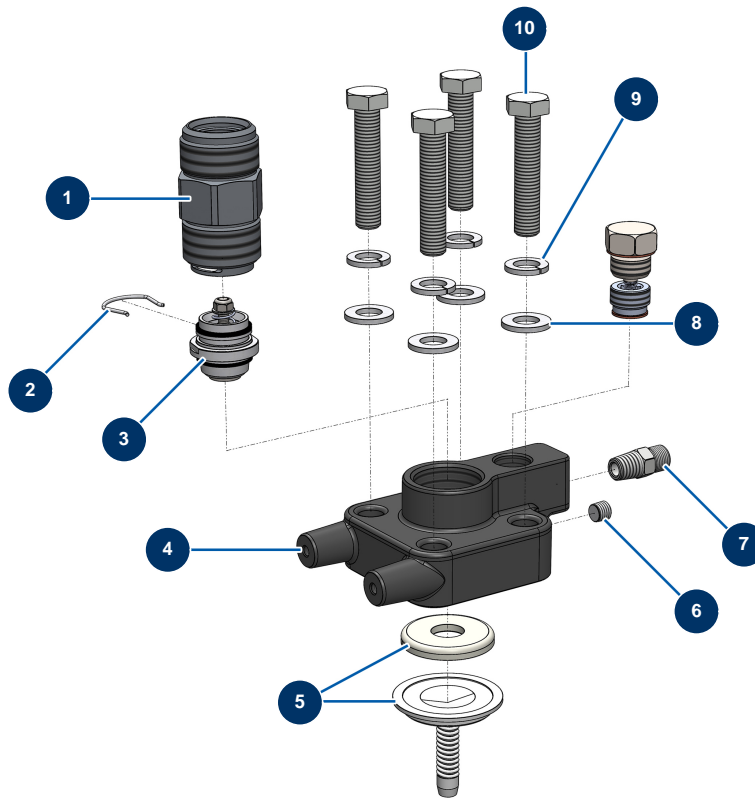


EUROSPRAY PULSE airless diaphragm pump - Cylinder head



Détails des pièces

Pos.	Référence	Désignation
1	M10843	
2	51604	Valve retaining clip for EUROSPRAY PULSE diaphragm pump
3	15118	
4	51601	Cylinder head for EUROSPRAY PULSE diaphragm pump
5	51612	
6	51603	HP 1/8" M headless plug for EUROSPRAY PULSE diaphragm pump
7	80512	1/4" MaleC x 1/4" MaleD high-pressure nipple
8	30281	ø 12 inox narrow washer
9	12462	Grower washer ø 12
10	30263	THEF 12 x 60 screw