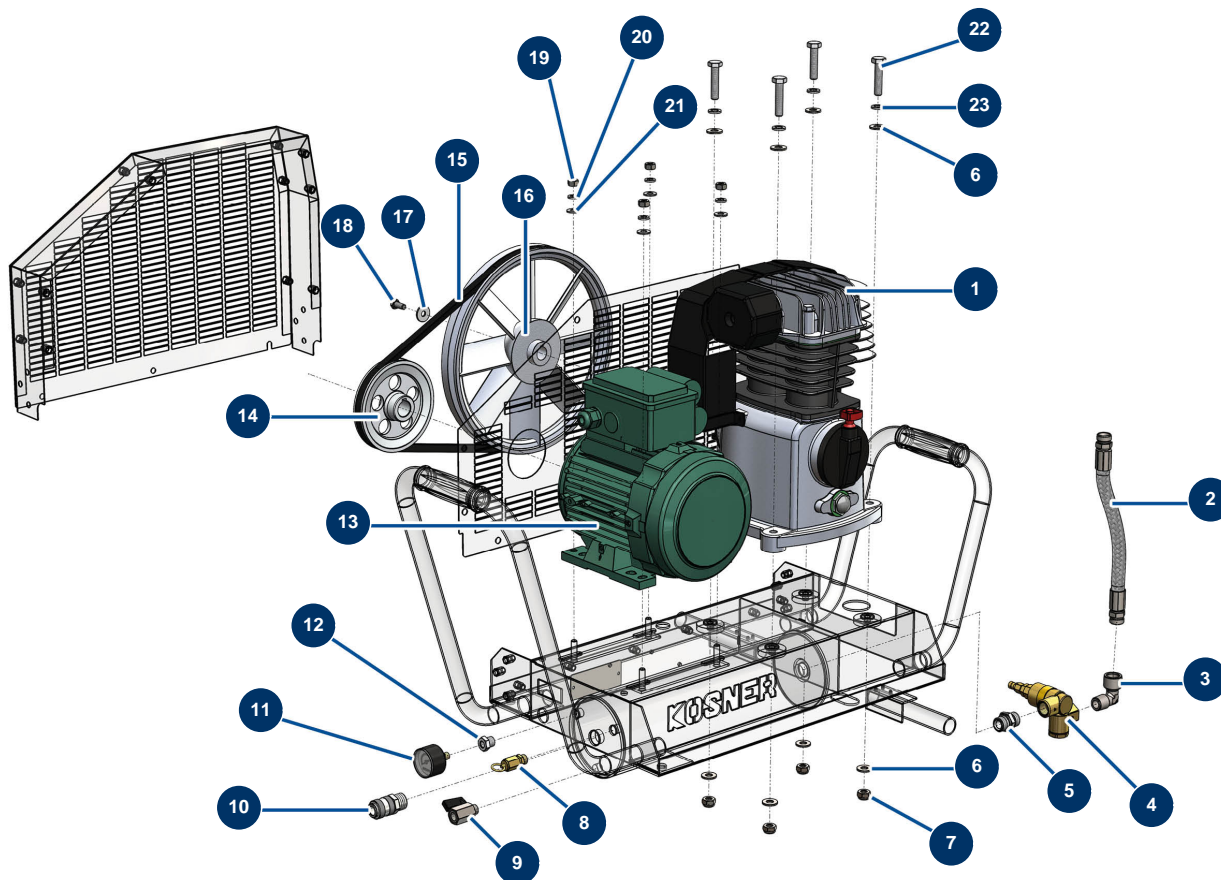


## KOSNER MX22 compressor - Air group



### Détails des pièces

Pos.	Référence	Désignation
1	K100311	KOSNER MX22 compression head
2		2
3	90483	Elbow BP 90° 1/2 MaleC x 1/2 FemaleD
4	80076	1/2" autonomous drain valve
5	90627	1/2" MaleD x 1/2" MaleD high-pressure nipple
6	80261	ø 10 inox medium washer
6	80261	ø 10 inox medium washer
7	13981	M 10 nylstop inox nut
8	80097	1/4" certified outer threaded safety valve 11 bar
9	30135	1/4" mini lux valve
10	K000457	
11	80023	Axial manometer 1/8 conical 40 mm 0 to 10 bar
12	20084	1/4" MaleD x 1/8" FemaleD high-pressure reduction

Pos.	Référence	Désignation
13	K100041	Foot mounted electric motor 2,4 kW - T90 - B3 - 2800 rpm - 230V
14	K100134	
15		15
16	30254	EUROPRO 68 head pulley
17	30292	ø 8 inox large washer
18	30273	THEF 8 x 20 screw
19	14075	M 8 inox nut
20	80269	Grower washer ø 8
21	80260	ø 8 inox medium washer
22	12441	THEF 10 x 45 screw
23	80270	Grower washer ø 10