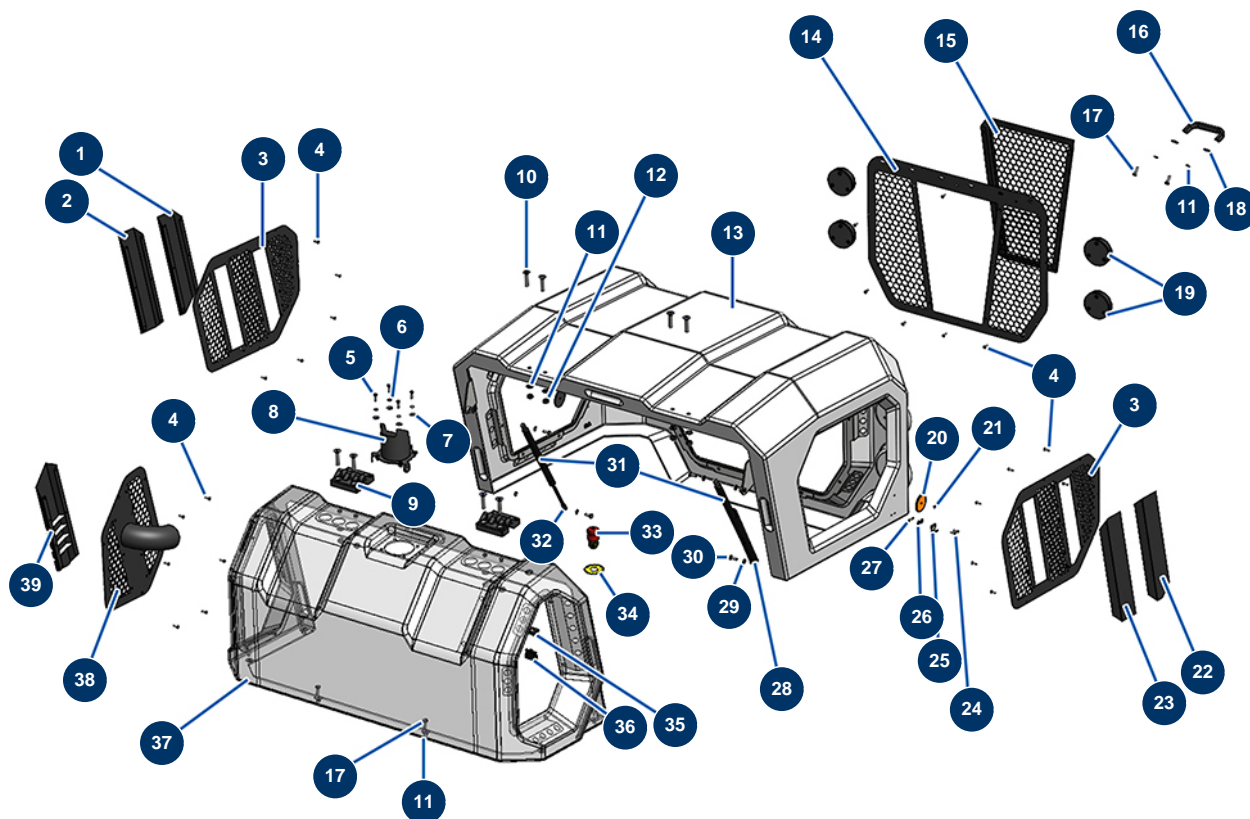


## X-PRO D200 liquid screed machine - Bodywork



### Détails des pièces

Pos.	Référence	Désignation
1	C23096	1
2	C23097	2
3	C23098	3
3	C23098	3
4	11735	Inox mushroom head screw M 5 x 16
4	11735	Inox mushroom head screw M 5 x 16
4	11735	Inox mushroom head screw M 5 x 16
5	14539	THEF 6 x 20 screw
6	80268	Grower washer Ø 6 - C.P 60
7	30291	ø 6 large washer
8	C23104	8
9	12797	Hood hinge - C.P 60
10	13260	22-500 complete 800 mm lance hose with handle and ST 45 M coupler

Pos.	Référence	Désignation
11	30292	ø 8 inox large washer
11	30292	ø 8 inox large washer
11	30292	ø 8 inox large washer
12	90127	M 8 nylstop nut
13	20636	Complete X-PRO D200 large model rear bonnet
14	C23093	14
15	C23092	15
16	20529	
17	11544	THEF 8 x 25 screw
17	11544	THEF 8 x 25 screw
18	80269	Grower washer ø 8
19	20426	19
20	12361	Round & orange reflector - C.P 60
21	12463	ø 5 x 16 aluminium POP rivet
22	C23094	22
23	C23095	23
24	90130	5 x 16 countersunk head screw
25	13111	Large hood locking adjustable locking clamp - C.P 60
26	30290	ø 5 large washer
27	70086	M 5 nylstop inox nut
28	14580	
29	30256	ø 8 inox narrow washer
30	30273	THEF 8 x 20 screw
31	20540	ø 10 gas spring for X-PRO D200 & X-SCREED movable cover
32	13240	
33	90727	Hook emergency stop button - CP 60
34	12824	Round sticker "Emergency stop" for CP 60
35	30036	3-contact U-bolt
36	30028	Green single closed contact
37	20637	Complete X-PRO D200 fixed front bonnet
38	C23100	38
39	C23099	39