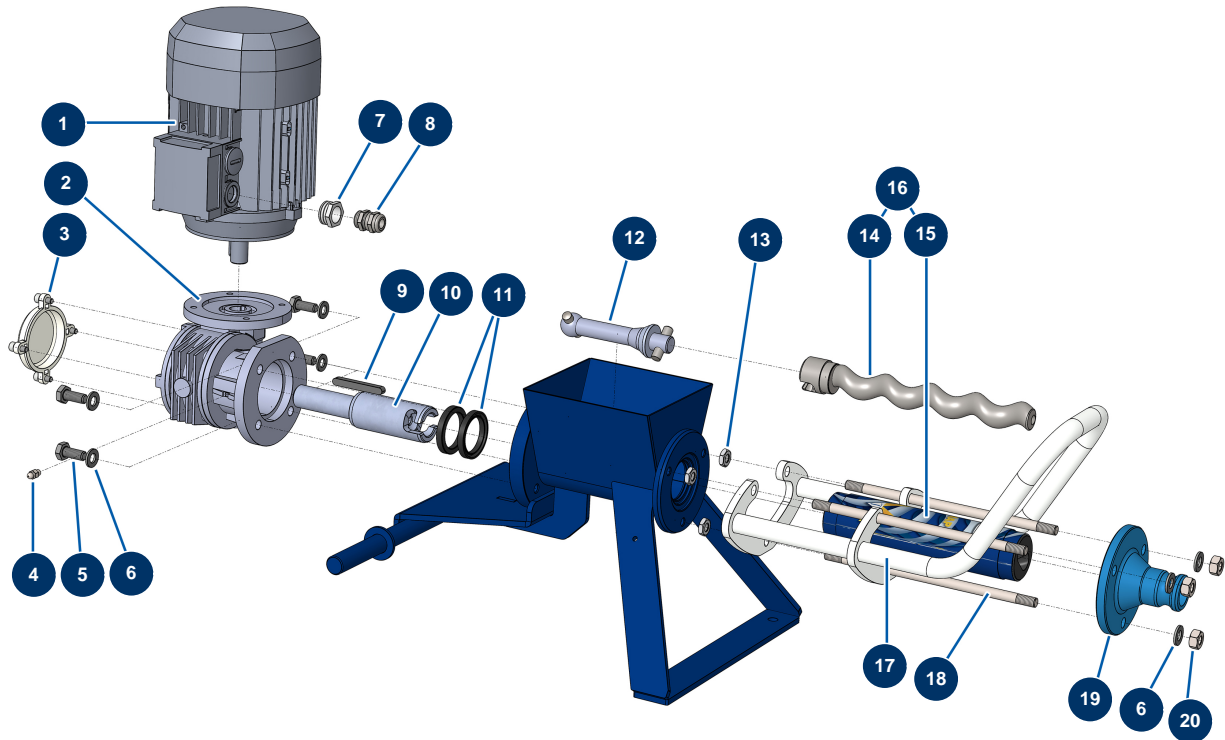


## DROPPRO 8P spraying machine - Transmission (from 01/2022)



### Détails des pièces

Pos.	Référence	Désignation
1	30043	Electric motor 1,1 kW - T80 - B14 - 1400 rpm - 400V
2	14498	Speed reducer 90° - T50 - R15 - B14/T90
3	10007	6 & 8 P gearing plastic cover
4	60012	M6 straight lubricator
5	30257	THEF 10 x 25 screw
6	30280	ø 10 inox narrow washer
6	30280	ø 10 inox narrow washer
7	80446	Cable gland reduction M 25-11
8	30040	Nickel plated watertight cable gland of 11 CEM
9	90749	8 x 7 x 65 parallel key with round end for 6P,8P,14P,7000z,9000z
10	M10645	Bayonet drive shaft for DROPPRO 8P, MINIJET 80
11	70062	Spi seal 40 x 52 x 7 for 4,6,8P, AG, MPE, 7000z, 9000z
12	M10649	Connecting rod for DROPPRO 8P, MINIJET 80

Pos.	Référence	Désignation
13	10140	M10 flat nut
14	MI7009107100	EUROPRO MAP 2 pump rotor
15	MI3F00529200	EUROPRO MAP 2 pump stator
16	30443	EUROPRO MAP 2 pump rotor/stator kit
17	C22982	DROPPRO & MINIJET pump handle
18	10034	Fixation tie rod for MAP 2/3
19	10010	Blue stator flange for EUROPRO 8P and 14P
20	13978	M10 inox nut