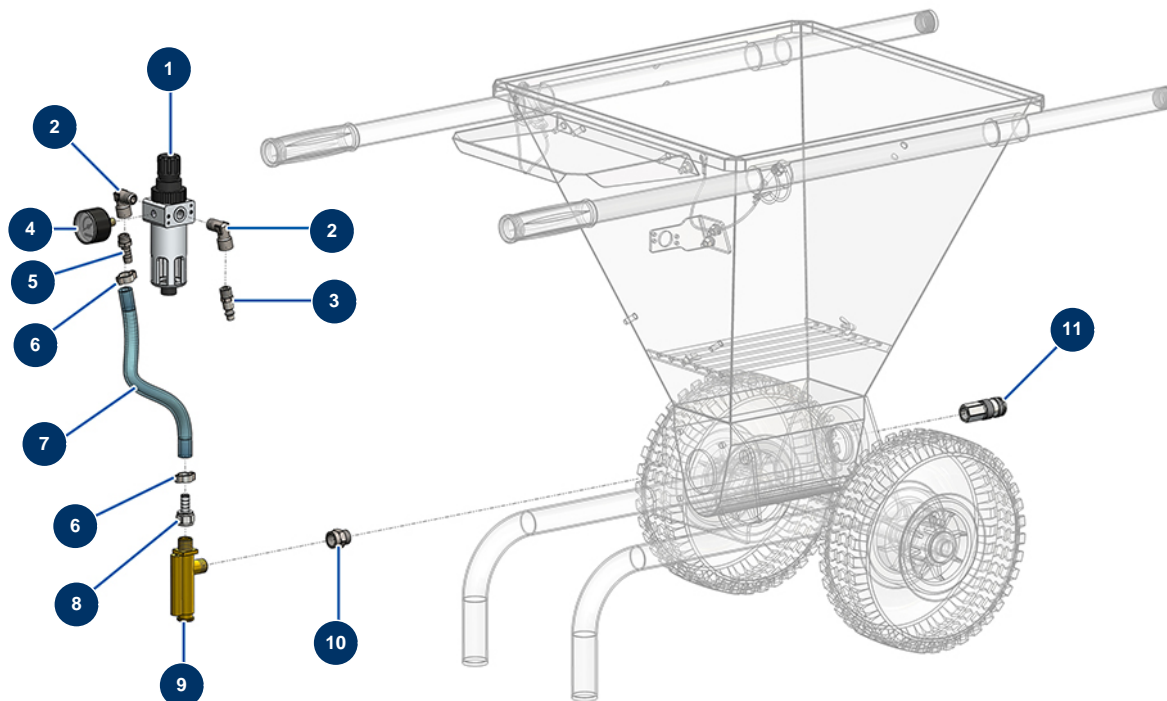


MK 20 - 230V complete spraying machine - Air circuit



Détails des pièces

Pos.	Référence	Désignation
1	90014	Superimposed 1/4" regulator filter
2	30121	90° low-pressure elbow 1/4 MaleC x 1/4 FemaleD
2	30121	90° low-pressure elbow 1/4 MaleC x 1/4 FemaleD
3	80089	Male quick fit coupling outer threaded 1/4" Ø 6
4	80023	Axial manometer 1/8 conical 40 mm 0 to 10 bar
5	80094	1/4" corrugated outer threaded coupling Ø 10
6	80429	Ear clamp 15 x 18
6	80429	Ear clamp 15 x 18
7	50003	Clear braided PVC hose Ø 10 x 16 by the metre
8	70066	Rotating connector 3/8" corrugated Ø 10
9	30005	Flowmeter for EUROPRO 4-6-8-14 and 24 P
10	91053	3/8" MaleD x 3/8" FemaleD low-pressure nipple
11	12007	F ball bearing quick-fit attachment 200 bars 3/8 F