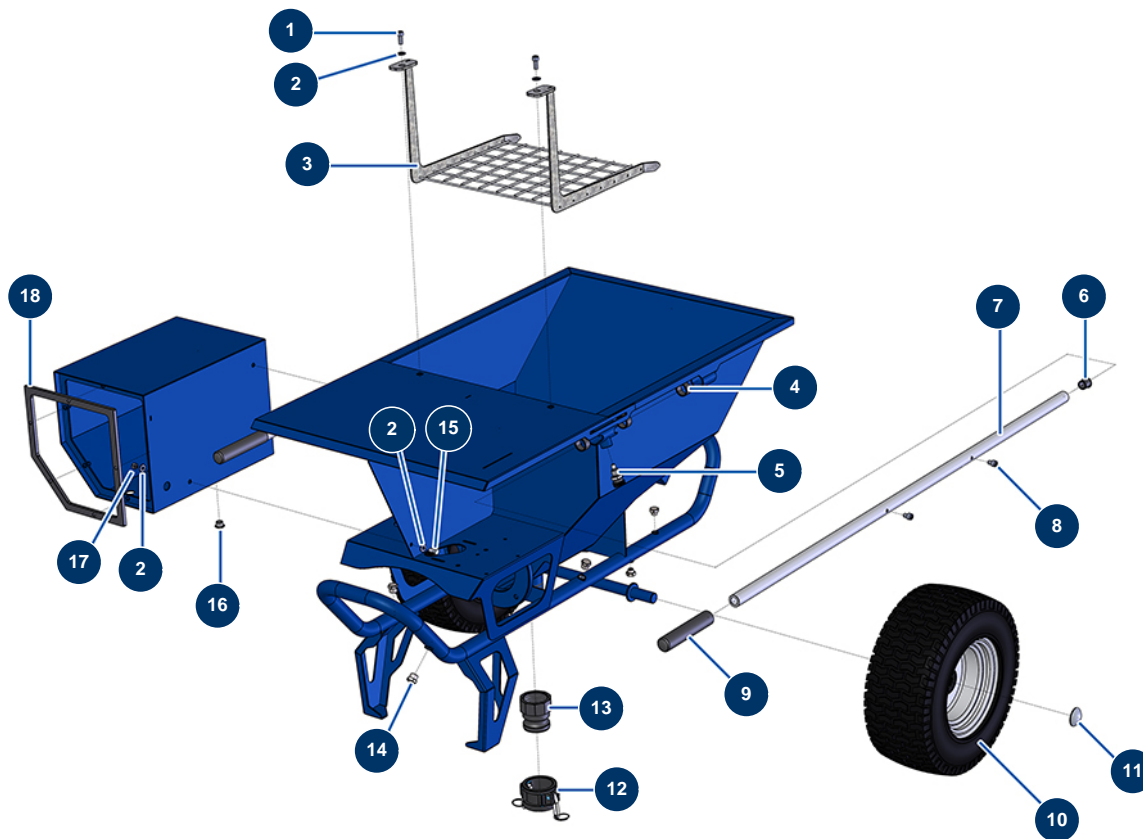


COMPACT-PRO 50 liquid screed machine - Chassis



Détails des pièces

Pos.	Référence	Désignation
1	80470	8 x 20 cylindrical head screw
2	80260	ø 8 inox medium washer
2	80260	ø 8 inox medium washer
2	80260	ø 8 inox medium washer
3	11379	COMPACT-PRO 30, 35, 40 & 50 machine safety grid
4	13453	Cylindrical bearing 26/30 x 16
5	15010	Complete indexing pin for arm
6	90870	Black plastic end cap for ø 25 round tube
7	C21327	COMPACT-PRO 30 to 55 machine arm from March 2020
8	90151	8 x 10 cylindrical head screw
9	90255	Arm handle for EUROPRO 24P, E50 and E100
10	80372	Complete Ø410 wheel with bearing - axle of 25
11	90282	Ø25 chromed clip

Pos.	Référence	Désignation
12	11397	POLYPRO 2" female plug with cams for COMPACT-PRO 30
13	11396	POLYPRO 2" inner threaded adapter for COMPACT-PRO 30
14	90238	3/8" low-pressure male plug
15	30295	THEF 8 x 16 screw
16	11327	Cable gland locknut of M16
17	13980	M 8 nylstop inox nut
18	11361	EUROPRO COMPACT-PRO 30 electric box gasket