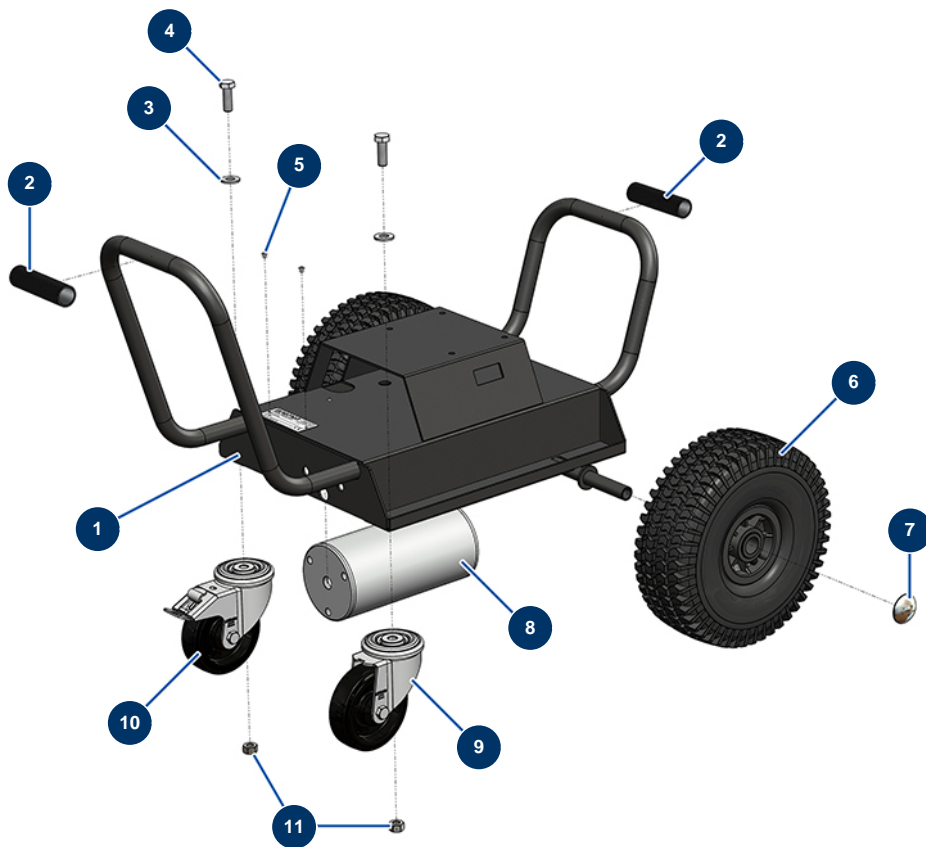


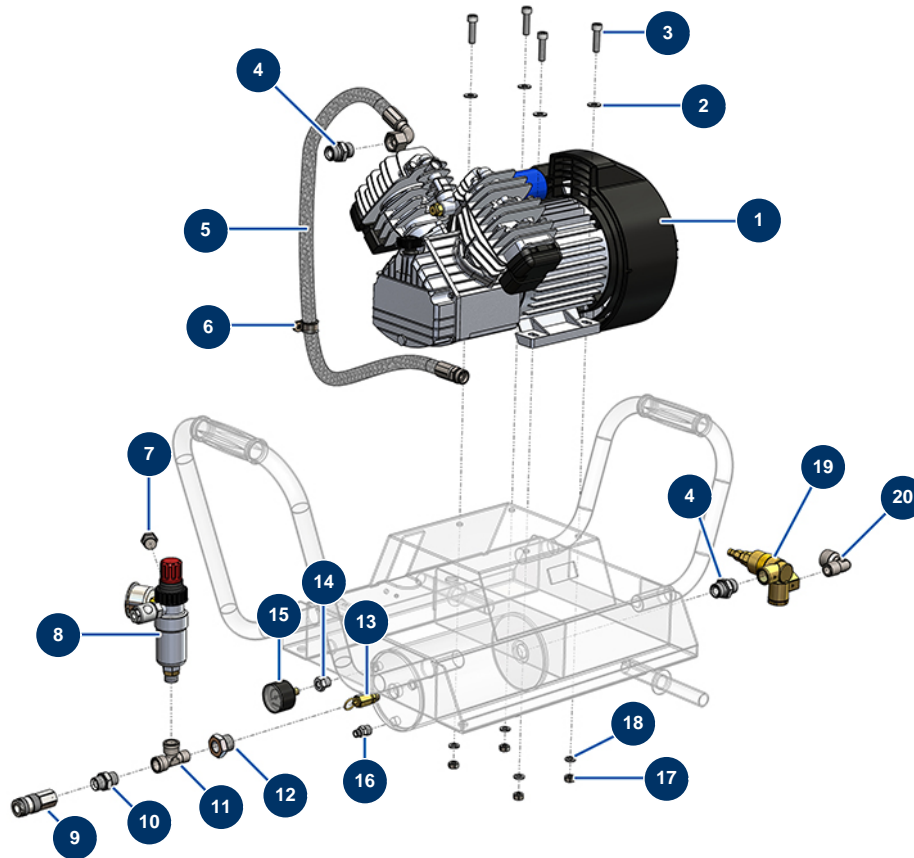
KOSNER MX18 compressor - Chassis



Détails des pièces

| Pos. | Référence | Désignation |
|------|-----------|--|
| 1 | C23425 | 1 |
| 2 | 90255 | Arm handle for EUROPRO 24P, E50 and E100 |
| 2 | K100047 | |
| 3 | 14102 | ∅ 12 inox medium washer |
| 4 | K000211 | |
| 5 | 70072 | ∅ 4 x 10 waterproof POP rivet |
| 6 | K008157 | |
| 7 | 90282 | ∅25 chromed clip |
| 8 | C23417 | 8 |
| 9 | K008348 | |
| 10 | K008347 | |
| 11 | 30071 | Nut M 12 |

KOSNER MX18 compressor - Air circuit

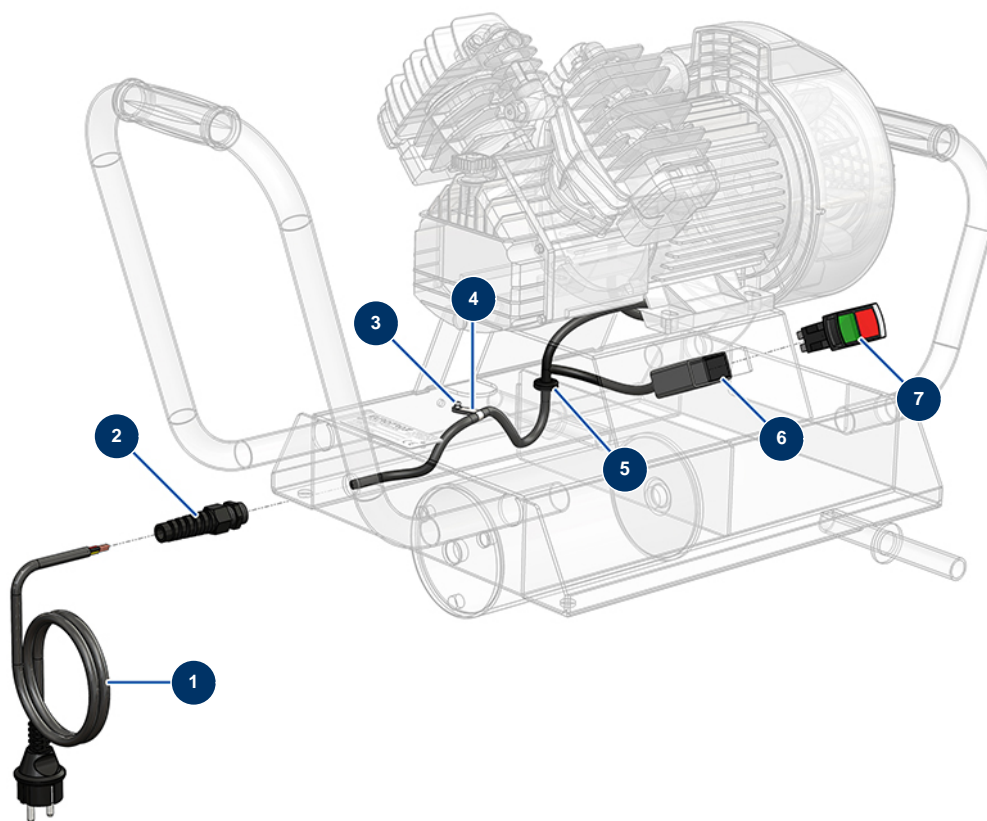


Détails des pièces

| Pos. | Référence | Désignation |
|------|-----------|--|
| 1 | 30154 | Compression head for EUROPRO 30 and 30+ |
| 2 | 80260 | ø 8 inox medium washer |
| 3 | 90536 | 8 x 30 cylindrical head screw |
| 4 | 90627 | 1/2" MaleD x 1/2" MaleD high-pressure nipple |
| 4 | 90627 | 1/2" MaleD x 1/2" MaleD high-pressure nipple |
| 5 | | 5 |
| 6 | 13179 | ø 20 cable collar - CP 60 |
| 7 | 90238 | 3/8" low-pressure male plug |
| 8 | K200083 | |
| 9 | 12007 | F ball bearing quick-fit attachment 200 bars 3/8 F |
| 10 | 90698 | 3/8" MaleD x 3/8" MaleD high-pressure nipple |
| 11 | 12530 | M3/8" x F3/8" x F3/8" low pressure T |
| 12 | 12895 | 3/8" FemaleD x 1/2" MaleD high-pressure nipple |

| Pos. | Référence | Désignation |
|------|-----------|---|
| 13 | 80097 | 1/4" certified outer threaded safety valve 11 bar |
| 14 | 20084 | 1/4" MaleD x 1/8" FemaleD high-pressure reduction |
| 15 | 80023 | Axial manometer 1/8 conical 40 mm 0 to 10 bar |
| 16 | 30133 | 1/4" male compressor tank purge |
| 17 | 14075 | M 8 inox nut |
| 18 | 80269 | Grower washer ø 8 |
| 19 | 80076 | 1/2" autonomous drain valve |
| 20 | 90483 | Elbow BP 90° 1/2 MaleC x 1/2 FemaleD |

KOSNER MX18 compressor - Electrical circuit



Détails des pièces

| Pos. | Référence | Désignation |
|------|-----------|-------------------------------|
| 1 | K008370 | |
| 2 | 90601 | 11 black spiral cable gland |
| 3 | 70072 | ø 4 x 10 waterproof POP rivet |
| 4 | 90266 | Cable support Ø 7.9 |
| 5 | K000514 | |
| 6 | K100318 | |
| 7 | K008522 | |