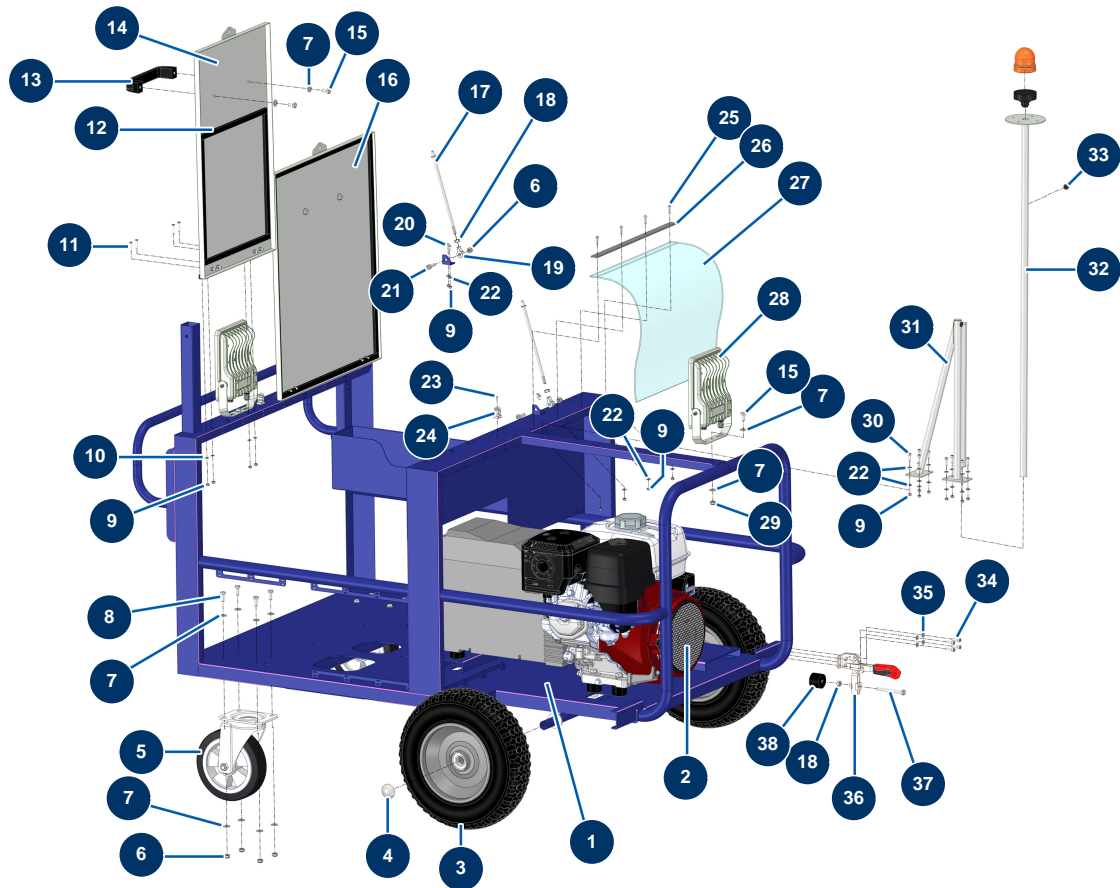


TWINMIX two-component dosing machine - Chassis



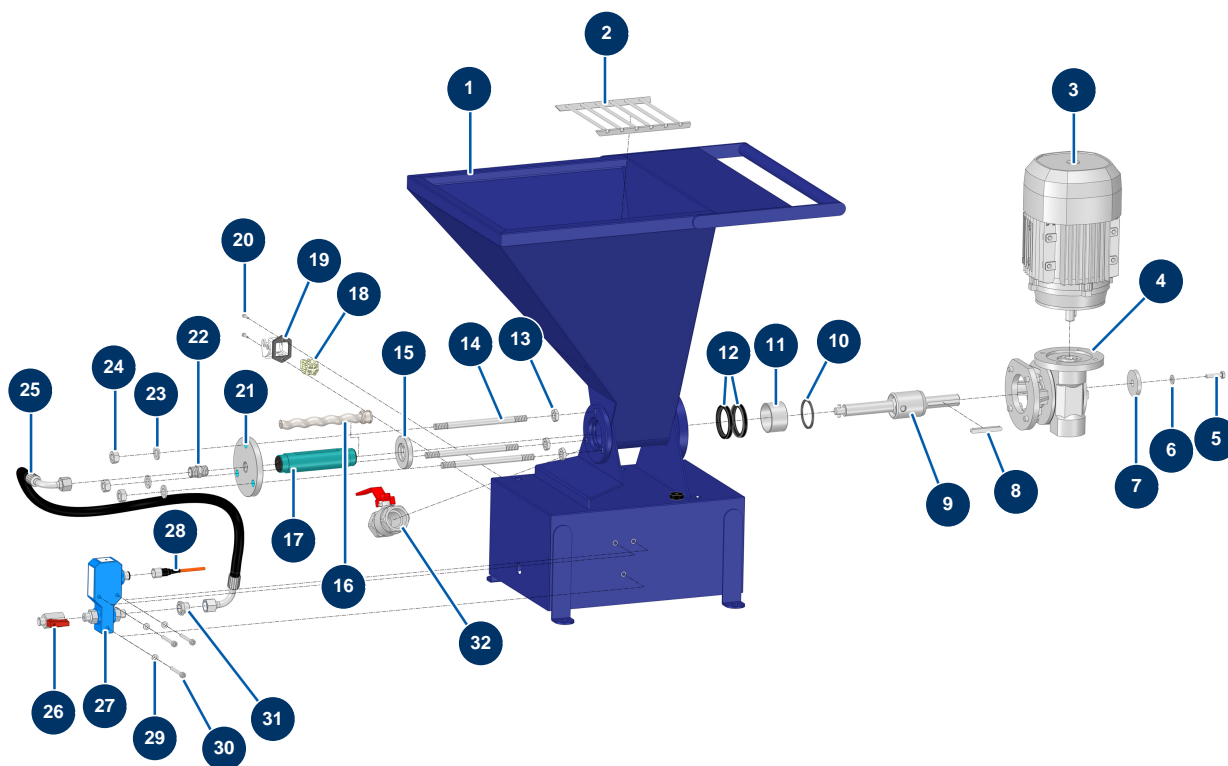
Détails des pièces

Pos.	Référence	Désignation
1	C24024	1
2	14936	Petrol motor HONDA GX 390UT2-QN-R2-0H, electric start, 18 A
3	80351	Complete Ø400 wheel with bearing - axle of 25
4	90282	Ø25 chromed clip
5	MI3F00300902	Pivot wheel without brake
6	90127	M 8 nylstop nut
6	90127	M 8 nylstop nut
7	80260	ø 8 inox medium washer
7	80260	ø 8 inox medium washer
7	80260	ø 8 inox medium washer
7	80260	ø 8 inox medium washer
7	80260	ø 8 inox medium washer
8	30273	THEF 8 x 20 screw

Pos.	Référence	Désignation
9	11880	M 5 nylstop nut
9	11880	M 5 nylstop nut
9	11880	M 5 nylstop nut
9	11880	M 5 nylstop nut
10	70085	ø 5 narrow washer
11	12121	5 x 25 countersunk head screw
12		12
13	1042523	CP 60 grid handle
14	C24031	14
15	30295	THEF 8 x 16 screw
15	30295	THEF 8 x 16 screw
16	C24033	16
17	C24060	17
18	14075	M 8 inox nut
18	14075	M 8 inox nut
19	13240	
20	15097	5 x 10 inox cylindrical pan head screw
21	12783	8 x 25 cylindrical head screw
22	11737	ø 5 inox medium washer
22	11737	ø 5 inox medium washer
22	11737	ø 5 inox medium washer
23	12232	ø 3,2 x 11 POP rivet
24	80585	
25	20290	5 x 20 10.9 cylindrical head screw
26	C24110	26
27	MI4920001010	MIXPRO 28 compressor protection plastic
28	15341	
29	13980	M 8 nylstop inox nut
30	90160	5 x 16 cylindrical head screw
31	C24043	31
32		32
33	13399	Ø6 rubber grommet
34	90996	6 x 20 inox cylindrical head screw
35	70087	ø 6 inox narrow washer

Pos.	Référence	Désignation
36	12142	MIXPRO 100 product trapdoor locking clamp
37	14930	THEF 8 x 80 screw
38	13963	Ø40 x 30 stop - M8 inner thread

TWINMIX two-component dosing machine - Hardener machine

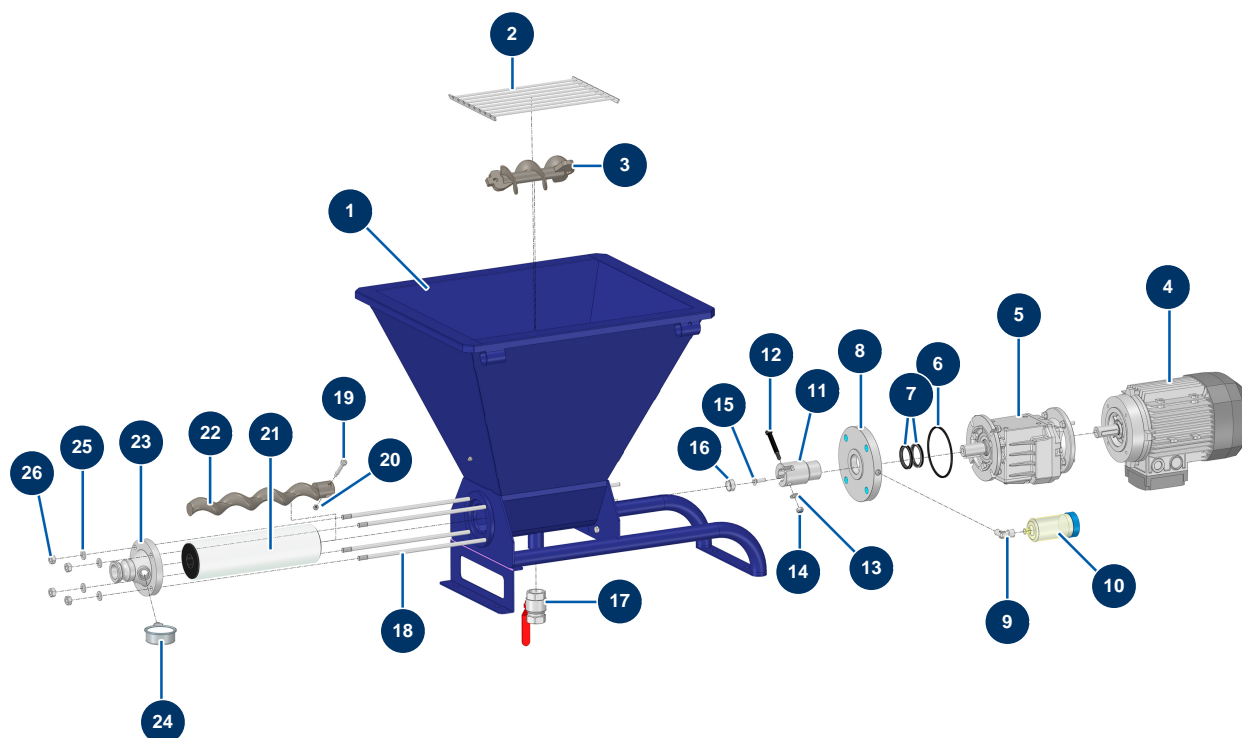


Détails des pièces

Pos.	Référence	Désignation
1	C24039	1
2	C24041	2
3	30008	Electric motor 0,55 kW - T71 - B14 -1400 rpm - 400V
4	30042	Speed reducer 90° - T40 - R30 - B14/T71
5	14218	THEF 6 x 25 inox screw
6	80259	Ø 6 medium washer
7	C22885	7
8	90751	6 x 6 x 50 parallel key with round end for 4P
9	15329	Drive shaft for TWINMIX 4 P
10	30351	EUROPRO 4 P grease cage gasket
11	60011	EUROPRO 4 P grease cage
12	70062	Spi seal 40 x 52 x 7 for 4,6,8P, AG, MPE, 7000z, 9000z
13	13979	M10 flat inox nut

Pos.	Référence	Désignation
14	M10914	
15	M10916	
16	MI7009265200	
17	MI3F00509800	EUROPRO MAP 12 VITON pump stator RAL9005
18	11914	Female insert 4p + G
19	11915	Blowing machine insulating support 3 p + T - 1 lever
20	12249	3 x 12 cylindrical head screw
21	M10917	
22	30367	3/8" MaleC x 3/8" MaleC low-pressure nipple
23	30280	ø 10 inox narrow washer
24	13978	M10 inox nut
25	15383	
26	30135	1/4" mini lux valve
27	15322	
28	12409	M12 straight female connector with 2m cable
29	70085	ø 5 narrow washer
30	11881	Sander head screw M5 x 40
31	90242	3/8" MaleC x 1/4" FemaleD low-pressure reduction
32	70031	Drain valve for EUROPRO 4-6-8-14 P, MPE, AG, 7000z, 9000z

TWINMIX two-component dosing machine - Paint machine

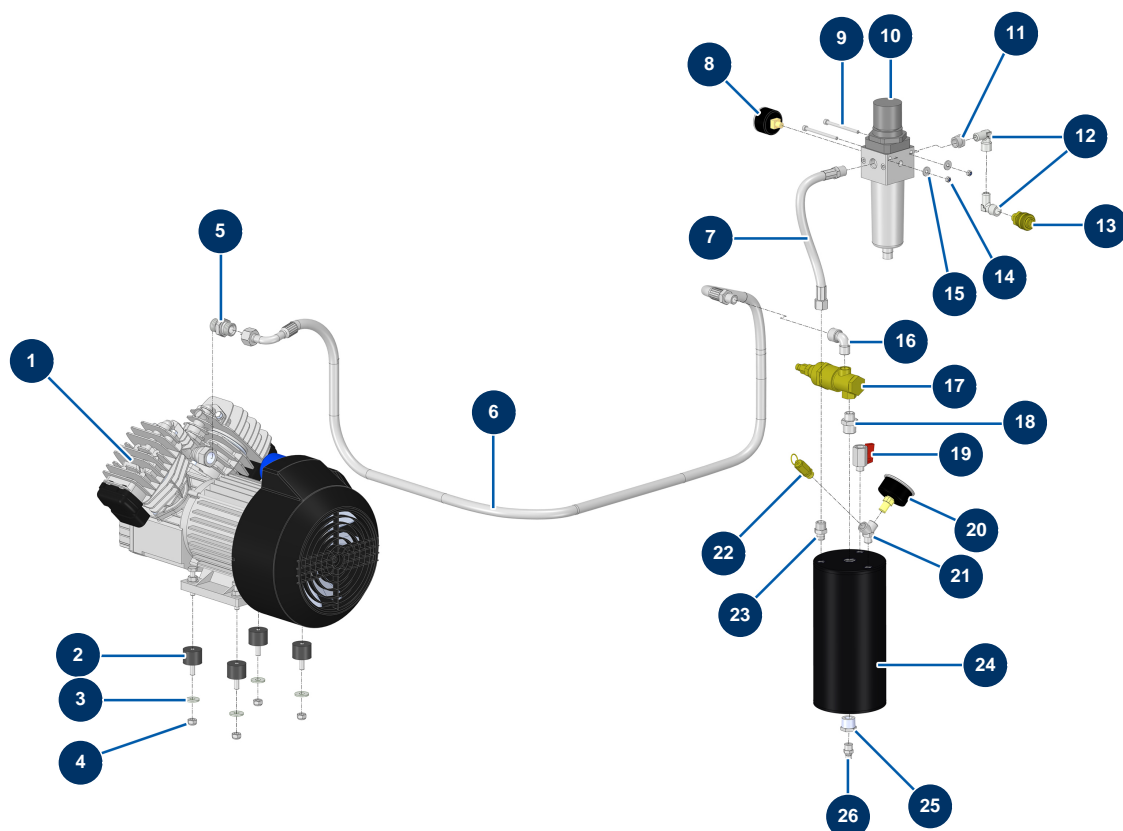


Détails des pièces

Pos.	Référence	Désignation
1	C24038	1
2	C23485	
3	C23616	
4	30044	Electric motor 1,85 kW - T90 - B14 - 1400 rpm - 400V
5	15155	Coaxial speed reducer - T412A - R18,04 - B14/T90
6	13692	CP25 motor flange seal
7	70062	Spi seal 40 x 52 x 7 for 4,6,8P, AG, MPE, 7000z, 9000z
8	M10510	CP25 motor flange
9	30121	90° low-pressure elbow 1/4 MaleC x 1/4 FemaleD
10	90639	Automatic greaser
11	M10811	Drive shaft for CP 25 CLASSIC V3
12	11359	CP 30 transmission shaft screw pin
13	80260	ø 8 inox medium washer

Pos.	Référence	Désignation
14	13980	M 8 nylstop inox nut
15	14186	15
16	M10103	
16	M10103	
17	70031	Drain valve for EUROPRO 4-6-8-14 P, MPE, AG, 7000z, 9000z
18	K008040	
19	90520	CP 30 rotor screw pin
20	14217	M 6 nylstop inox nut
21	MI3F00660000	KOSNER MK80 EPDM 70SH pump stator
22	MI7009501400	KOSNER MK 80 pump rotor
23	C24061	23
24	MI3G00100301	
25	30280	ø 10 inox narrow washer
26	13978	M10 inox nut

TWINMIX two-component dosing machine - Air circuit

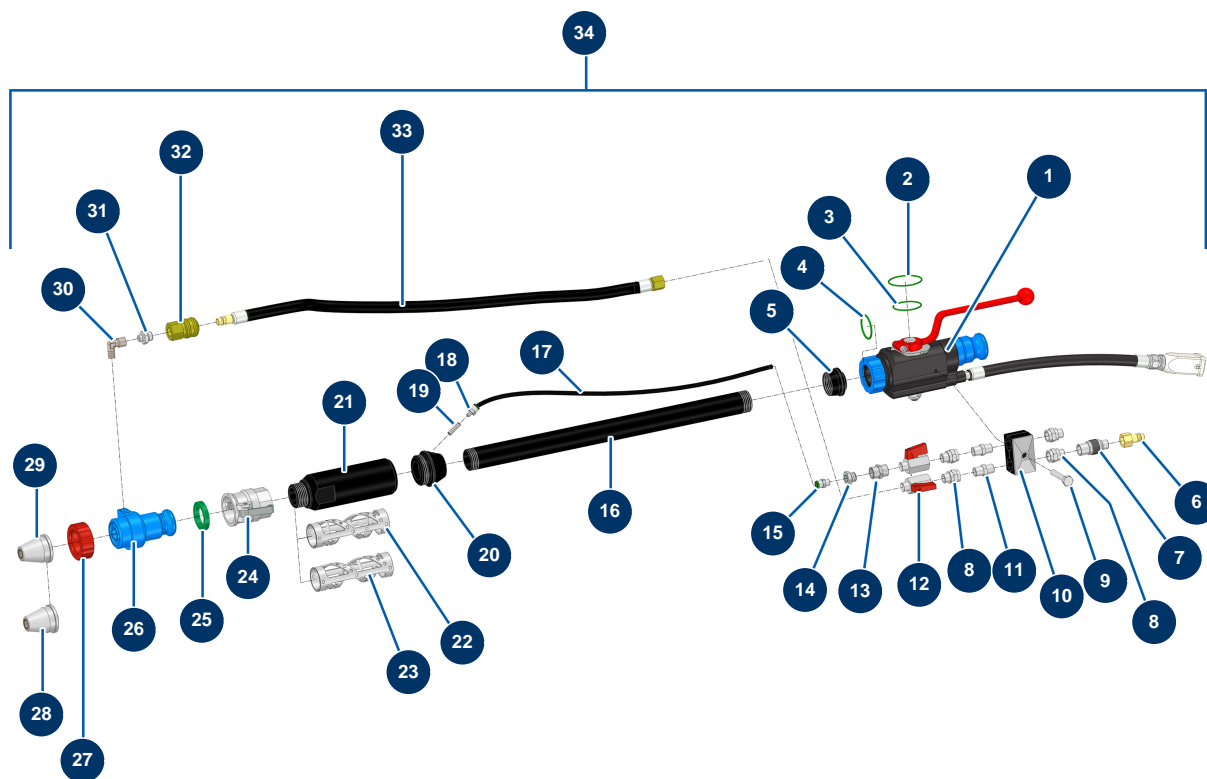


Détails des pièces

Pos.	Référence	Désignation
1	30154	Compression head for EUROPRO 30 and 30+
2	30151	Silentbloc ø 30 x 22 M-F8
3	30292	ø 8 inox large washer
4	90127	M 8 nylstop nut
5	90627	1/2" MaleD x 1/2" MaleD high-pressure nipple
6	10229	ø 12 galvanised braided hose
7	10228	
8	80023	Axial manometer 1/8 conical 40 mm 0 to 10 bar
9	12447	5 x 70 cylindrical head screw
10	90756	Superimposed 3/8" regulator filter
11	90242	3/8" MaleC x 1/4" FemaleD low-pressure reduction
12	30121	90° low-pressure elbow 1/4 MaleC x 1/4 FemaleD
13	70016	1/4" outer threaded female quick fit coupling

Pos.	Référence	Désignation
14	11880	M 5 nylstop nut
15	30290	ø 5 large washer
16	30120	Elbow BP 90° 3/8 MaleC x 3/8 FemaleD
17	101015	3/8" emptying autonomous valve
18	80339	3/8" MaleC x 1/2" MaleC low-pressure nipple
19	30135	1/4" mini lux valve
20	80028	1/4 conical axial manometer - 50mm - 0 to 20 bar
21	30123	Low pressure Y - M1/4" x F1/4" x F1/4"
22	80097	1/4" certified outer threaded safety valve 11 bar
23	91019	1/4" MaleD x 3/8" MaleD low-pressure nipple
24	C21080	24
25	12731	1/4" FemaleD x 1/2" MaleD high-pressure nipple
26	30133	1/4" male compressor tank purge

TWINMIX two-component dosing machine - Spraying group

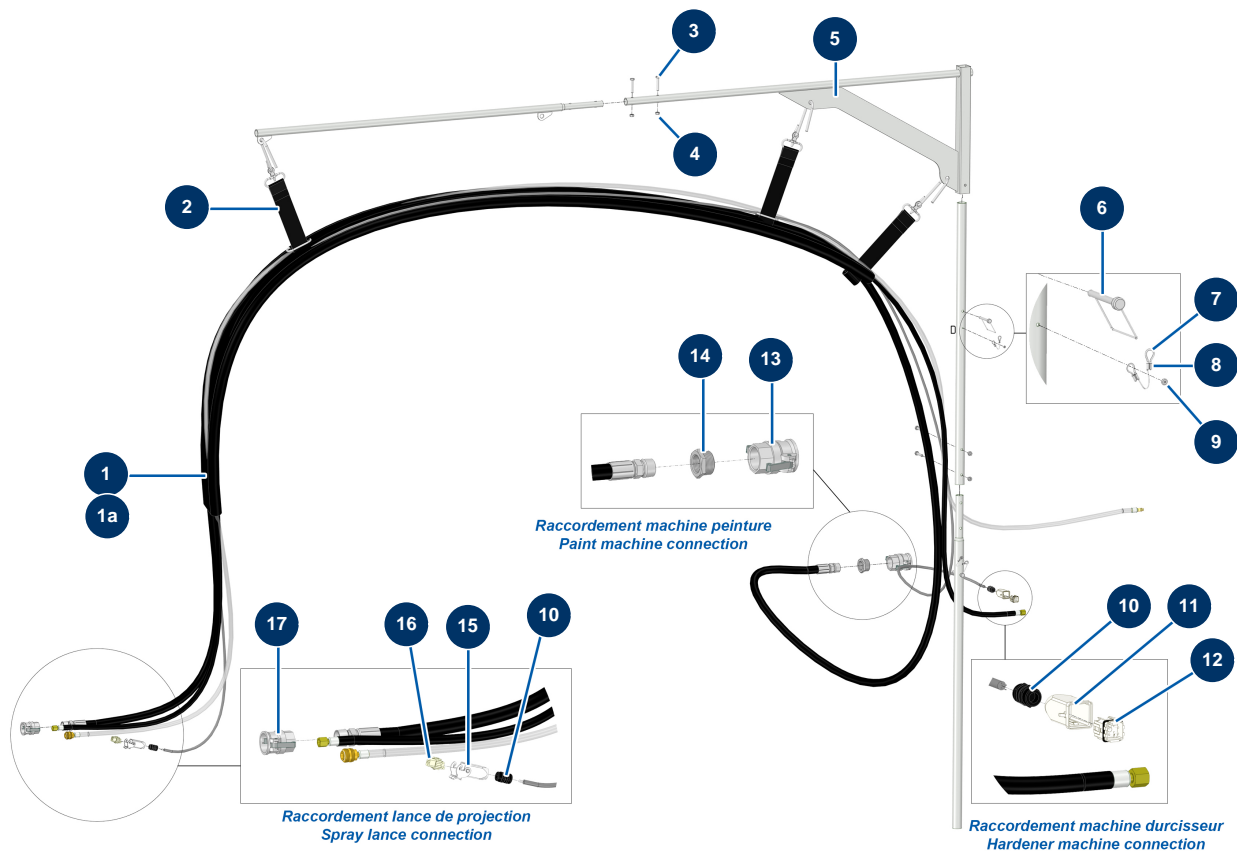


Détails des pièces

Pos.	Référence	Désignation
1	12020	MIXPRO 14 & 28 floor screed ABS spraying lance
2	15475	FKM 80sh O-ring 43 x 2
3	15474	FKM 80sh O-ring 36 x 2
4	15473	FKM 80sh O-ring 30 x 2,5
5	M10932	
6	70046	1/4" inner threaded male quick fit coupling
7	20008	Air adjustment tap 1/4" M x 1/4" F
8	90773	1/4" MaleD x 1/4" FemaleD low-pressure nipple
8	90773	1/4" MaleD x 1/4" FemaleD low-pressure nipple
9	11798	THEF 8 x 45 screw
10	13310	
11	70027	1/4" MaleC x 1/4" MaleC low-pressure nipple
12	30135	1/4" mini lux valve

Pos.	Référence	Désignation
13	80653	1/4" FemaleD x 1/4" FemaleD low-pressure nipple
14	90240	1/4" MaleC x 1/8" FemaleD low-pressure reduction
15	91038	Legris straight coupling M1/8 Ø 6
16	M10934	
17	30403	Calibrated polyurethane tube ø 4 x 6 black by the metre
18	15458	
19	M10935	19
20	M10933	
21	M10909	
22	C24059	
23	C24058	
24	70007	1" camlock alu coupling, inner threaded 1" for 6, 8, 14 & 24P
25	15443	
26	M10483	
27	10031	Aluminium lance ring red
28	10052	Grey nozzle Ø 12mm
29	10050	Grey nozzle Ø 10mm
30	91169	Elbow BP 90° 1/8 MaleC x 1/8 FemaleD
31	11110	1/8" MaleC x 1/4" MaleC low-pressure nipple
32	70017	1/4" inner threaded female quick fit coupling
33	15343	
34	K000037	

TWINMIX two-component dosing machine - Mast and piping

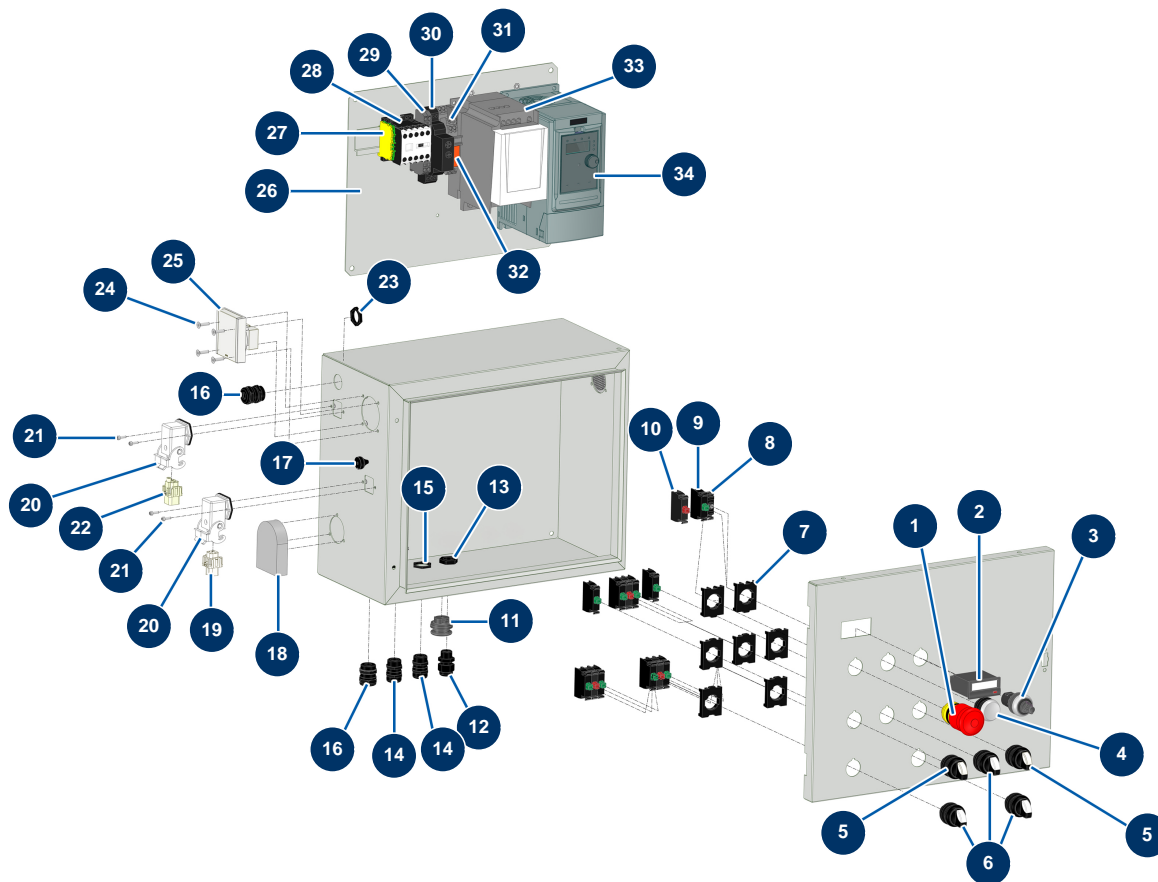


Détails des pièces

Pos.	Référence	Désignation
1	15342	
1a	14267	
2	30440	Suspension strap for air/product hose
3	11798	THEF 8 x 45 screw
4	90440	M 8 zinc plated nut
5	10756	5
6	15304	
7	12031	
8	12032	
9	14790	ø 4 x 14 aluminium POP rivet
10	30082	Nickel plated watertight cable gland of 11
10	30082	Nickel plated watertight cable gland of 11
11	11916	Blowing machine insulating cover 3 p + T

Pos.	Référence	Désignation
12	11913	Blowing machine male insert 4 p + T
13	70006	1"1/4 camlock alu coupling, inner threaded 1"1/4 for 24P
14	80157	1"1/4 MaleC x 1" FemaleD low-pressure reduction
15	11966	Blowing machine 1 lever insulating cover 3 p + T
16	11914	Female insert 4p + G
17	70007	1" camlock alu coupling, inner threaded 1" for 6, 8, 14 & 24P

TWINMIX two-component dosing machine - Electrical box



Détails des pièces

Pos.	Référence	Désignation
1	90727	Hook emergency stop button - CP 60
2	11968	
3	80645	Spraying machine complete potentiometer from MARCH 2003
4	30035	Impulse transparent indicator button
5	30025	2-position button
5	30025	2-position button
6	90731	3-position button
7	30036	3-contact U-bolt
8	14665	Led Bulb 24 VDC multicoloured
9	30028	Green single closed contact
10	30356	Red single open contact
11	12022	Box door shutter button
12	1002837	PG 09 watertight cable gland

Pos.	Référence	Désignation
13	1002838	PG 9 cable gland nut
14	30082	Nickel plated watertight cable gland of 11
14	30082	Nickel plated watertight cable gland of 11
15	30060	11mm cable gland nut
16	80448	M 20 waterproof cable gland
16	80448	M 20 waterproof cable gland
17	11563	M 12 grey rubber cable gland
18	K008274	
19	11912	Blowing machine female insert 3 p + T
20	12543	Insulating bend socket base 3p + G - 1 lever
20	12543	Insulating bend socket base 3p + G - 1 lever
21	310011	3 x 10 cylindrical head screw
21	310011	3 x 10 cylindrical head screw
22	11914	Female insert 4p + G
23	11197	M 20 cable gland nut
24	13912	4 x 16 countersunk head screw
25	90489	2P recessed socket + t with grey valve
26	C23463	26
27	30038	Yellow and green conductive block 6 mm ²
28	30011	230 Volt coil switch for sprayer
29	80482	Grey conductor block 6 mm ²
30	MI3C03750400	Timer 2 delayed threads 24/230AC/DC
31	12751	Plug-in miniature relay base
32	13140	Miniature plug-in relay 24V VDC - 2RT
33	12098	Inverter 230 V - 0,55 KW
34	80459	Inverter 230 V - 2.2 KW