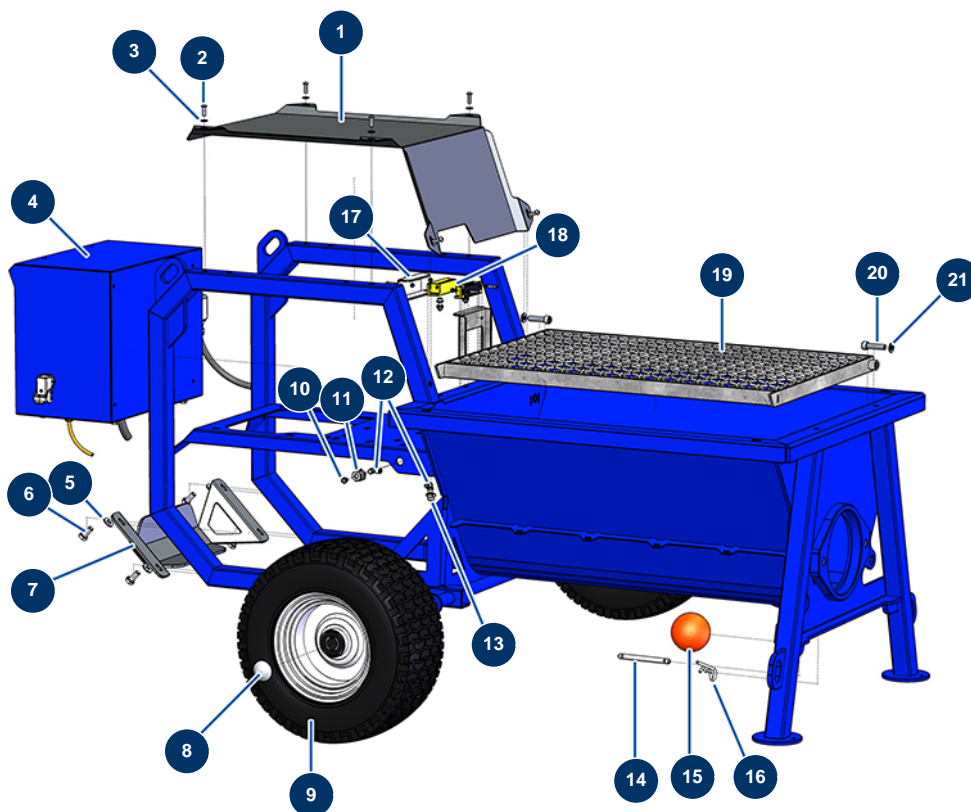


COMPACT PRO 55 TRI + MIXPRO 130 spraying set - 400V TETRA - Chassis

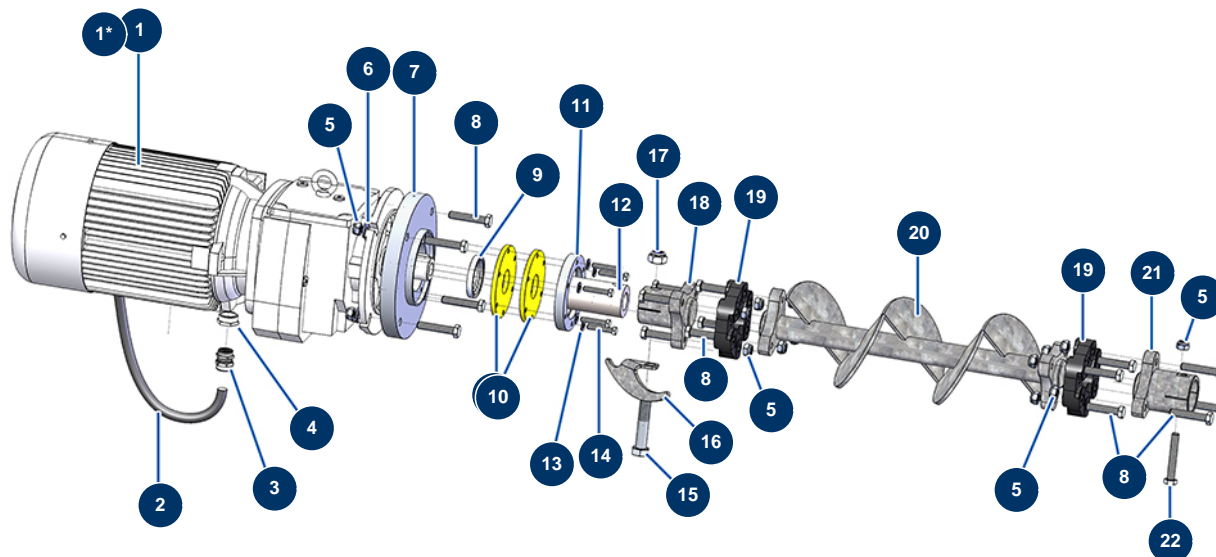


Détails des pièces

Pos.	Référence	Désignation
1	C22869	1
2	12110	6 x 20 inox cylindrical pan head screw
3	80259	Ø 6 medium washer
4	20140	Complete buttons electrical box for COMPACT-PRO E55 - 400V TETRA
5	80260	ø 8 inox medium washer
6	11544	THEF 8 x 25 screw
7	C22877	7
8	90282	Ø25 chromed clip
9	80372	Complete Ø410 wheel with bearing - axle of 25
10	20044	1/8" M straight lubricator
11	20159	
12	30124	Corrugated Legris coupling M1/8" Ø 6
13	20084	1/4" MaleD x 1/8" FemaleD high-pressure reduction

Pos.	Référence	Désignation
14	20060	
15	20048	Cleaning ball ø 100
16	20046	4 mm R pin
17	C22878	17
18	12120	Grid safety sensor for JETMIX, MIXPRO 14, 70 & 100
19	C22882	19
20	12522	10 x 40 cylindrical head screw
21	30280	ø 10 inox narrow washer

COMPACT PRO 55 TRI + MIXPRO 130 spraying set - 400V TETRA - Transmission



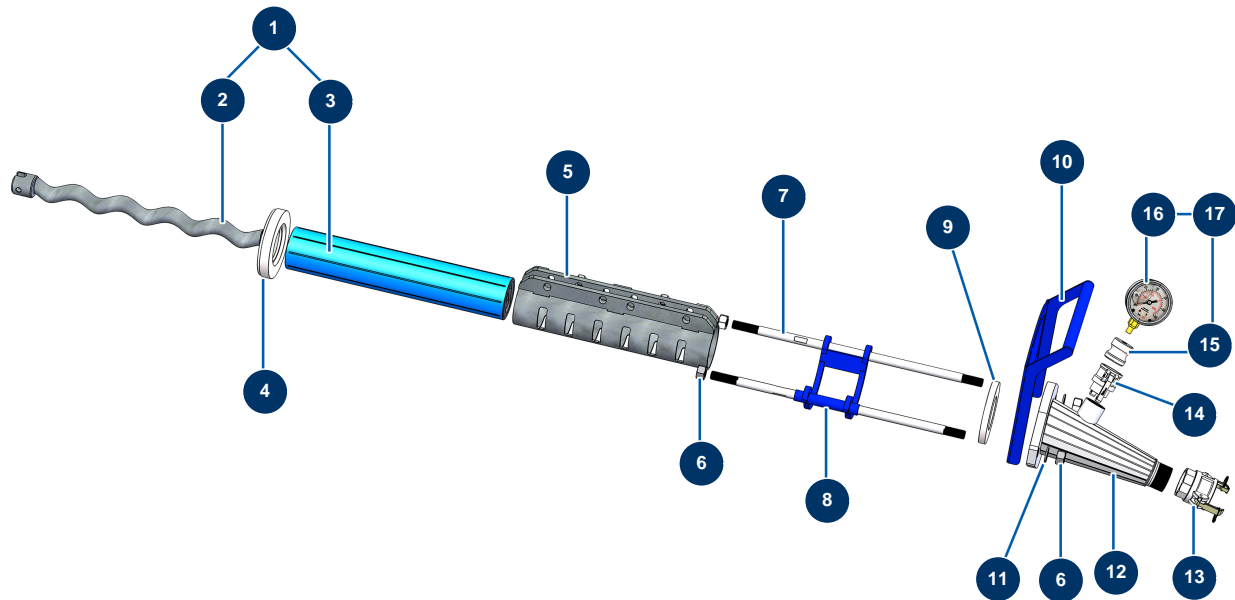
**Pièces pour modèles jusqu'à décembre 2022. / Parts for models until December 2022. *Parti per modelli fino a dicembre 2022.
 *Piezas para modelos hasta diciembre de 2022. / *Teile für Modelle bis Dezember 2022.*

Détails des pièces

Pos.	Référence	Désignation
1	14097	Geared motor 5,5 kW - T112 - R7,42 - 1 400 rpm - 400V
1*	20022	Geared motor 7,5 kW - T132 - R10 - 1400 rpm - 400V
2	20041	H07RNF 4G4 electrical cable by the metre
3	20043	M 25 grey plastic cable gland
4	12814	Cable gland reduction M 32-25
5	10051	M 12 nylstop nut
5	10051	M 12 nylstop nut
5	10051	M 12 nylstop nut
5	10051	M 12 nylstop nut
6	14102	ø 12 inox medium washer
7	20057	ø 250 mm motor flange for X-PRO machine
8	20038	12 x 65 THPF screw
8	20038	12 x 65 THPF screw

Pos.	Référence	Désignation
8	20038	12 x 65 THPF screw
9	20042	Spi seal 55 x 72 x 10
10	20058	X-PRO machine tank bottom gasket
10	20058	X-PRO machine tank bottom gasket
11	20059	X-PRO machine seal flange
12	20056	X-PRO 140, 200 & CP 100 drive shaft
13	80260	ø 8 inox medium washer
14	11798	THEF 8 x 45 screw
15	20040	18 x 100 THPF screw
16	C22881	
17	20039	M 18 nylstop nut
18	20053	X-PRO machine motor coupling
19	14661	Transmission shaft elastic coupling - X-PRO D140
19	14661	Transmission shaft elastic coupling - X-PRO D140
20	20054	X-PRO D140, CP 55 & 100 tank bottom drive shaft
21	20055	X-PRO machine rotor coupling
22	20047	THPF screw 12 x 80 raw steel 12.9

COMPACT PRO 55 TRI + MIXPRO 130 spraying set - 400V TETRA - Pump

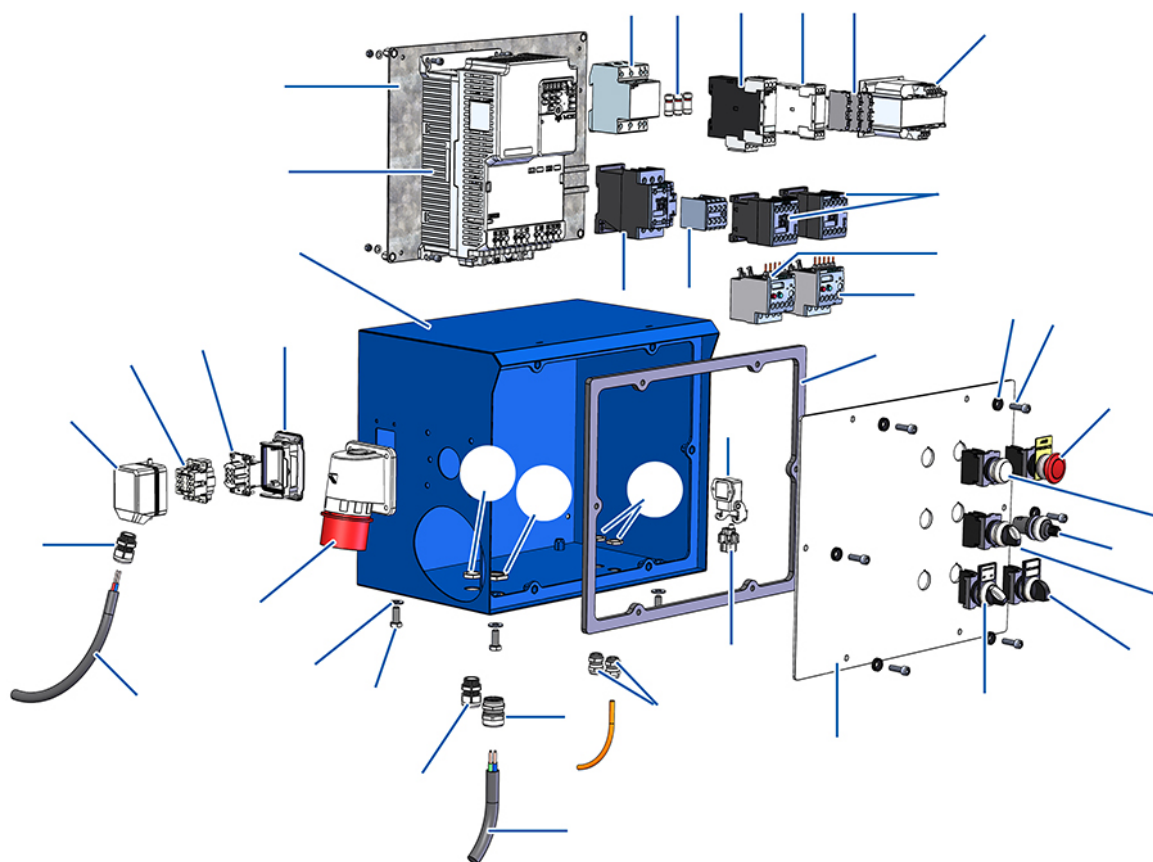


Détails des pièces

Pos.	Référence	Désignation
1	30905	EUROPRO MAP 11 JUMBO pump rotor/stator kit
2	MI7009008800	EUROPRO JUMBO pump rotor
3	MI3F00503800	EUROPRO JUMBO SX 8 slits pump stator
4	20156	
5	C20766	MAP10 clamping jacket - CP60 V17
6	12473	M 20 nut
6	12473	M 20 nut
7	M10281	595 mm fastening tie rod for CP 60
8	C22375	8
9	20157	
10	C22880	10
11	10141	∅ 20 inox narrow washer
12	C22884	

Pos.	Référence	Désignation
13	12364	2" camlock steel coupling, inner threaded 2" - CP 60
14	20070	1"1/4 camlock steel coupling, outer threaded 1"1/4
15	20062	X-PRO machine manometer adapter
16	20154	Oil radial manometer 1/2" conical 100 mm - 0 to 60 bar
17	20173	

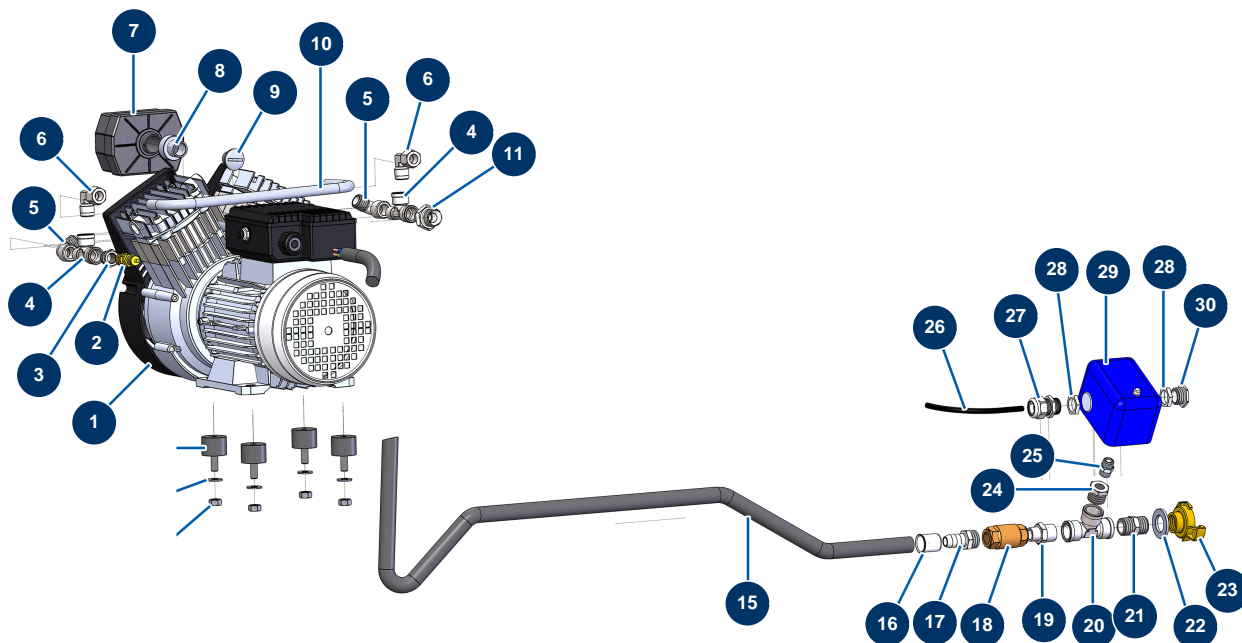
COMPACT PRO 55 TRI + MIXPRO 130 spraying set - 400V TETRA - Electrical box



Détails des pièces

Pos.	Référence	Désignation
------	-----------	-------------

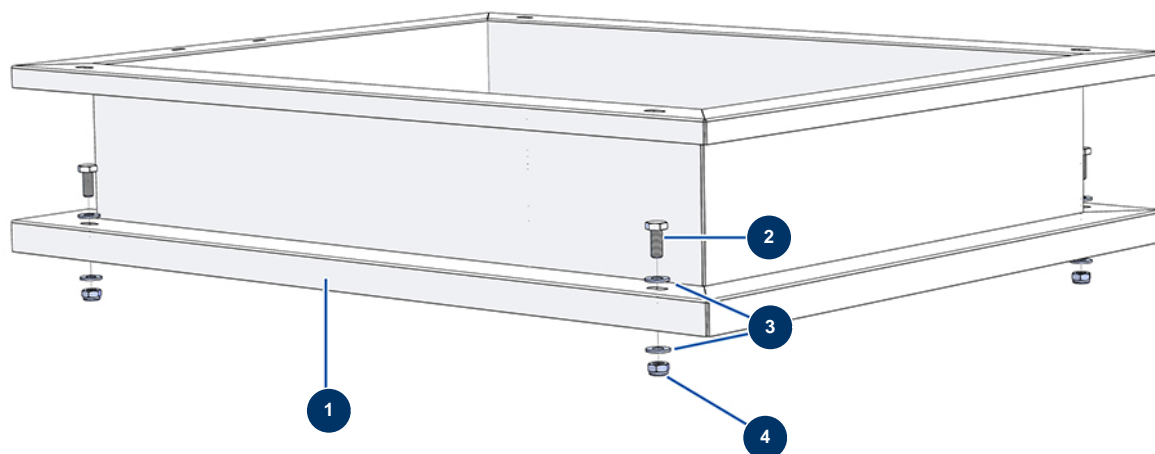
COMPACT PRO 55 TRI + MIXPRO 130 spraying set - 400V TETRA - Compressor kit



Détails des pièces

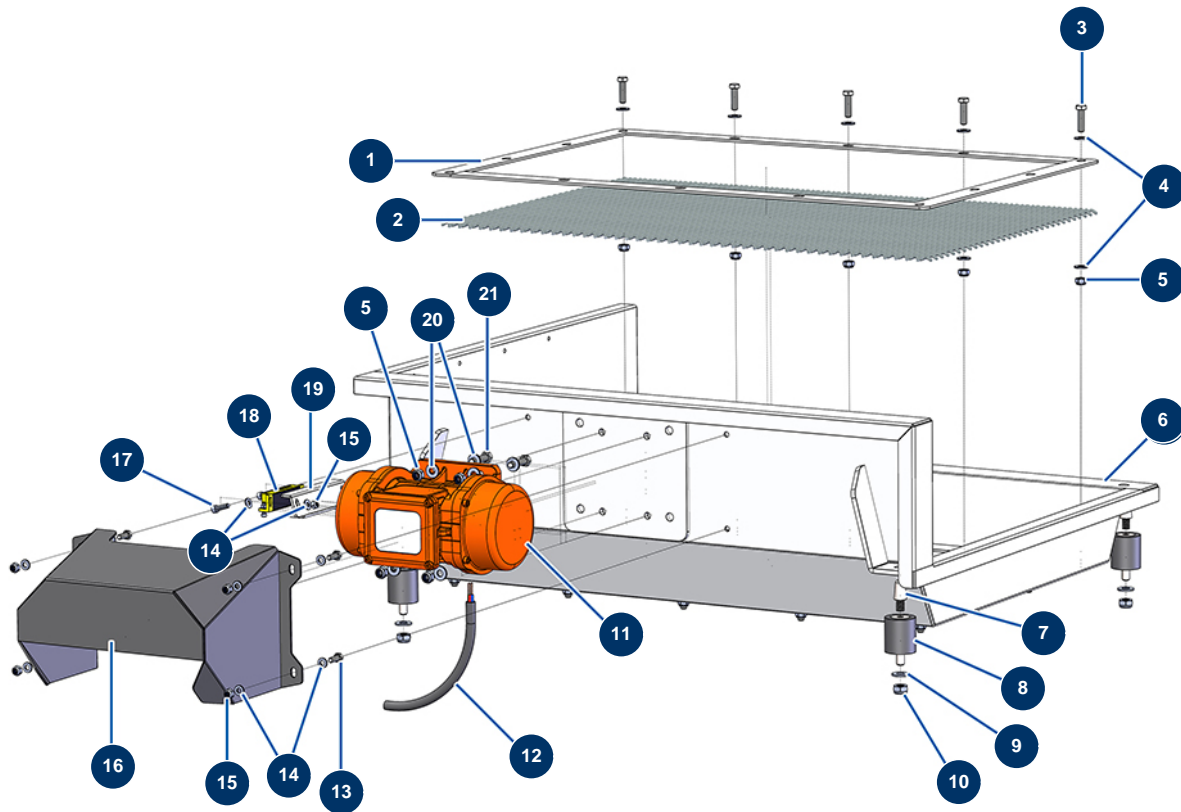
Pos.	Référence	Désignation
1	14143	Oiless twin-cylinder compression head - 400V/50Hz three-phased
2	MI3G01300304	Safety Valve 1/4 3 bar
3	90242	3/8" MaleC x 1/4" FemaleD low-pressure reduction
4	12530	M3/8" x F3/8" x F3/8" low pressure T
4	12530	M3/8" x F3/8" x F3/8" low pressure T
5	30120	Elbow BP 90° 3/8 MaleC x 3/8 FemaleD
5	30120	Elbow BP 90° 3/8 MaleC x 3/8 FemaleD
6	13696	
6	13696	
7	80052	EUROPRO 36 complete air filter
8	M10529	
9	M10528	3/8"G threaded plug
10	C23010	10

Pos.	Référence	Désignation
11	90872	1/2" MaleD x 3/8" MaleD high-pressure nipple
15	10229	ø 12 galvanised braided hose
16	10210	19 MAS sleeve
17	10225	Nipple 3/8" MC grooved Ø 12
18	MI3G01300401	3/8" non-return valve
19	80339	3/8" MaleC x 1/2" MaleC low-pressure nipple
20	12105	F1/2" x F1/2" x F1/2" low pressure T
21	30369	1/2" MaleC x 1/2" MaleC low-pressure nipple
22	10141	ø 20 inox narrow washer
23	13577	1/2" inner threaded Geka coupling
24	30119	1/2" MaleC x 1/4" FemaleD low-pressure reduction
25	90844	1/4" MaleD x 1/4" MaleD low-pressure nipple
26	11972	H05VV5F 3G0.75 grey electrical cable by the metre
27	11622	Black plastic packing M 20
28	20051	M 20 grey plastic cable gland nut
28	20051	M 20 grey plastic cable gland nut
29	20197	Air pressure switch NC male 1/4
30	80443	IM 20 electric plug

COMPACT PRO 55 TRI + MIXPRO 130 spraying set - 400V TETRA - Tank extension option**Détails des pièces**

Pos.	Référence	Désignation
1	C22871	1
2	30257	THEF 10 x 25 screw
3	80261	ø 10 inox medium washer
4	13981	M 10 nylstop inox nut

COMPACT PRO 55 TRI + MIXPRO 130 spraying set - 400V TETRA - Vibrating strainer option

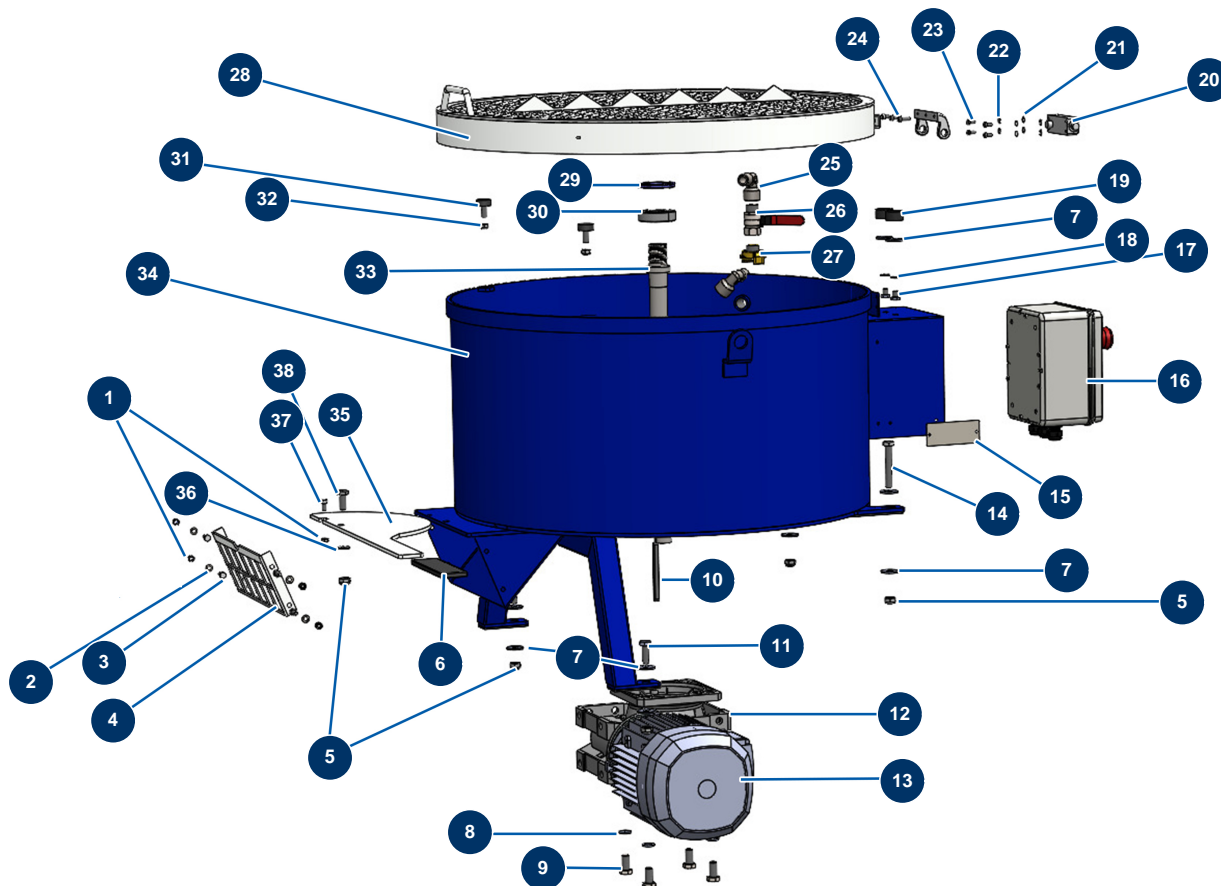


Détails des pièces

Pos.	Référence	Désignation
1	C22873	1
2	C22883	
3	30205	THEF 8 x 30 screw
4	30292	ø 8 inox large washer
5	13980	M 8 nylstop inox nut
5	13980	M 8 nylstop inox nut
6	C22872	6
6	C22872	6
7	20052	Conical pin 24 x 12/16 mm M10
8	20172	Silentbloc ø 40 x 45 M-F10
9	80261	ø 10 inox medium washer
10	13981	M 10 nylstop inox nut
11	20024	230/400V MVE200 three-phased single vibrator

Pos.	Référence	Désignation
12	30018	H07RNF 4G1.5 electrical cable by the metre
13	12069	THEF 6 x 16 screw
14	80259	Ø 6 medium washer
14	80259	Ø 6 medium washer
15	14217	M 6 nylstop inox nut
15	14217	M 6 nylstop inox nut
16	C22874	16
17	90996	6 x 20 inox cylindrical head screw
18	12120	Grid safety sensor for JETMIX, MIXPRO 14, 70 & 100
19	C23008	19
20	80260	ø 8 inox medium washer
21	11545	THEF 8 x 35 inox screw

COMPACT PRO 55 TRI + MIXPRO 130 spraying set - 400V TETRA - MIXPRO 130 Chassis

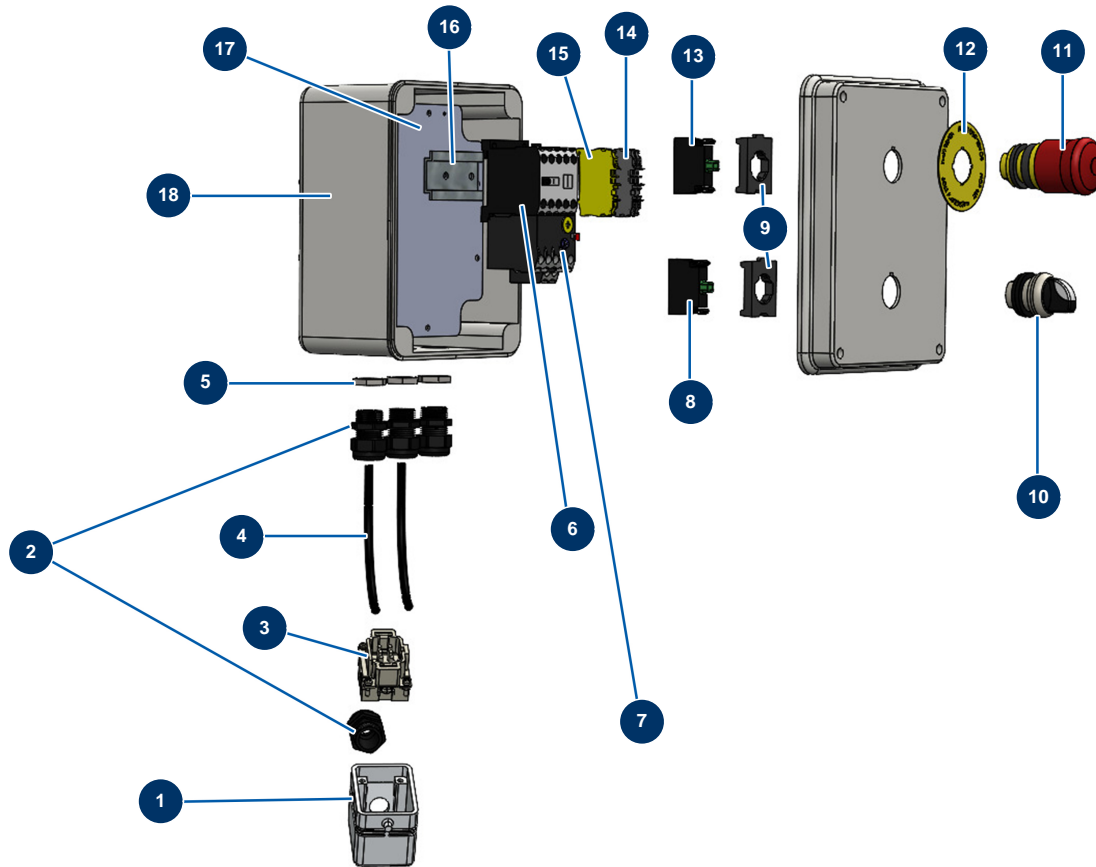


Détails des pièces

Pos.	Référence	Désignation
1	20004	M 6 nylstop nut
2	70087	ø 6 inox narrow washer
3	12069	THEF 6 x 16 screw
4	C30028	4
5	60013	M 10 nylstop nut
5	60013	M 10 nylstop nut
6	90255	Arm handle for EUROPRO 24P, E50 and E100
7	30293	ø 10 inox large washer
7	30293	ø 10 inox large washer
7	30293	ø 10 inox large washer
8	12462	Grower washer ø 12
9	12251	THEF 12 x 25 screw
10	90750	8 x 7 x 100 parallel key with round end for 24P et PT

Pos.	Référence	Désignation
11	30258	THEF 10 x 30 screw
12	20745	12
13	90189	Electric motor 2,2 kW - T90 - B14 - 1400 rpm - 400V
14	12163	THEF 10 x 70 inox screw
15	10005	15
16	20732	16
17	30298	THEF 8 x 10 screw
18	30256	ø 8 inox narrow washer
19	20744	19
20	20733	20
21	70085	ø 5 narrow washer
22	12458	Grower washer ø 5
23	20693	23
24	90160	5 x 16 cylindrical head screw
25	90483	Elbow BP 90° 1/2 MaleC x 1/2 FemaleD
26	90023	Red handle valve M1/2" x F1/2"
27	13572	1/2" outer threaded Geka coupling"
28	C30014	28
29	20724	29
30	20723	30
31	90766	Ø 25 x 10 M8 stop
32	90127	M 8 nylstop nut
33	C30027	33
34	C30012	34
35	C30013	35
36	30280	ø 10 inox narrow washer
37	11145	6 x 16 inox cylindrical pan head screw
38	30257	THEF 10 x 25 screw

OMPACT PRO 55 TRI + MIXPRO 130 spraying set - 400V TETRA - MIXPRO 130 Electrical bo

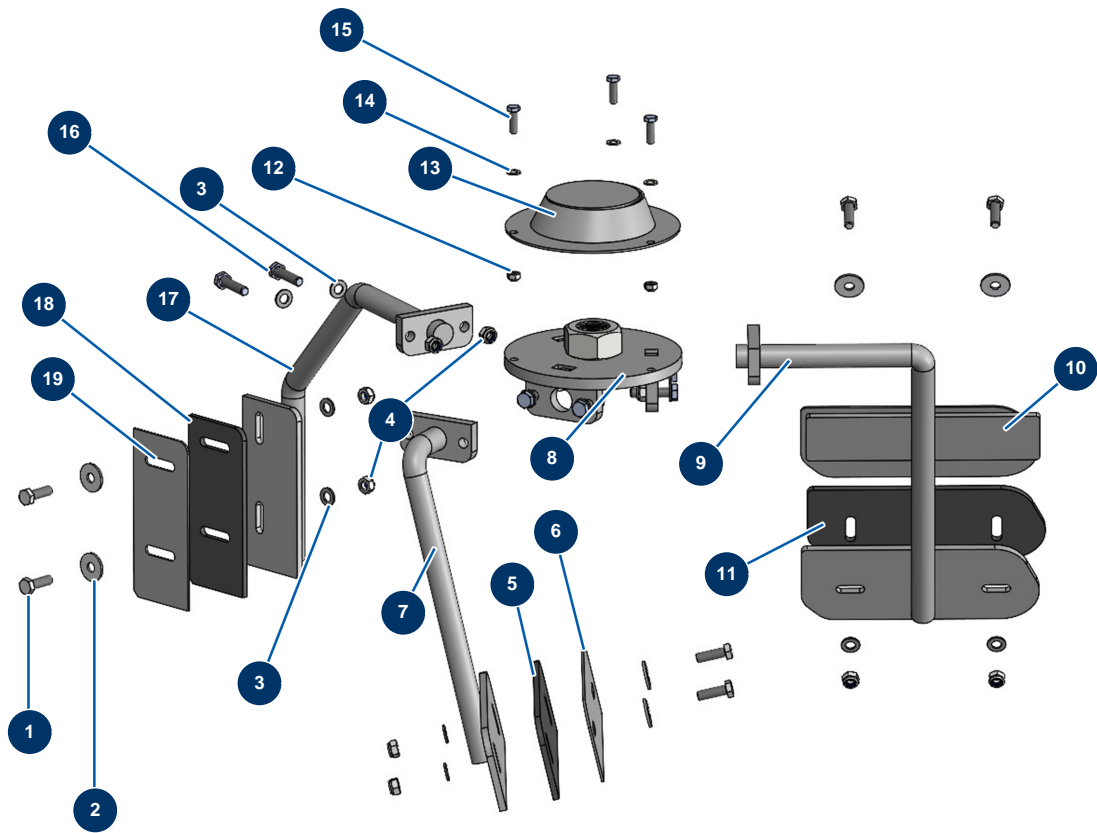


Détails des pièces

Pos.	Référence	Désignation
1	20068	2 PI cover
2	11622	Black plastic packing M 20
3	20066	06 P + T male insert
4	20740	4
5	20051	M 20 grey plastic cable gland nut
6	11918	Coil contactor 24 Volt AC
7	12153	
8	30028	Green single closed contact
9	30036	3-contact U-bolt
10	30025	2-position button
11	90727	Hook emergency stop button - CP 60
12	12824	Round sticker "Emergency stop" for CP 60
13	30356	Red single open contact

Pos.	Référence	Désignation
14	20706	14
15	30038	Yellow and green conductive block 6 mm ²
16	10265	
17	20729	17
18	20728	18

COMPACT PRO 55 TRI + MIXPRO 130 spraying set - 400V TETRA - Mixing group



Détails des pièces

Pos.	Référence	Désignation
1	11544	THEF 8 x 25 screw
2	30292	ø 8 inox large washer
3	30256	ø 8 inox narrow washer
3	30256	ø 8 inox narrow washer
4	90127	M 8 nylstop nut
5	20741	
6	C30021	6
7	C30020	7
8	C30017	8
9	C30029	9
10	C30030	10
11	20743	
12	20004	M 6 nylstop nut

Pos.	Référence	Désignation
13	C30015	13
14	70087	∅ 6 inox narrow washer
15	14539	THEF 6 x 20 screw
16	11545	THEF 8 x 35 inox screw
17	C30019	17
18	20742	
19	C30022	19