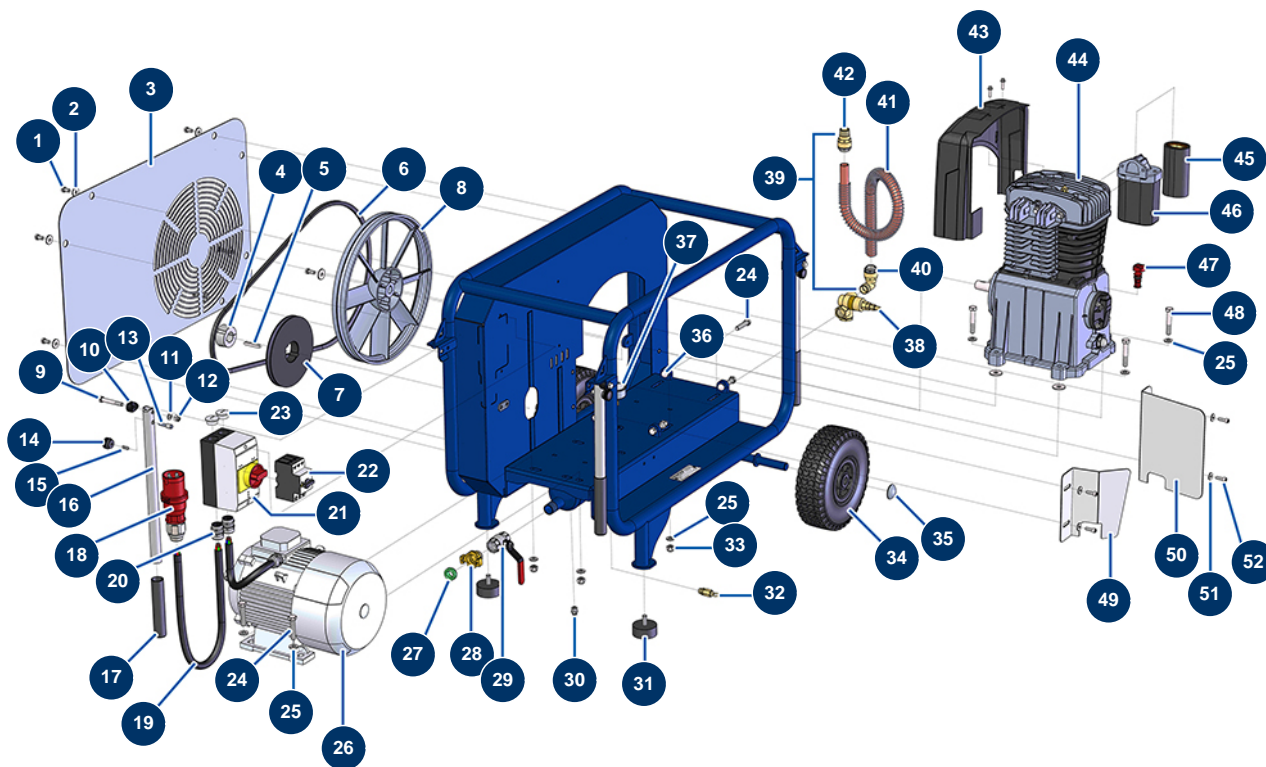


## EUROPRO 50 TR compressor - General view



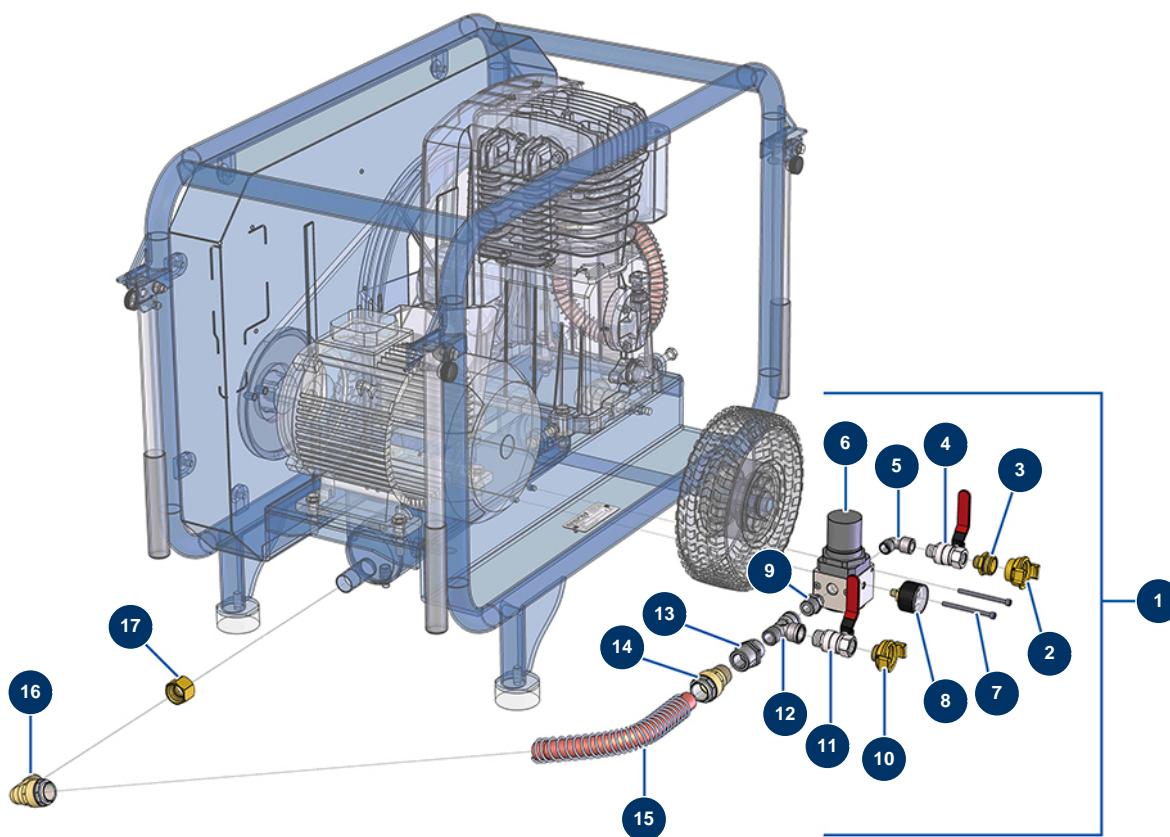
### Détails des pièces

Pos.	Référence	Désignation
1	30295	THEF 8 x 16 screw
2	30292	ø 8 inox large washer
3	90772	EUROPRO 45 and 50 compressor right grid
4	90762	Removable hub Ø 28 for 1610
5	90752	6,35 x 6,35 x 50 parallel key with round end
6	90845	10 SPZ 1650 E45TH V-belt
7	90782	10 pulley without hub Ø 180
8	90771	EUROPRO 50 head pulley
9	11799	8 x 60 THPF screw
10	11466	Plastic arm spacer
11	80260	ø 8 inox medium washer
12	90127	M 8 nylstop nut
13	90179	EUROPRO 30+,36 and 40 compressor arm latch

Pos.	Référence	Désignation
14	20001	EUROPRO 30+,36 and 40 compressor arm button
15	60040	Compressor trigger spring
16	11449	EUROPRO 50 et 100 compressor arm
17	90255	Arm handle for EUROPRO 24P, E50 and E100
18	12134	Male D electric socket 3P + T 16A with phase inverter
19	30019	H07RNF 4G2.5 electrical cable by the metre
20	80449	Watertight cable gland of M 25
21	30110	EUROPRO compressor vacuum switch box
22	30064	10 to 16 petrol motor circuit-breaker
23	80600	Electrical button for plastic IM 25
24	30260	THEF 10 x 50 screw
24	30260	THEF 10 x 50 screw
25	80261	∅ 10 inox medium washer
25	80261	∅ 10 inox medium washer
25	80261	∅ 10 inox medium washer
26	90025	Foot mounted electric motor 5,5 kW - T112 - B3 - 2800 rpm - 400V
27	11372	High temperature quick-fit connector gasket
28	70100	3/4" outer threaded quick fit coupling
29	11382	Red handle valve F3/4" x F3/4"
30	30133	1/4" male compressor tank purge
31	90196	∅ 60 x 25 M10 stop
32	80097	1/4" certified outer threaded safety valve 11 bar
33	60013	M 10 nylstop nut
34	80001	Complete wheel 260 shaft of 20 for 6,8,14P, MPE 80 and 200, 7000z, 9000z
35	90281	∅20 chromed clip
36	90449	M 10 cap nut
37	80700	Cylindrical oil 1/4 axial manometer 50 mm 0 to 16 bar
38	90138	3/4" autonomous drain valve
39	11291	E 50-2 compressor outlet air hose
40	11383	Elbow push-in connector for EUROPRO 50-3, 100-3 compressor hose
41	10688	Spring for E100 steel compressor outlet pipe
42	11198	Push-in connector for EUROPRO 50-3, 100-3 compressor hose
43	90132	EUROPRO 50 head cover
44	90458	EUROPRO 50 compression head

Pos.	Référence	Désignation
45	11199	EUROPRO 50 air filter cartridge, from 01/09/04
46	91390	EUROPRO 50 complete air filter from 01/09/04
47	90841	EUROPRO 50 (BK119) and 100 (BK20) compressor filler plug
48	12770	10 x 60 THPF screw
49	11231	E50 compressor right deflector
50	11232	E50 compressor left deflector on air outlet side
51	30291	ø 6 large washer
52	90996	6 x 20 inox cylindrical head screw

## EUROPRO 50 TR compressor - Air regulator kit option



### Détails des pièces

Pos.	Référence	Désignation
1	14847	Thermal compressor air regulator kit
2	12117	3/4" inner threaded Geka coupling
3	80566	3/8" MaleD x 3/4" MaleD low-pressure nipple
4	90011	Red handle valve M3/8" x F3/8"
5	30120	Elbow BP 90° 3/8 MaleC x 3/8 FemaleD
6	14386	DropPro 30P 3/8" air regulator from 01/05/2019
7	12447	5 x 70 cylindrical head screw
8	80023	Axial manometer 1/8 conical 40 mm 0 to 10 bar
9	80339	3/8" MaleC x 1/2" MaleC low-pressure nipple
10	13572	1/2" outer threaded Geka coupling"
11	90023	Red handle valve M1/2" x F1/2"
12	12205	M1/2" x F1/2" x F1/2" low pressure T
13	10945	3/4" FemaleD x 1/2" FemaleD low-pressure nipple

Pos.	Référence	Désignation
14	11198	Push-in connector for EUROPRO 50-3, 100-3 compressor hose
15	10688	Spring for E100 steel compressor outlet pipe
16	11383	Elbow push-in connector for EUROPRO 50-3, 100-3 compressor hose
17	11311	3/4" FemaleD x 3/4" FemaleD low-pressure nipple