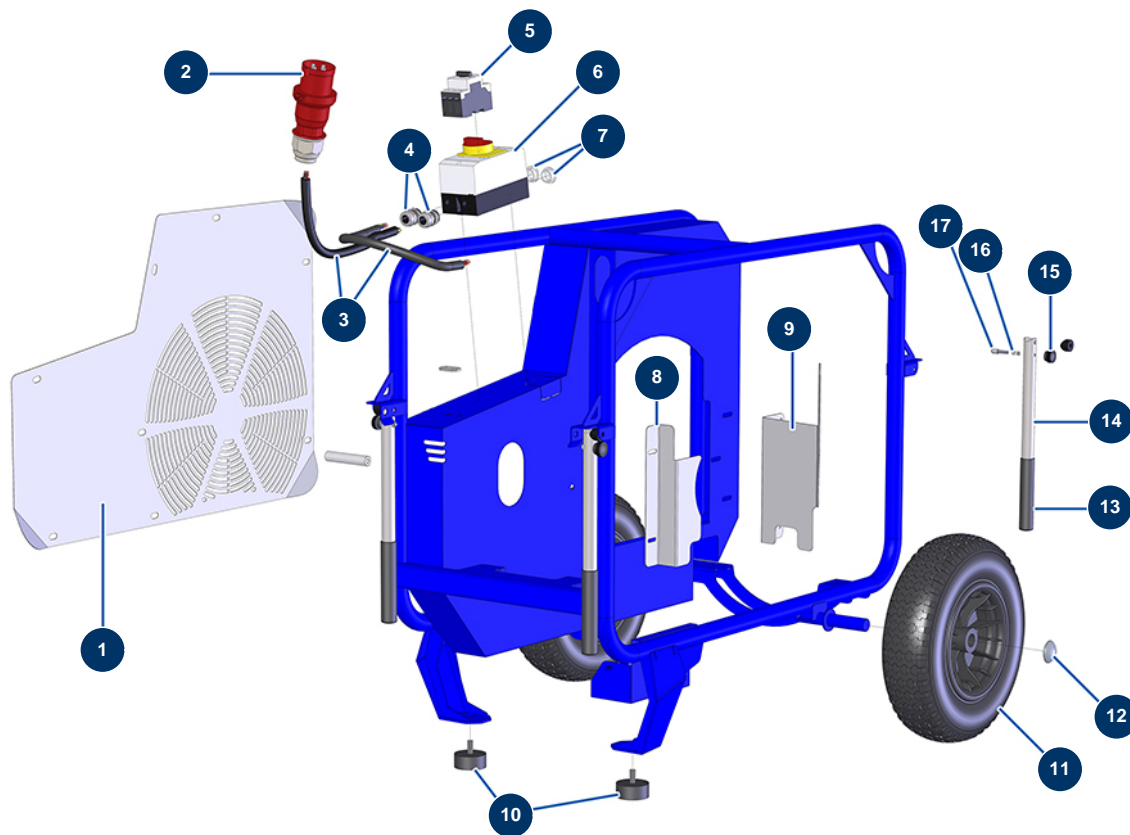


EUROPRO 100 TR compressor - Chassis

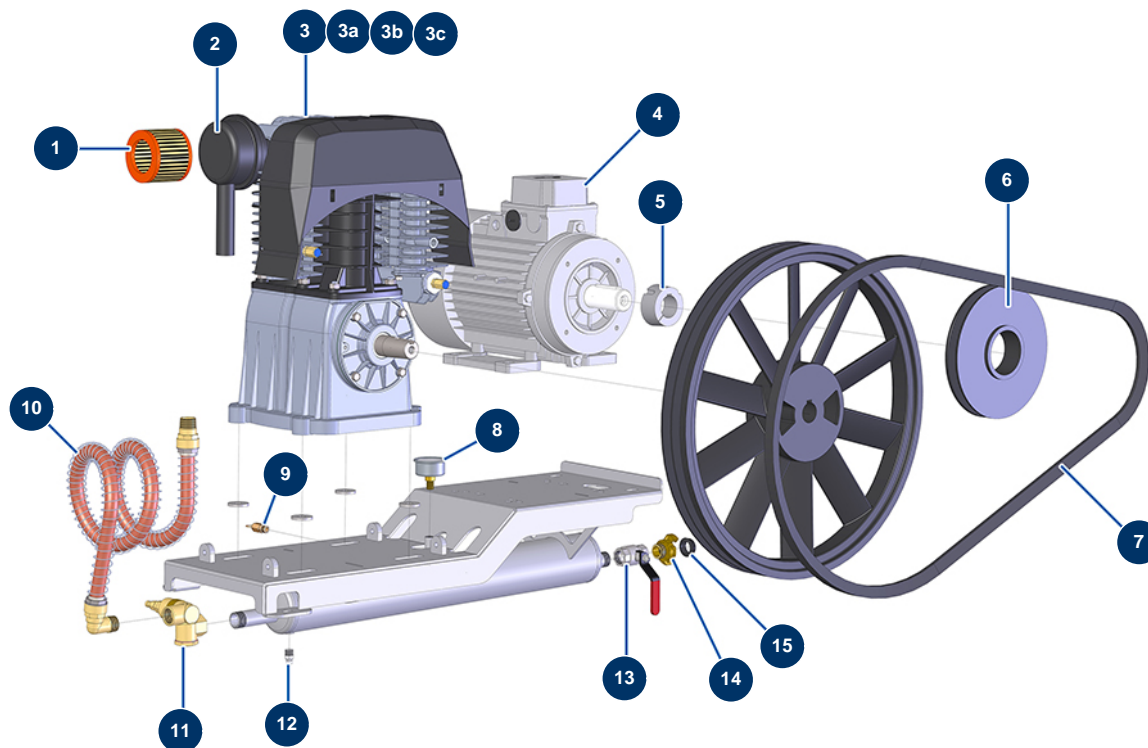


Détails des pièces

Pos.	Référence	Désignation
1	C22247	E100 compressor side crankcase
2	12267	Male D electric socket 3P + T 32A with phase inverter
3	30019	H07RNF 4G2.5 electrical cable by the metre
4	80449	Watertight cable gland of M 25
5	30065	16 to 20 petrol motor circuit-breaker
6	30110	EUROPRO compressor vacuum switch box
7	80600	Electrical button for plastic IM 25
8	11209	E100 compressor right baffle
9	11210	E100 compressor air outlet side left baffle
10	90196	Ø 60 x 25 M10 stop
11	80003	Ø400 complete wheel with shaft of 25 for 100TH, MPE 300
12	90282	Ø25 chromed clip
13	90255	Arm handle for EUROPRO 24P, E50 and E100

Pos.	Référence	Désignation
14	11449	EUROPRO 50 et 100 compressor arm
15	20001	EUROPRO 30+,36 and 40 compressor arm button
16	60040	Compressor trigger spring
17	90179	EUROPRO 30+,36 and 40 compressor arm latch

EUROPRO 100 TR compressor - Pneumatic circuit



Détails des pièces

Pos.	Référence	Désignation
1	14503	EUROPRO 100 - BK20 cartridge air filter
2	12299	EUROPRO 100 complete air filter BK20 & BK120
3	30156	Compression head EUROPRO 100
3a	13001	Pouch of gasket for E 100 compressor from 09/2010
3b	30194	EUROPRO 100 plate valve
3c	90205	EUROPRO 100 head cover
4	90505	Foot mounted electric motor 7,5 kW - T132 - B3 - 2800 rpm - 400V
5	90508	Removable hub Ø 38 for 2012
6	90194	17 pulley without hub Ø 200
7	14166	17 SPB 2043 E100TH V-belt from 10/2017
8	80700	Cylindrical oil 1/4 axial manometer 50 mm 0 to 16 bar
9	80097	1/4" certified outer threaded safety valve 11 bar
10	14163	E100-4 2018 compressor outlet air hose

Pos.	Référence	Désignation
11	90138	3/4" autonomous drain valve
12	30133	1/4" male compressor tank purge
13	11382	Red handle valve F3/4" x F3/4"
14	70100	3/4" outer threaded quick fit coupling
15	11372	High temperature quick-fit connector gasket