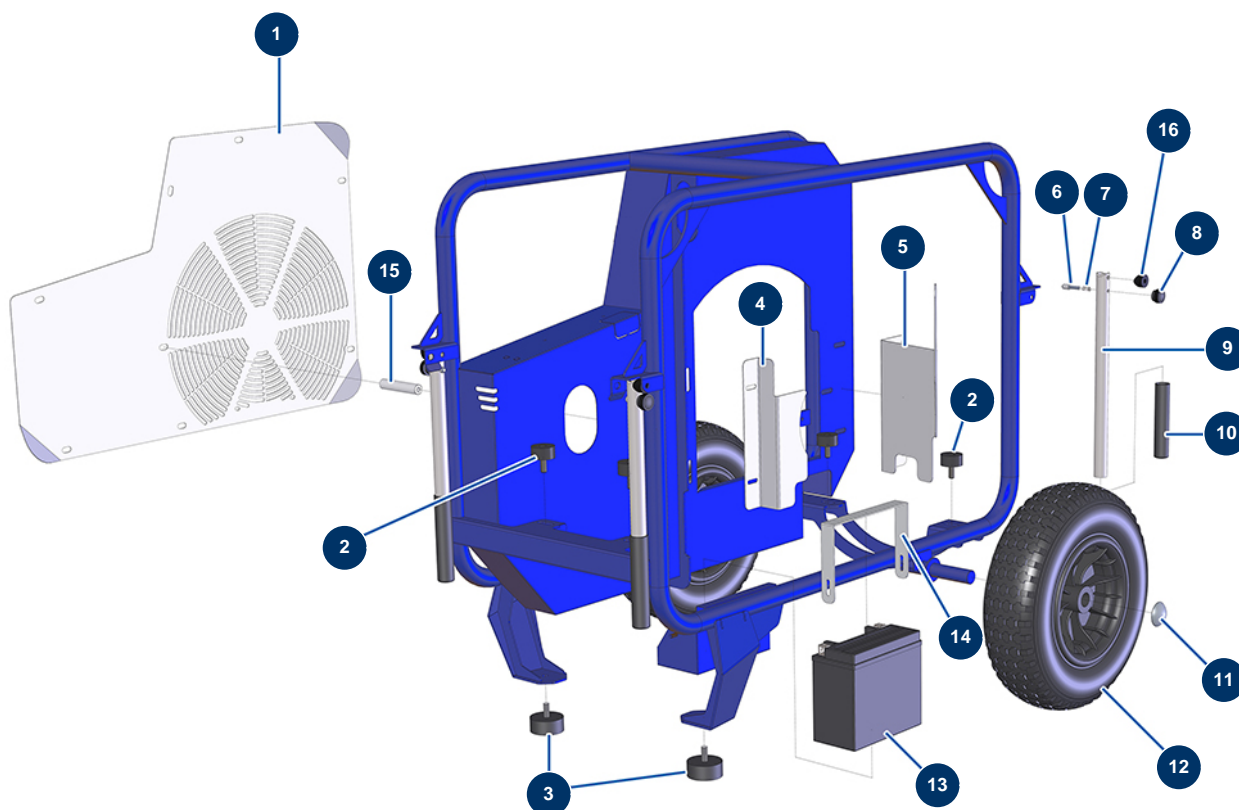


## EUROPRO 100 TH compressor 13HP HONDA electric starter - Chassis

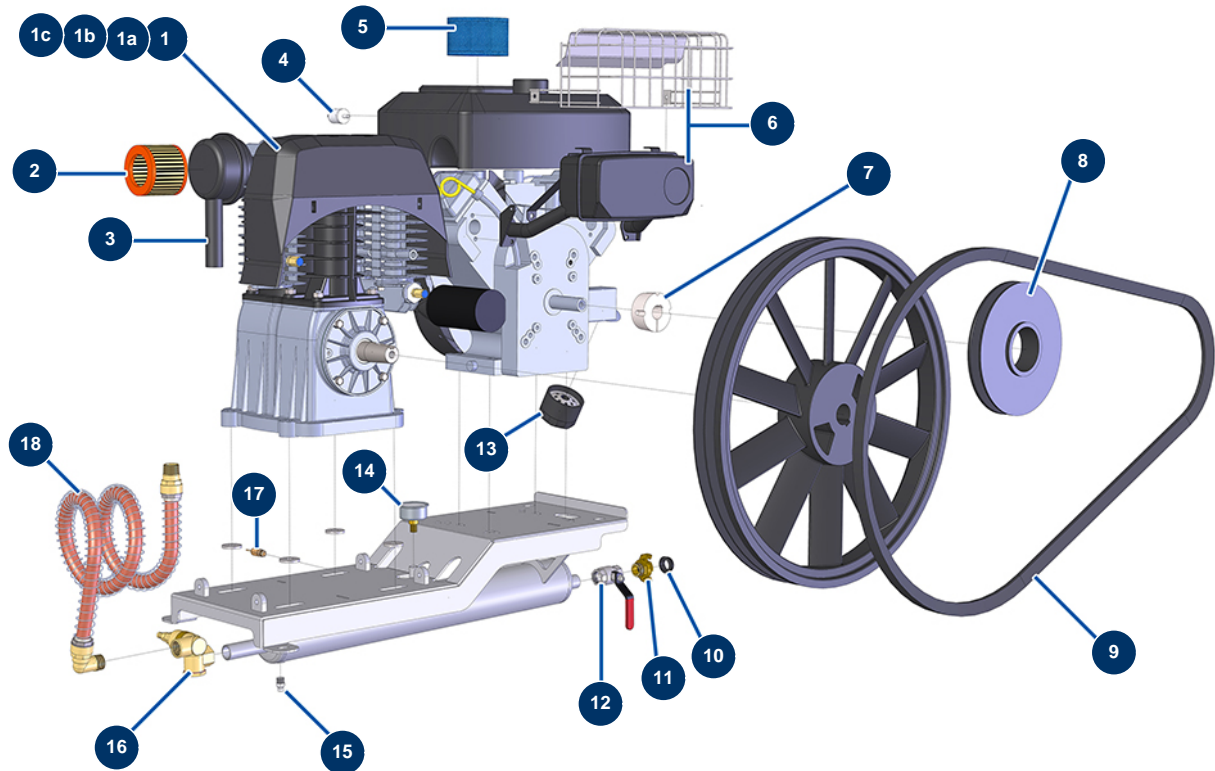


### Détails des pièces

Pos.	Référence	Désignation
1	C22247	E100 compressor side crankcase
2	60047	Silentbloc ø 40 x 20 M-F10
2	60047	Silentbloc ø 40 x 20 M-F10
3	90196	Ø 60 x 25 M10 stop
4	11209	E100 compressor right baffle
5	11210	E100 compressor air outlet side left baffle
6	90179	EUROPRO 30+,36 and 40 compressor arm latch
7	60040	Compressor trigger spring
8	20001	EUROPRO 30+,36 and 40 compressor arm button
9	11449	EUROPRO 50 et 100 compressor arm
10	90255	Arm handle for EUROPRO 24P, E50 and E100
11	90282	Ø25 chromed clip
12	80003	Ø400 complete wheel with shaft of 25 for 100TH, MPE 300

Pos.	Référence	Désignation
13	14437	Diesel HP washer, E100 TH battery
14	C22462	14
15	11431	E100 compressor reinforcement spacer
16	11466	Plastic arm spacer

## EUROPRO 100 TH compressor 13HP HONDA electric starter - Pneumatic circuit



### Détails des pièces

Pos.	Référence	Désignation
1	30156	Compression head EUROPRO 100
1a	13001	Pouch of gasket for E 100 compressor from 09/2010
1b	30194	EUROPRO 100 plate valve
1c	90205	EUROPRO 100 head cover
2	14503	EUROPRO 100 - BK20 cartridge air filter
3	12299	EUROPRO 100 complete air filter BK20 & BK120
4	90855	VANGUARD AR 18hp motor petrol filter
5	90852	VANGUARD AR 18 hp motor air filter
6	60020	18 hp VANGUARD exhaust with protective grid
7	90202	Removable hub Ø 1" for 2012
8	90194	17 pulley without hub Ø 200
9	14166	17 SPB 2043 E100TH V-belt from 10/2017
10	11372	High temperature quick-fit connector gasket

Pos.	Référence	Désignation
11	70100	3/4" outer threaded quick fit coupling
12	11382	Red handle valve F3/4" x F3/4"
13	90853	VANGUARD 18 hp motor oil filter
14	80700	Cylindrical oil 1/4 axial manometer 50 mm 0 to 16 bar
15	30133	1/4" male compressor tank purge
16	90138	3/4" autonomous drain valve
17	80097	1/4" certified outer threaded safety valve 11 bar
18	14163	E100-4 2018 compressor outlet air hose