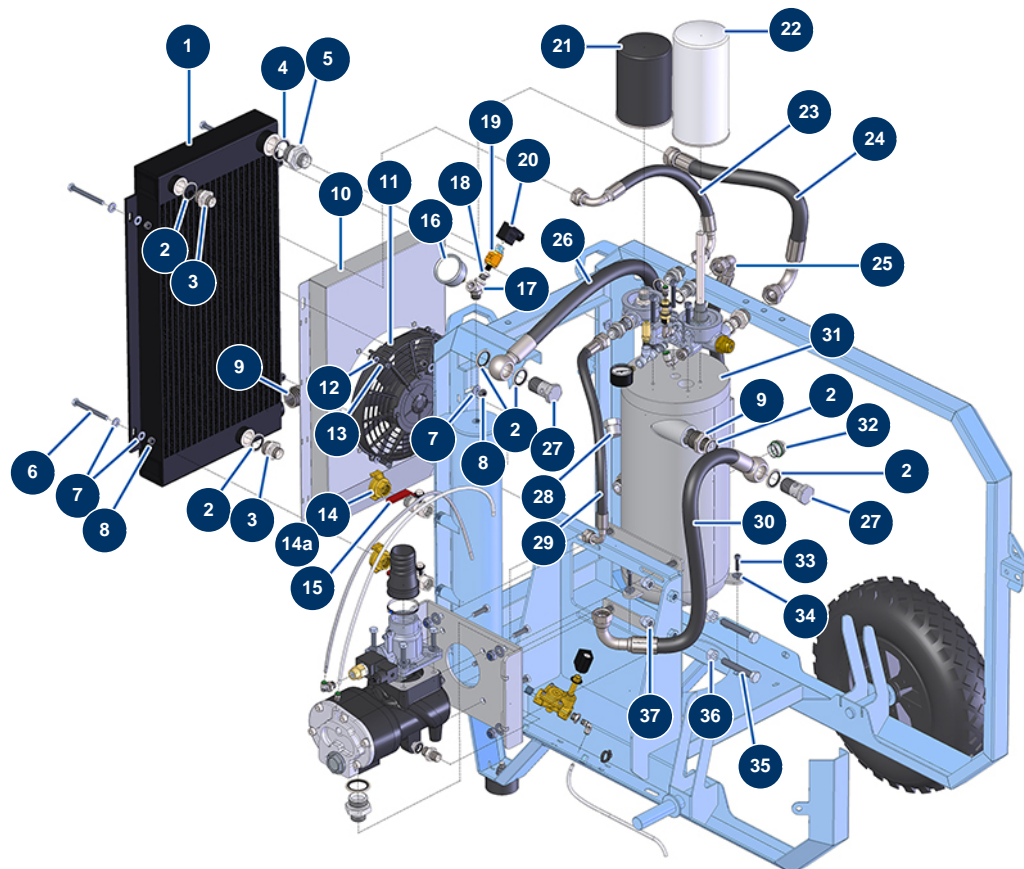


Pos.	Référence	Désignation
5	90282	Ø25 chromed clip
6	80003	Ø400 complete wheel with shaft of 25 for 100TH, MPE 300
7	C22830	7
8	C22815	8
9	90196	Ø 60 x 25 M10 stop
10	80261	ø 10 inox medium washer
11	13981	M 10 nylstop inox nut
12	C22838	12
13	90996	6 x 20 inox cylindrical head screw
14	90255	Arm handle for EUROPRO 24P, E50 and E100
15	11449	EUROPRO 50 et 100 compressor arm
16	90179	EUROPRO 30+,36 and 40 compressor arm latch
17	60040	Compressor trigger spring
18	20001	EUROPRO 30+,36 and 40 compressor arm button
19	13980	M 8 nylstop inox nut
20	80260	ø 8 inox medium washer
20	80260	ø 8 inox medium washer
20	80260	ø 8 inox medium washer
21	11466	Plastic arm spacer
22	12450	THEF 8 x 60 screw
23	C22811	23
24	C22835	24
25	80470	8 x 20 cylindrical head screw
26	14669	Donaldson complete cyclonic air filter fixing bridge for E150 TH compressor
27	14670	Donaldson air filter cartridge for E150 TH compressor
28	14668	Donaldson complete cyclonic air filter for E150 TH compressor
29	90157	M6 x 16 cylindrical head screw - CP 60
30	C22929	30
31	C22807	31
32	C22809	32
33	C22796	33

EUROPRO 150 TH Honda compressor - Pneumatic circuit

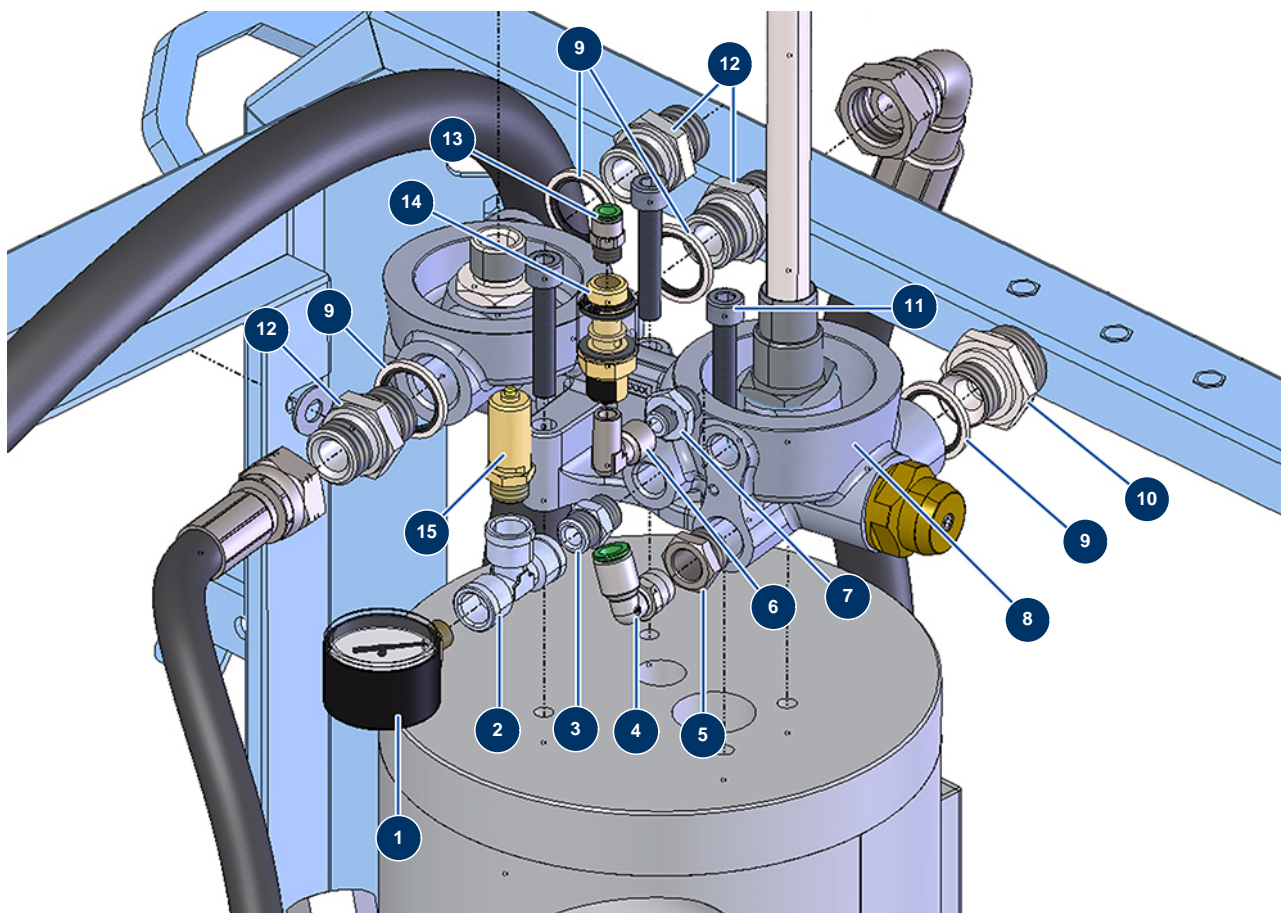


Détails des pièces

Pos.	Référence	Désignation
1	14654	1
2	12573	Steel gasket for 3/4" hollow screw with lip
2	12573	Steel gasket for 3/4" hollow screw with lip
2	12573	Steel gasket for 3/4" hollow screw with lip
2	12573	Steel gasket for 3/4" hollow screw with lip
2	12573	Steel gasket for 3/4" hollow screw with lip
3	12733	1/2" MaleD x 3/4" MaleD high-pressure nipple
3	12733	1/2" MaleD x 3/4" MaleD high-pressure nipple
4	12572	Steel gasket for 1" hollow screw with lip
5	12569	3/4" MaleD x 1" MaleD high-pressure nipple
6	12450	THEF 8 x 60 screw
7	80260	ø 8 inox medium washer
7	80260	ø 8 inox medium washer

Pos.	Référence	Désignation
8	14075	M 8 inox nut
8	14075	M 8 inox nut
9	90789	1" MaleC x 3/4 FemaleD low-pressure reduction
9	90789	1" MaleC x 3/4 FemaleD low-pressure reduction
10	C22799	10
11	14655	11
12	80259	Ø 6 medium washer
13	90996	6 x 20 inox cylindrical head screw
14	70055	1/2" inner threaded quick fit coupling
14a	13577	1/2" inner threaded Geka coupling
15	90023	Red handle valve M1/2" x F1/2"
16	80700	Cylindrical oil 1/4 axial manometer 50 mm 0 to 16 bar
17	30127	Low pressure Y - M3/8" x F3/8" x F3/8"
18	90240	1/4" MaleC x 1/8" FemaleD low-pressure reduction
19	14677	E150 TH compressor NC pressure switch
20	13528	12 VDC coil connector for electro-pneumatic distributor - CP 60
21	14675	E150 TH compressor oil filter
22	14674	E150 TH compressor oil/air separator filter
23	14716	Filter block outlet /oil cooler high inlet hose for compressor E 150
24	14714	Air filter block/air radiator high inlet hose for compressor E 150
25	14713	Radiator low outlet/filter block inlet hose for compressor E 150
26	14718	Air radiator low outlet/air reserve hose for compressor E 150
27	13307	3/4 HP drilled head screw
27	13307	3/4 HP drilled head screw
28	90817	3/4" low-pressure male plug
29	14715	Screw group /oil filter block for compressor E 150
30	14717	Screw group/oil separator tank return for coompressor E 150
31	14561	31
32	103522	Oil level eye with seal E 100
33	80614	6 x 25 inox cylindrical head screw
34	30291	ø 6 large washer
35	13245	35
36	30071	Nut M 12
37	90128	M 12 cap nut

EUROPRO 150 TH Honda compressor - Regulator filtrating block

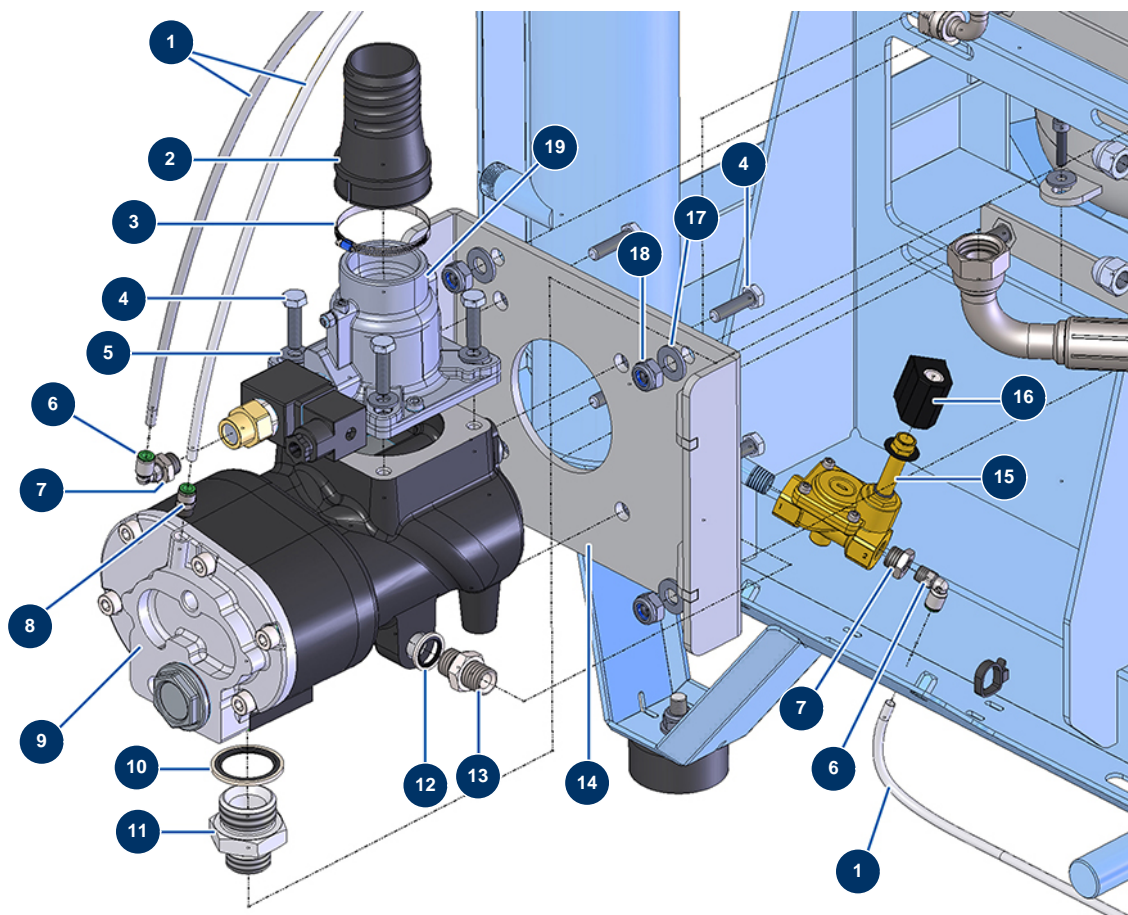


Détails des pièces

Pos.	Référence	Désignation
1	11202	Radial manometer 1/8" conical ø 40mm 0 to 4 bar
2	11489	2
3	90844	1/4" MaleD x 1/4" MaleD low-pressure nipple
4	11152	M1/4 Ø 8 elbow push-in connector
5	90242	3/8" MaleC x 1/4" FemaleD low-pressure reduction
6	91169	Elbow BP 90° 1/8 MaleC x 1/8 FemaleD
7	11110	1/8" MaleC x 1/4" MaleC low-pressure nipple
8	14673	Filter block and regulator for compressor E150 TH
9	91032	Steel gasket for hollow screw with 1/2" lip
9	91032	Steel gasket for hollow screw with 1/2" lip
9	91032	Steel gasket for hollow screw with 1/2" lip
10	12733	1/2" MaleD x 3/4" MaleD high-pressure nipple
11	12247	8 x 45 cylindrical head screw

Pos.	Référence	Désignation
12	90627	1/2" MaleD x 1/2" MaleD high-pressure nipple
12	90627	1/2" MaleD x 1/2" MaleD high-pressure nipple
13	91038	Legris straight coupling M1/8 Ø 6
14	14676	Oil collector with non-return valve, compressor E150 TH
15	14678	Safety valve 1/4" compressor E150 TH

EUROPRO 150 TH Honda compressor - Compression head

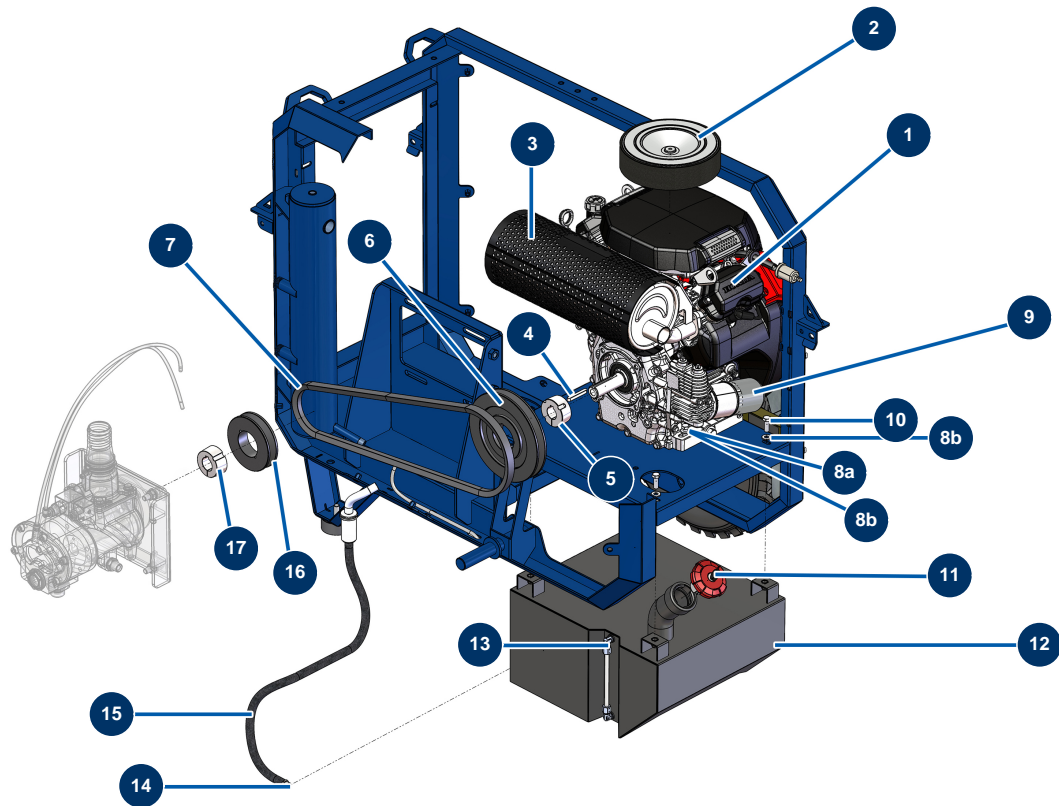


Détails des pièces

Pos.	Référence	Désignation
1	30403	Calibrated polyurethane tube \varnothing 4 x 6 black by the metre
1	30403	Calibrated polyurethane tube \varnothing 4 x 6 black by the metre
2	M10693	
3	30401	Worm gear clamp 38 x 50 x 9
4	11544	THEF 8 x 25 screw
4	11544	THEF 8 x 25 screw
5	80260	\varnothing 8 inox medium washer
6	30124	Corrugated Legris coupling M1/8" \varnothing 6
6	30124	Corrugated Legris coupling M1/8" \varnothing 6
7	90240	1/4" MaleC x 1/8" FemaleD low-pressure reduction
7	90240	1/4" MaleC x 1/8" FemaleD low-pressure reduction
8	91038	Legris straight coupling M1/8 \varnothing 6
9	14560	9

Pos.	Référence	Désignation
10	12572	Steel gasket for 1" hollow screw with lip
11	12569	3/4" MaleD x 1" MaleD high-pressure nipple
12	91031	Steel gasket for hollow screw with 3/8 lip
13	80276	3/8" MaleD x 3/8" MaleC high-pressure nipple
14	C22800	14
15	13279	Solenoid valve alone N.O 1/4.F
16	14199	Water meter solenoid valve 12V DC coil - CP 60 & 80
17	80261	ø 10 inox medium washer
18	13981	M 10 nylstop inox nut
19	14562	19

EUROPRO 150 TH Honda compressor - Motorization

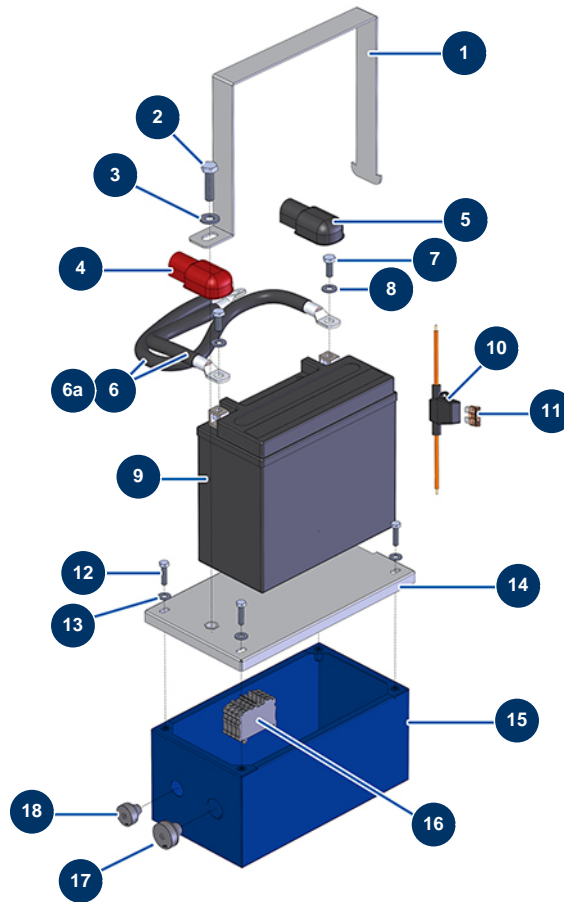


Détails des pièces

Pos.	Référence	Désignation
1	14933	Petrol motor HONDA GX 630RH 16 HP, electric start, tankless
2	60084	GX 630 motor air filter
3	14934	HONDA 16 hp thermal motor exhaust with protection grid
4	90752	6,35 x 6,35 x 50 parallel key with round end
5	15043	
6	15042	
7	15039	
8a	11798	THEF 8 x 45 screw
8b	80260	ø 8 inox medium washer
8b	80260	ø 8 inox medium washer
9	60085	GX 630 motor oil filter
10	11544	THEF 8 x 25 screw
11	13107	Red diesel tank cap with key - C.P 60

Pos.	Référence	Désignation
12	C22828	12
13	14708	M1/8 ø 8 elbow screw push-in connector
14	80094	1/4" corrugated outer threaded coupling Ø 10
15	30405	Calibrated polyurethane tube ø 7,5 x 10 black by the metre
16	15040	
17	15041	

EUROPRO 150 TH Honda compressor - Electrical box

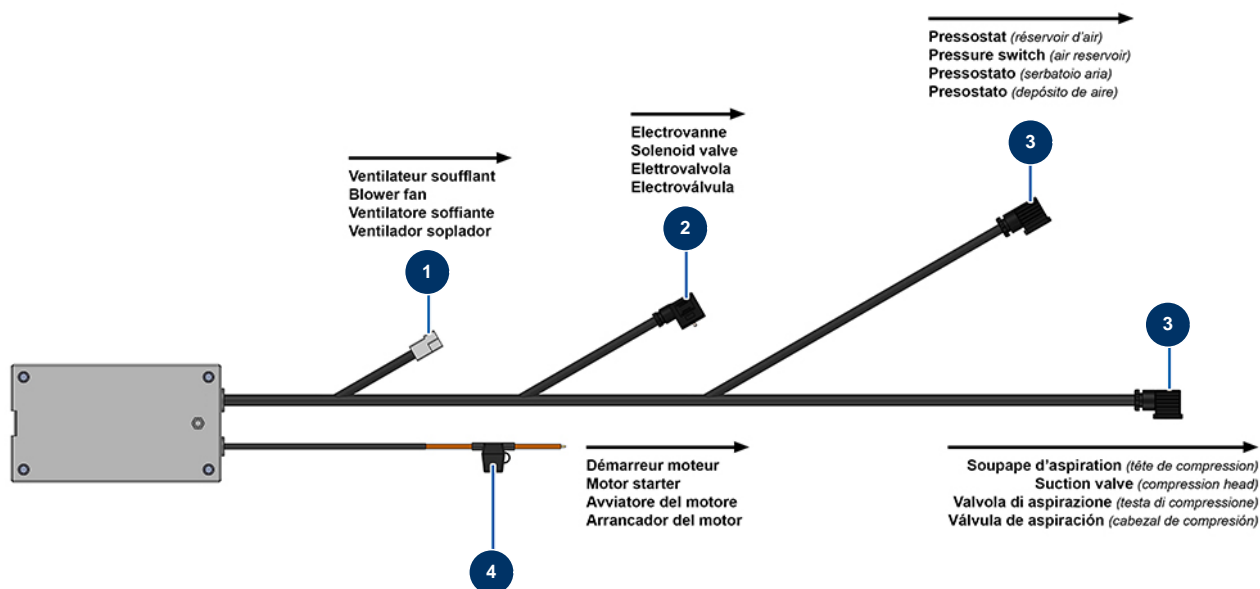


Détails des pièces

Pos.	Référence	Désignation
1	C22813	1
2	11544	THEF 8 x 25 screw
3	80260	ø 8 inox medium washer
4	14557	Battery terminal red protection
5	14556	Battery terminal black protection
6	80234	25 mm ² battery cable by the metre
6a	80235	6a
7	12068	7
8	80259	Ø 6 medium washer
9	14437	Diesel HP washer, E100 TH battery
10	80685	Jumper fuse holder with wires
11	13080	Standard US 5A fuse - CP 60
12	12863	5 x 20 inox cylindrical head screw

Pos.	Référence	Désignation
13	11737	ø 5 inox medium washer
14	C22802	14
15	C22842	15
16	80467	Grey conductor block 4 mm ²
17	13632	M 20 grey rubber cable gland
18	11564	M 16 grey rubber cable gland

EUROPRO 150 TH Honda compressor - Electrical harness



Détails des pièces

Pos.	Référence	Désignation
1	14671	2-way connector - T female lug
2	12038	Solenoid valve connector 230 V
3	12891	MIXPRO 14 & C.P 60 pressure switch connector
3	12891	MIXPRO 14 & C.P 60 pressure switch connector
4	80685	Jumper fuse holder with wires