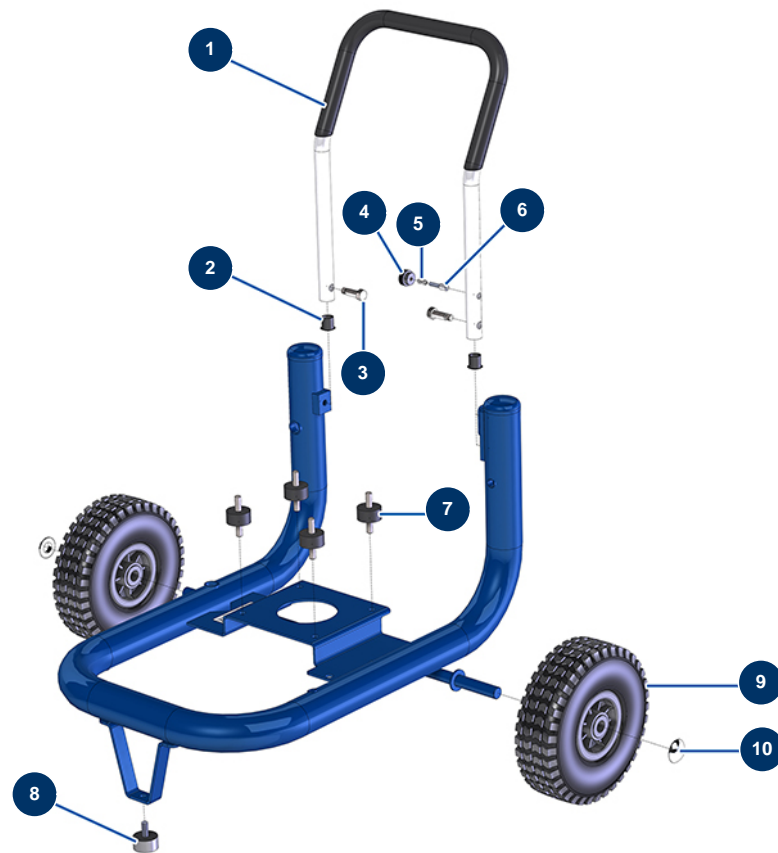


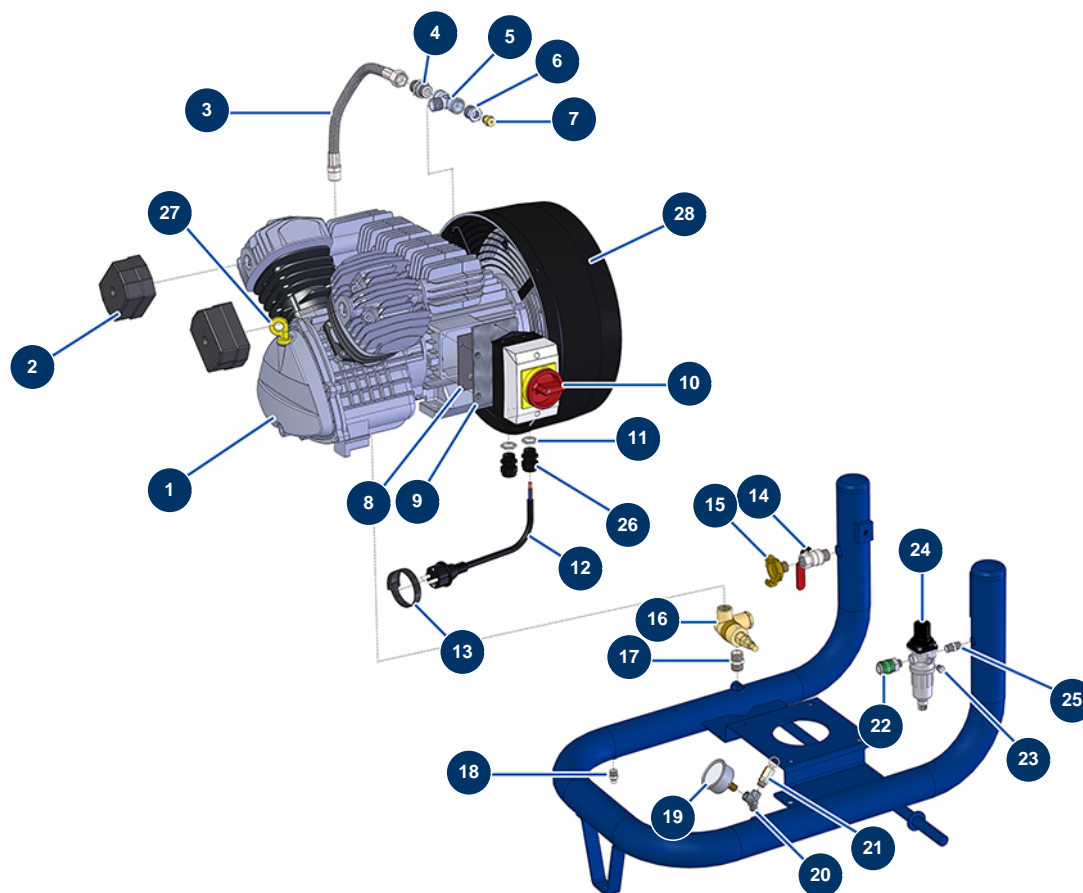
EUROPRO 40 compressor - Chassis



Détails des pièces

Pos.	Référence	Désignation
1	90804	EUROPRO 36 and 40 compressor arm
2	90870	Black plastic end cap for ø 25 round tube
3	30360	EUROPRO 30+,36 and 40 compressor arm screw
4	20001	EUROPRO 30+,36 and 40 compressor arm button
5	60040	Compressor trigger spring
6	90179	EUROPRO 30+,36 and 40 compressor arm latch
7	30150	Silentbloc ø 40 x 20 M10
8	30145	Ø 40 x 20 M10 stop
9	80001	Complete wheel 260 shaft of 20 for 6,8,14P, MPE 80 and 200, 7000z, 9000z
10	90281	Ø20 chromed clip

EUROPRO 40 compressor - Pneumatic / Electric



Détails des pièces

Pos.	Référence	Désignation
1	80224	EUROPRO 40 compression head
2	80535	EUROPRO 40 complete air filter
3	60044	E 36 and 40 compressor outlet air hose
4	90627	1/2" MaleD x 1/2" MaleD high-pressure nipple
5	30122	F1/2" x M1/2" x F1/2" low pressure T
6	30119	1/2" MaleC x 1/4" FemaleD low-pressure reduction
7	80099	Discharge valve 1/4 G.M. P=2.2 bars
8	90269	EUROPRO 30,30+,36 and 40 compressor box gasket
9	11630	Moeller box new fixing plate
10	11602	Compressor switch under box
11	30054	Cable gland locknut of 13
12	90214	Power cable with molded plug 3G 2,5 mm ²
13	12410	Self-gripping collar with loop 12,7 x 228 mm

Pos.	Référence	Désignation
14	90023	Red handle valve M1/2" x F1/2"
15	70099	1/2" outer threaded quick fit coupling
16	80076	1/2" autonomous drain valve
17	30369	1/2" MaleC x 1/2" MaleC low-pressure nipple
18	30133	1/4" male compressor tank purge
19	80028	1/4 conical axial manometer - 50mm - 0 to 20 bar
20	30123	Low pressure Y - M1/4" x F1/4" x F1/4"
21	80097	1/4" certified outer threaded safety valve 11 bar
22	80080	Female quick fit coupling outer threaded 1/4" Ø 6
23	90237	1/8" low-pressure male plug
24	90014	Superimposed 1/4" regulator filter
25	70027	1/4" MaleC x 1/4" MaleC low-pressure nipple
26	80448	M 20 waterproof cable gland
27	80059	EUROPRO 36 and 40 oil gauge
28	80056	EUROPRO 36 and 40 ventilator cover