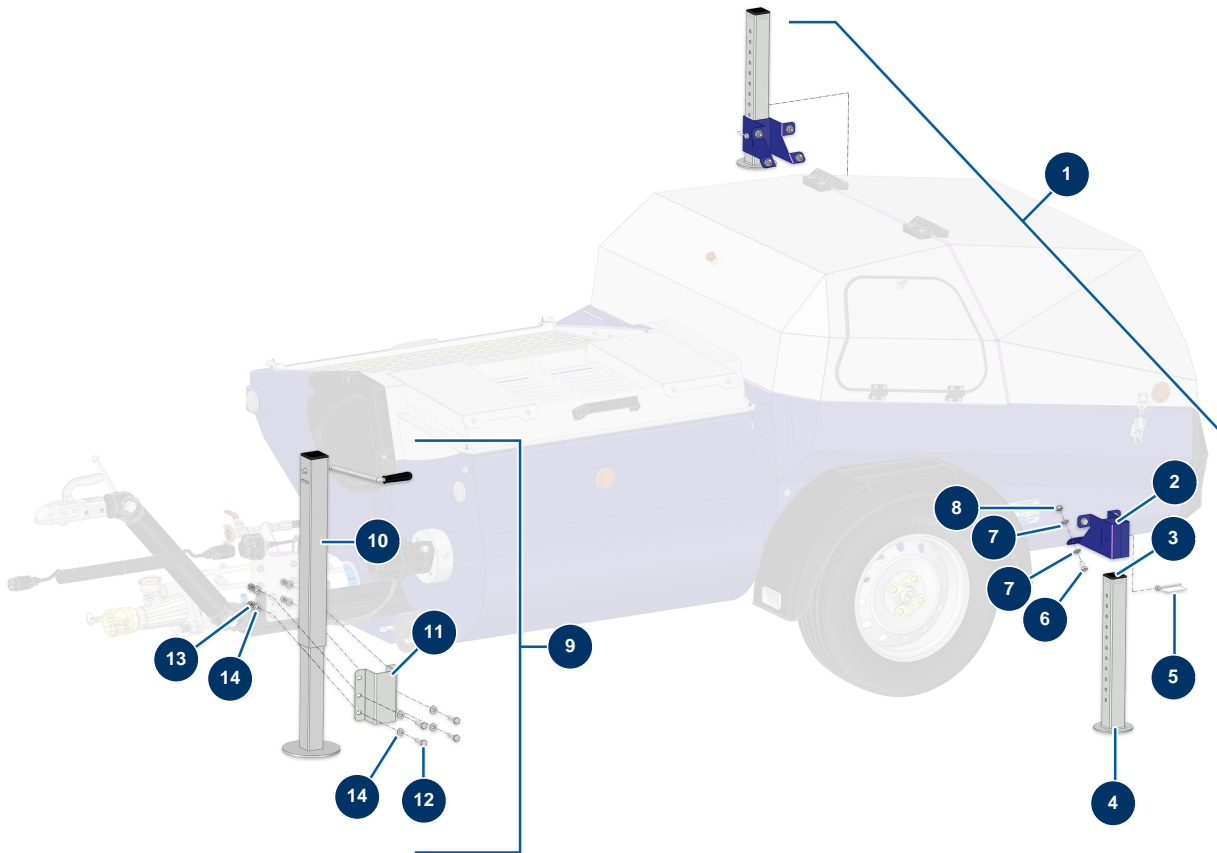


X-PRO E70 spraying machine - 400V TETRA V2 - Stand - Stabilizers (options)

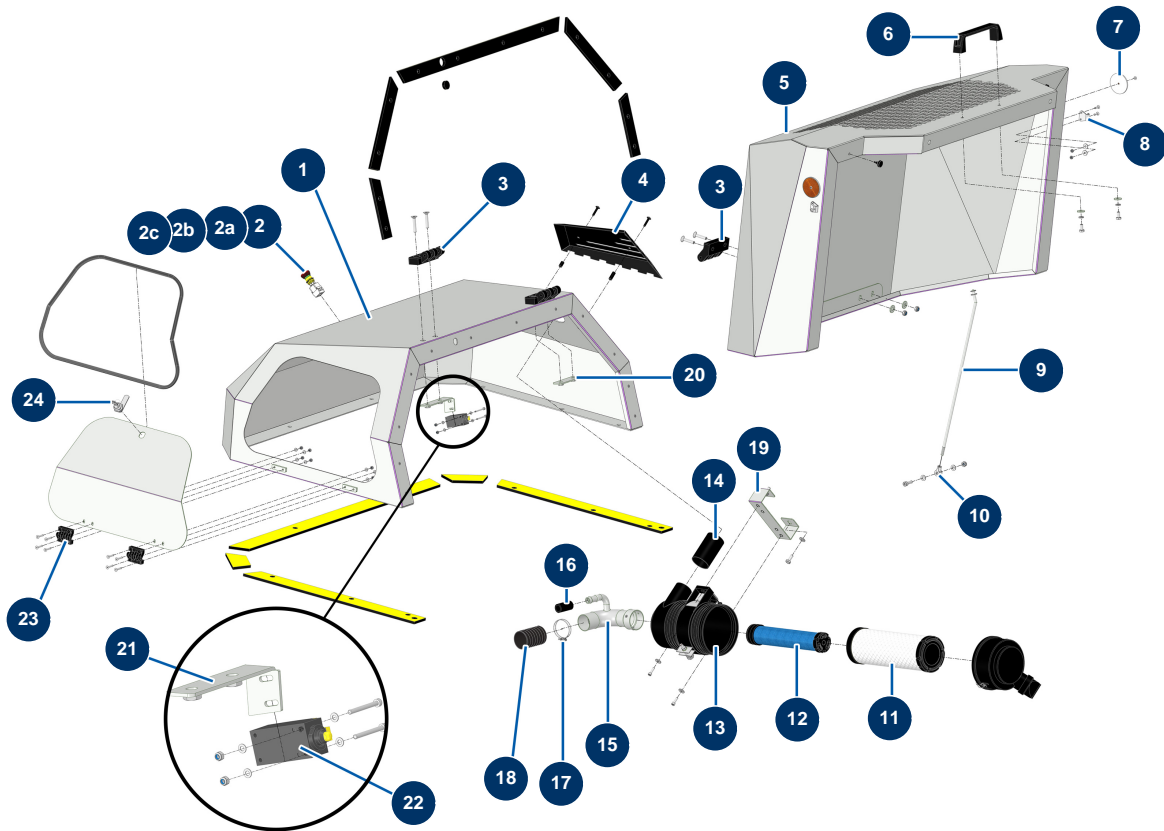


Détails des pièces

Pos.	Référence	Désignation
1	15327	Rear stabilizers option for X-PRO D60/80 & E70 version 2024
2	C23992	2
3	12665	Plastic end cap for 50 x 50 mm tube
4	C23988	4
5	15304	
6	30273	THEF 8 x 20 screw
7	30256	ø 8 inox narrow washer
7	30256	ø 8 inox narrow washer
8	13980	M 8 nylstop inox nut
9	14547	Stand option - X-PRO D60 to 85
10	13106	Retractable stand - CP 60
11	C22595	11
12	12934	THEF 10 x 35 screw

Pos.	Référence	Désignation
13	60013	M 10 nylstop nut
14	80261	∅ 10 inox medium washer
14	80261	∅ 10 inox medium washer

X-PRO E70 spraying machine - 400V TETRA V2 - Bodywork

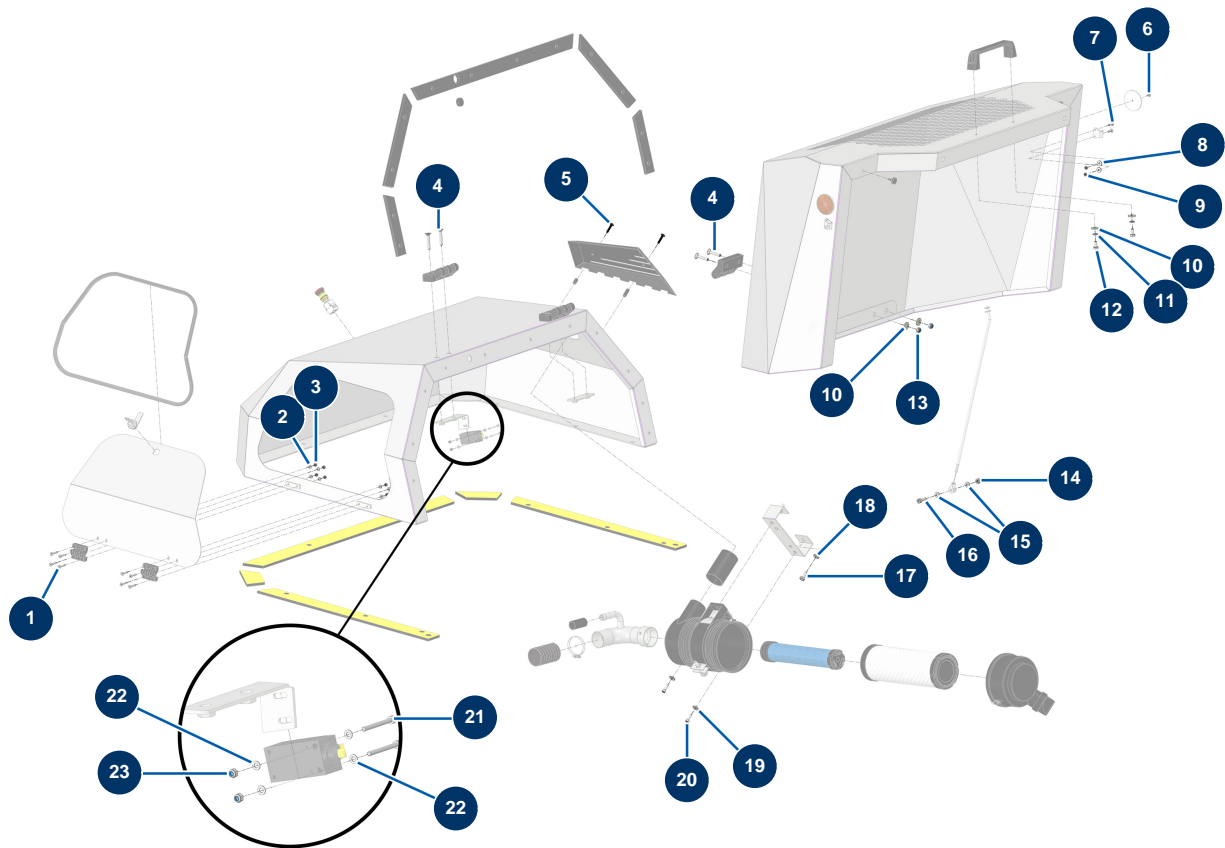


Détails des pièces

Pos.	Référence	Désignation
1	C23743	1
2	90727	Hook emergency stop button - CP 60
2a	12664	Security switch adapter / emergency stop button - C.P 60
2b	80448	M 20 waterproof cable gland
2c	12663	Push safety switch - C.P. 60
3	12797	Hood hinge - C.P 60
3	12797	Hood hinge - C.P 60
4	C23749	4
5	C23756	
6	1042523	CP 60 grid handle
7	12361	Round & orange reflector - C.P 60
8	15022	Adjustable toggle locking hook
9	C23859	9

Pos.	Référence	Désignation
10	13240	
11	30762	Donaldson filter standard air cartridge for KOHLER KDW 1003 & 1404 motors
12	30763	Donaldson filter safety air cartridge for KOHLER KDW 1003 & 1404 motors
13	30761	Complete Donaldson cyclonic air filter for KOHLER KDW 1003 & 1404 engine
14	C23744	14
15	C22280	15
16	10727	
17	12723	Double wire clamp ø 56 x 65 - CP 60
18	12538	PVC GAS sheath Ø 50 by the metre - C.P 60
19	C23746	19
20	C23738	20
21	C24070	21
22	12663	Push safety switch - C.P. 60
23	13036	
24	13035	

X-PRO E70 spraying machine - 400V TETRA V2 - Bodywork (screws and bolts)

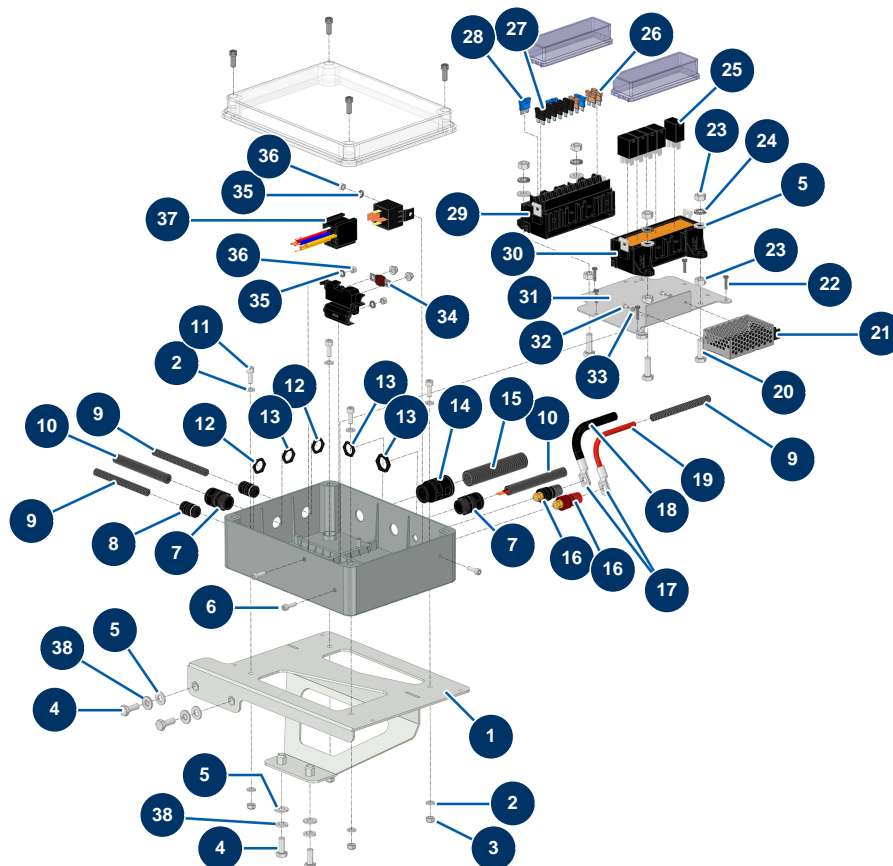


Détails des pièces

Pos.	Référence	Désignation
1	12121	5 x 25 countersunk head screw
2	70085	ø 5 narrow washer
3	11880	M 5 nylstop nut
4	13620	8 x 45 countersunk head screw
4	13620	8 x 45 countersunk head screw
5	15499	
6	12463	ø 5 x 16 aluminium POP rivet
7	90130	5 x 16 countersunk head screw
8	30290	ø 5 large washer
9	70086	M 5 nylstop inox nut
10	30292	ø 8 inox large washer
10	30292	ø 8 inox large washer
11	80269	Grower washer ø 8

Pos.	Référence	Désignation
12	30295	THEF 8 x 16 screw
13	90127	M 8 nylstop nut
14	13980	M 8 nylstop inox nut
15	30256	ø 8 inox narrow washer
16	12783	8 x 25 cylindrical head screw
17	30273	THEF 8 x 20 screw
18	80260	ø 8 inox medium washer
19	30291	ø 6 large washer
20	90996	6 x 20 inox cylindrical head screw
21	11403	4 x 40 cylindrical head screw
22	30267	ø 4 inox narrow washer
22	30267	ø 4 inox narrow washer
23	30266	M 4 nylstop nut

X-PRO E70 spraying machine - 400V TETRA V2 - Electrical box



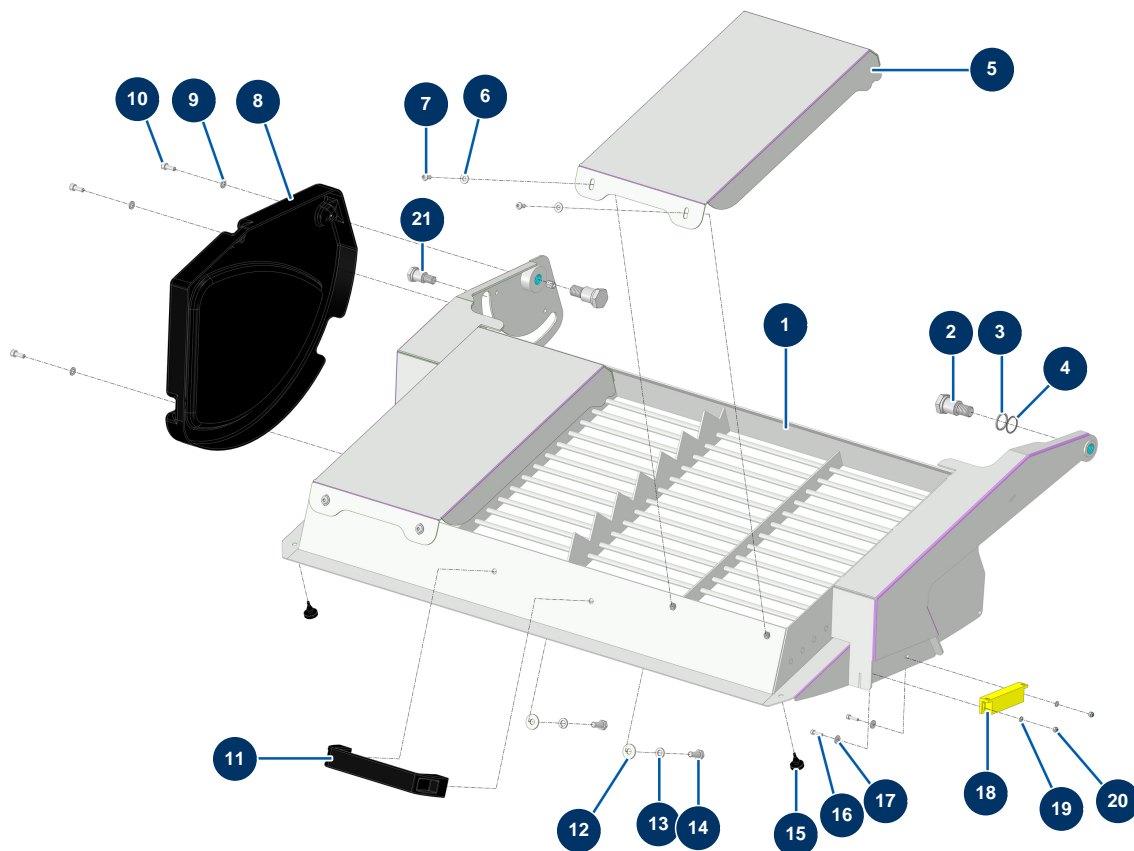
Détails des pièces

Pos.	Référence	Désignation
1	C23774	1
2	70087	∅ 6 inox narrow washer
2	70087	∅ 6 inox narrow washer
3	14217	M 6 nylstop inox nut
4	30273	THEF 8 x 20 screw
4	30273	THEF 8 x 20 screw
5	80260	∅ 8 inox medium washer
5	80260	∅ 8 inox medium washer
5	80260	∅ 8 inox medium washer
6	90160	5 x 16 cylindrical head screw
7	11622	Black plastic packing M 20
7	11622	Black plastic packing M 20
8	80445	Watertight cable gland of M16

Pos.	Référence	Désignation
9	20508	9
9	20508	9
9	20508	9
10	20509	10
10	20509	10
11	90157	M6 x 16 cylindrical head screw - CP 60
12	11327	Cable gland locknut of M16
12	11327	Cable gland locknut of M16
13	11197	M 20 cable gland nut
13	11197	M 20 cable gland nut
13	11197	M 20 cable gland nut
14	20512	
14	20512	
15	20510	15
16	15477	Water treatment plant connection terminal
16	15477	Water treatment plant connection terminal
17	14899	
18	14900	16 mm ² black battery cable by the metre
19	20489	19
20	11544	THEF 8 x 25 screw
21	15072	12VDC / 24VDC transformer
22	310022	22
23	90440	M 8 zinc plated nut
23	90440	M 8 zinc plated nut
24	80266	
25	15549	
26	15547	
27	15546	
28	15548	
29	15544	
30	15545	
31	C24049	
32	13329	3 x 6 cylindrical head screw
33	12108	∅ 3 inox narrow washer

Pos.	Référence	Désignation
34	15551	34
35	310008	
35	310008	
36	90775	M 5 nut
36	90775	M 5 nut
37	15552	
38	80269	Grower washer ø 8
38	80269	Grower washer ø 8

X-PRO E70 spraying machine - 400V TETRA V2 - Mixer grid

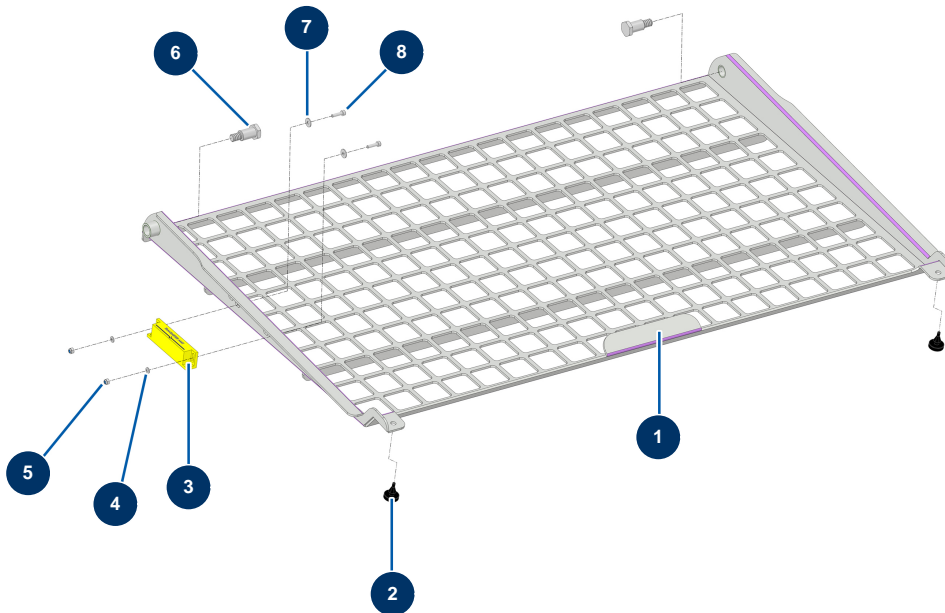


Détails des pièces

Pos.	Référence	Désignation
1	C23800	1
2	M20013	Pivot pin for CP 60 & 80 anti-dust grid
3		3
4		4
5	C24064	5
6	80259	Ø 6 medium washer
7	13197	Inox mushroom head screw M 6 x 12
8	14221	
9	70087	ø 6 inox narrow washer
10	90157	M6 x 16 cylindrical head screw - CP 60
11	1042523	CP 60 grid handle
12	30292	ø 8 inox large washer
13	80269	Grower washer ø 8

Pos.	Référence	Désignation
14	30273	THEF 8 x 20 screw
15	12385	Mobile hood foam rubber stop - C.P 60
16	90137	4 x 16 cylindrical head screw
17	90129	ø 4 inox large washer
18	13468	Safety grid captor coded magnet for JETMIX, MIXPRO 14, 70 & 100
19	30267	ø 4 inox narrow washer
20	30266	M 4 nylstop nut
21	M10921	Anti-dust grid locking pin X-PRO D60/80

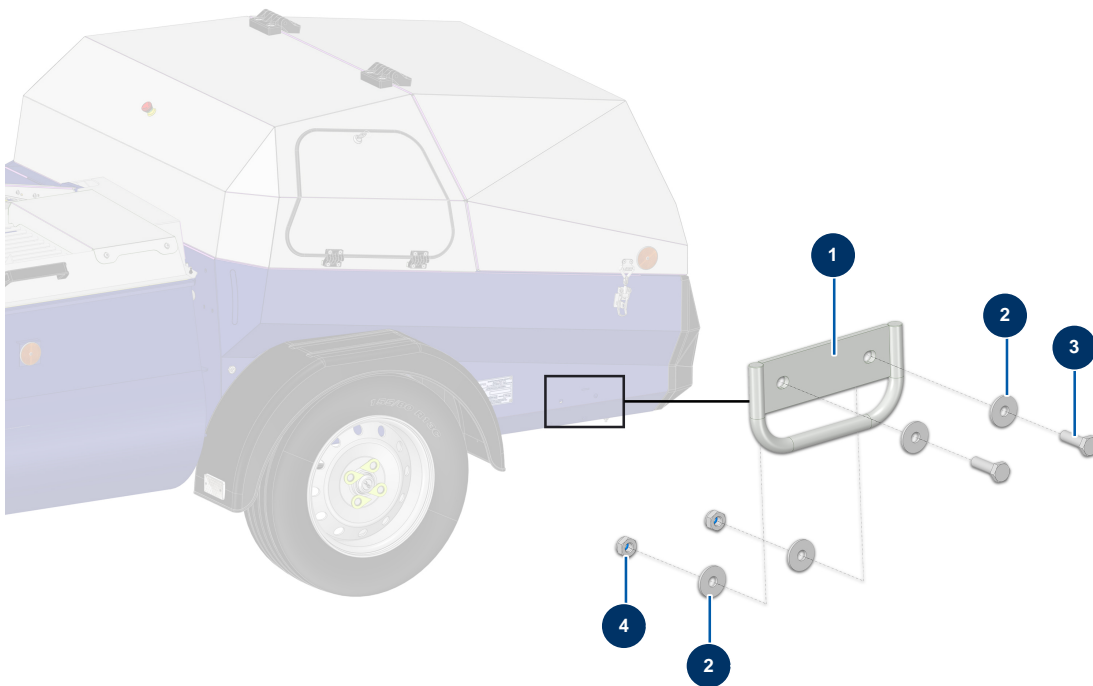
X-PRO E70 spraying machine - 400V TETRA V2 - Hopper grid



Détails des pièces

Pos.	Référence	Désignation
1	C22140	Mortar hopper grid CP 60 & 80
2	12385	Mobile hood foam rubber stop - C.P 60
3	13468	Safety grid captor coded magnet for JETMIX, MIXPRO 14, 70 & 100
4	30267	ø 4 inox narrow washer
5	30266	M 4 nylstop nut
6	m20016	Pivot pin for CP 60 & 80 mortar hopper grid
7	90129	ø 4 inox large washer
8	90137	4 x 16 cylindrical head screw

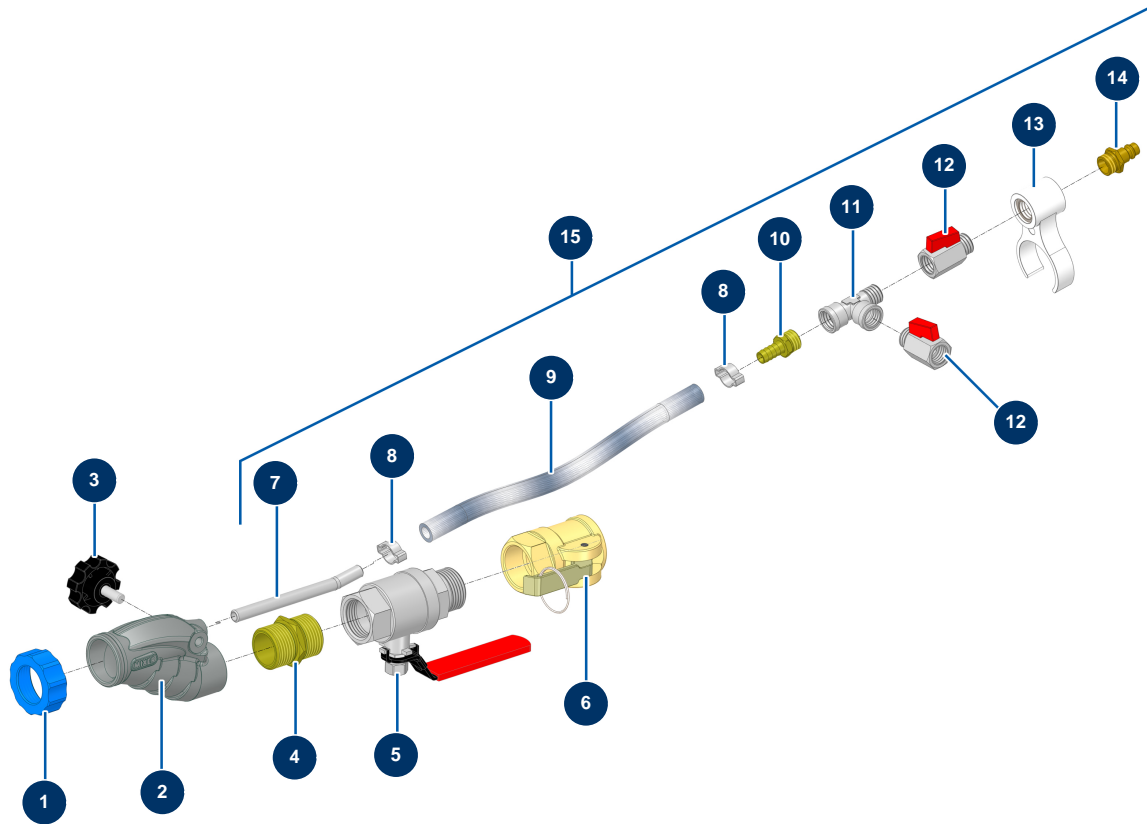
X-PRO E70 spraying machine - 400V TETRA V2 - Lifting kit (option)



Détails des pièces

Pos.	Référence	Désignation
1	C20976	Chassis docking support CP 60 version 7.13
2	80263	Very large inox washer Ø 8
2	80263	Very large inox washer Ø 8
3	11544	THEF 8 x 25 screw
4	90127	M 8 nylstop nut

X-PRO E70 spraying machine - 400V TETRA V2 - Spraying lance

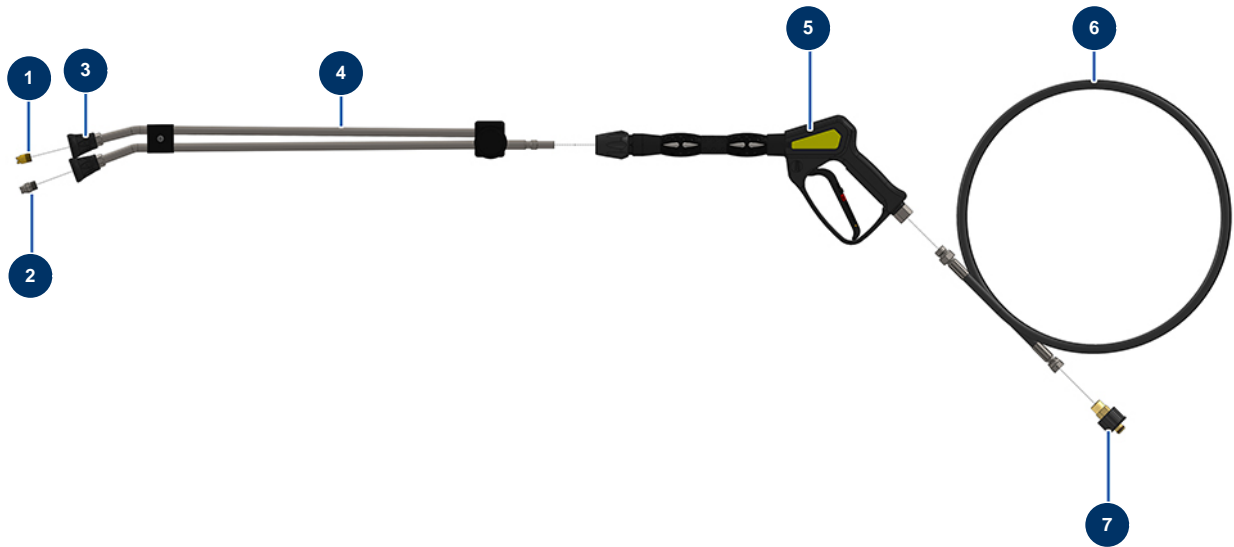


Détails des pièces

Pos.	Référence	Désignation
1	11817	Blue ring for mortar lance
2	12725	Inner threaded 1" aluminium lance machined body
3	11514	Plastic thumb wheel M8 x 20
4	12527	1" MaleD x 1" MaleD - CP 60 low-pressure nipple
5	12592	C.P 60 spraying lance 1"M-F detachable valve
6	12374	C.P 60 spraying lance 1" inner threaded steel cam single coupler
7	M10326	Lance air injector without hose - C.P 60
8	80429	Ear clamp 15 x 18
8	80429	Ear clamp 15 x 18
9	50003	Clear braided PVC hose Ø 10 x 16 by the metre
10	80325	3/8 corrugated outer threaded coupling Ø 10
11	12530	M3/8" x F3/8" x F3/8" low pressure T
12	30136	3/8" mini lux valve

Pos.	Référence	Désignation
12	30136	3/8" mini lux valve
13	11506	Traditional lance junction circlip
14	70044	3/8" outer threaded male quick fit coupling
15	15527	

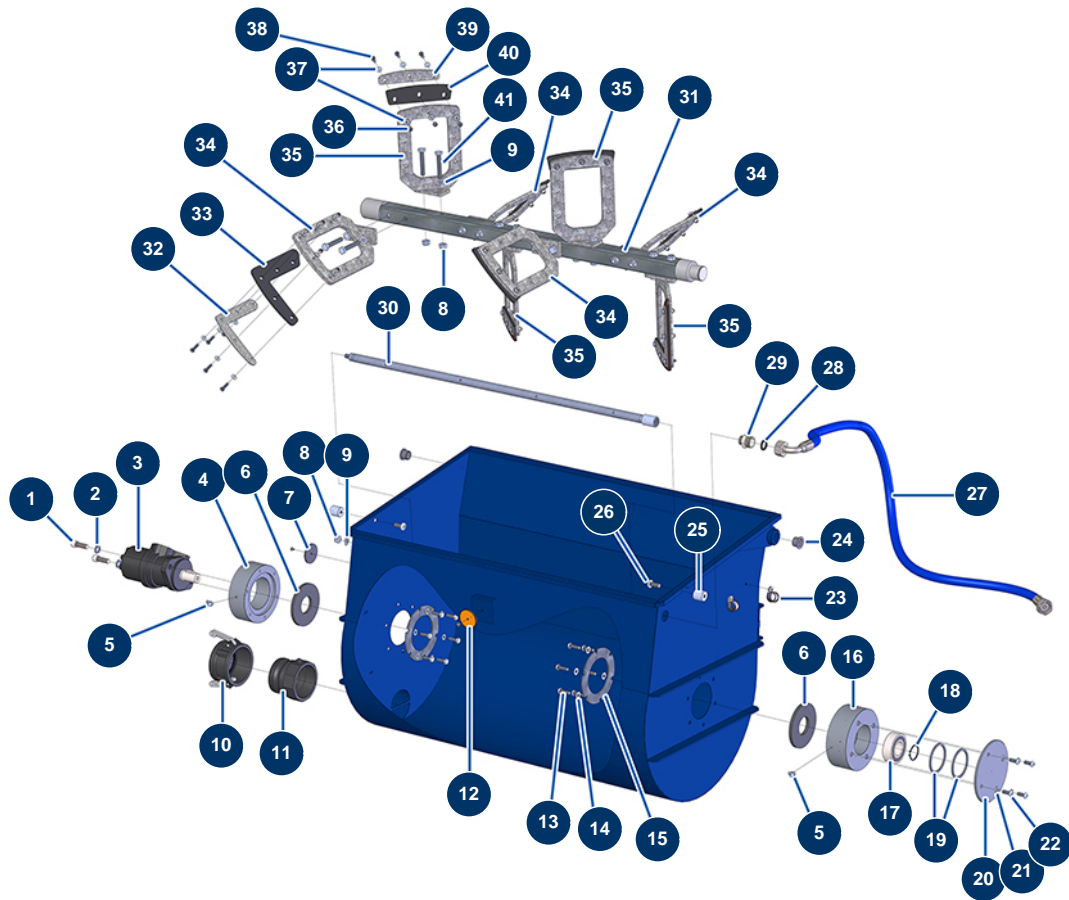
X-PRO E70 spraying machine - 400V TETRA V2 - High pressure washer lance (option)



Détails des pièces

Pos.	Référence	Désignation
1	90307	Low pressure nozzle 50°-40
2	90305	High pressure nozzle 15°-45
3	12415	Double elbow lance hose nozzle holder, 600 mm, KW coupler
4	12166	Double elbow lance hose 600 mm, KW coupler
5	12165	Washer spray-gun with protected hose 310 bars, KW coupler
6	12071	Washer hose Ø 8-315 bar 10 metres
7	90328	M22-150 F x 3/8 M female quick fit attachment

X-PRO E70 spraying machine - 400V TETRA V2 - Mixer



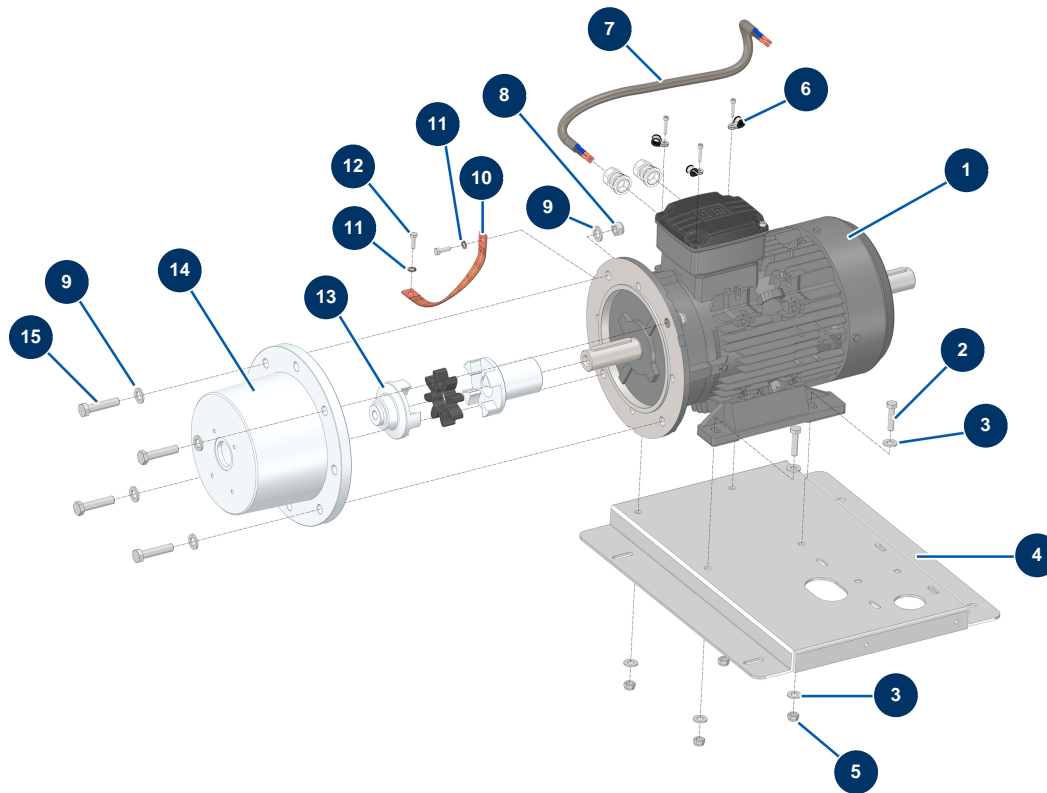
Détails des pièces

Pos.	Référence	Désignation
1	12461	12 x 35 cylindrical head screw
2	12462	Grower washer ø 12
3	12403	Hydraulic motor BMR 250 mixer - CP 60
4	M10244	Mixer motor bearing housing - CP60
5	12397	45° x M6 greaser - C.P 60
5	12397	45° x M6 greaser - C.P 60
6	12511	Tank base gasket - C.P 60
6	12511	Tank base gasket - C.P 60
7	12362	Round & white reflector - C.P 60
8	60013	M 10 nylstop nut
8	60013	M 10 nylstop nut
9	30280	ø 10 inox narrow washer
9	30280	ø 10 inox narrow washer

Pos.	Référence	Désignation
10	13171	Polypro 3" female cam plug - C.P 60
11	13172	Polypro 3" threaded adapter - C.P 60
12	12361	Round & orange reflector - C.P 60
13	11544	THEF 8 x 25 screw
14	30256	∅ 8 inox narrow washer
15	C20389	Reinforcement washer - CP60
16	M10243	Mixer bearing - CP 60
17	12479	Self-aligning ball bearing Ø 35 x 72 x 23 - C.P 60
18	12481	Ø 35 outer circlip - CP 60
19	M10293	Mixer hopper bearing wedging ring - C.P 60
20	C20510	CP60 V17 bearing block cover
21	80269	Grower washer ∅ 8
22	12111	8 x 20 inox cylindrical pan head screw
23	13179	∅ 20 cable collar - CP 60
24	12418	Bearing with flange 20/23 x 16 - C.P 60
25	M20005	Slide pin for mixer tank CP 60, 70 & 80
26	14169	10 x 25 inox cylindrical pan head screw
27	13625	Flexible hose 221 - mixer hopper water supply - C.P 60 from 11/2015
28	11618	3/4" red fiber flat gasket
29	11891	1/2" MaleD x 3/4" MaleD low-pressure nipple
30	C20605	Mixer water distribution ramp - C.P 60
31	C20568	CP 60 V17 tank bottom driveshaft
32	C22153	CP 60 2017 blade end flap tightening plate
33	14127	CP 60 & 80 mixer end blade flap
34	C20422	Mixing right paddle - C.P 60
34	C20422	Mixing right paddle - C.P 60
34	C20422	Mixing right paddle - C.P 60
34	C20422	Mixing right paddle - C.P 60
35	C20421	Mixing left paddle - C.P 60
35	C20421	Mixing left paddle - C.P 60
35	C20421	Mixing left paddle - C.P 60
35	C20421	Mixing left paddle - C.P 60
36	14217	M 6 nylstop inox nut
37	80259	∅ 6 medium washer

Pos.	Référence	Désignation
38	14218	THEF 6 x 25 inox screw
39	C22152	CP 60 2017 blade flap tightening plate
40	14128	CP 60 & 80 mixer blade flap
41	30261	THEF 10 x 60 screw

X-PRO E70 spraying machine - 400V TETRA V2 - Motorisation

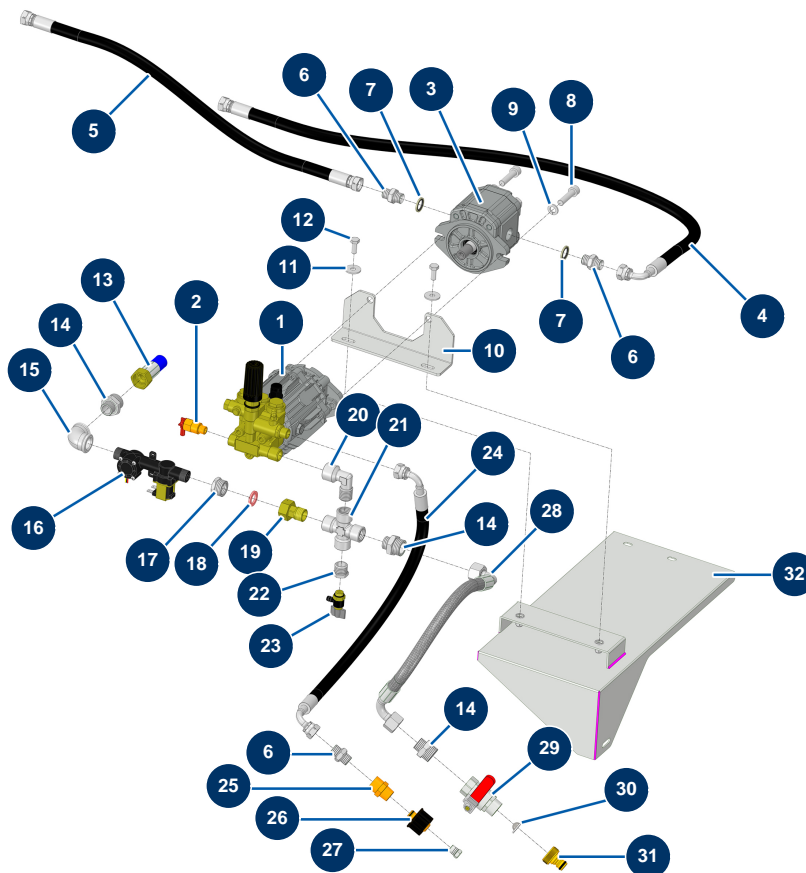


Détails des pièces

Pos.	Référence	Désignation
1	14433	Foot mounted electric motor 15 kW - T160 - B3 - 2800 rpm - 400/690V
2	12467	THEF 12 x 50 screw
3	14102	ø 12 inox medium washer
3	14102	ø 12 inox medium washer
4	C24174	4
5	10051	M 12 nylstop nut
6	13951	ø 12 cable collar - CP 60
7	14442	Shielded cable 4 x 6 by the metre
8	90491	M 16 nylstop nut
9	30288	ø 16 inox narrow washer
9	30288	ø 16 inox narrow washer
10	12353	Bonding strap - C.P 60
11	80266	

Pos.	Référence	Désignation
11	80266	
12	11544	THEF 8 x 25 screw
13	14427	T160 electric motor elastic coupling GR2 hydraulic pump
14	14426	Lantern ø 350 electric motor T160 hydraulic pump GR2
15	12872	THEF 16 x 70 screw

X-PRO E70 spraying machine - 400V TETRA V2 - High-pressure washer - Water meter

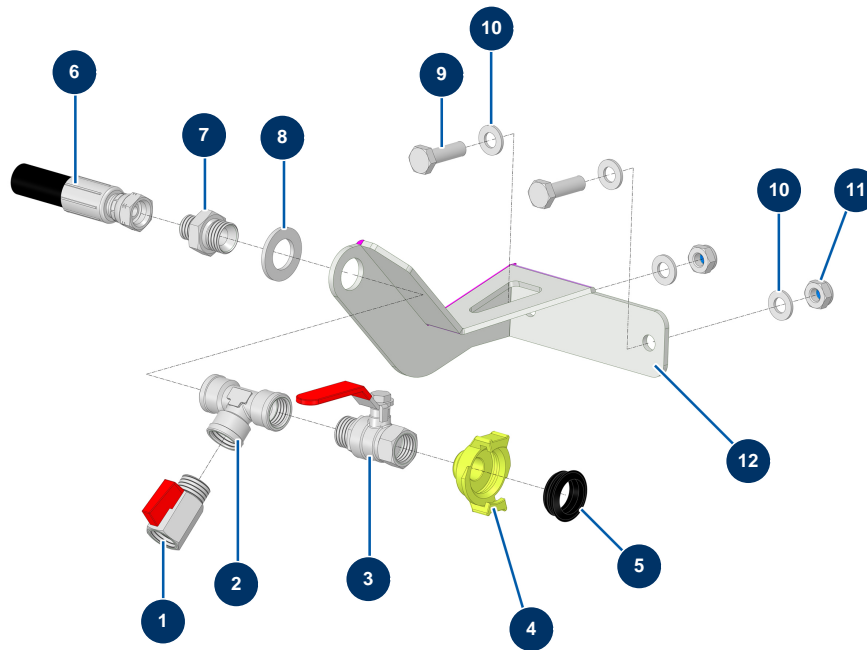


Détails des pièces

Pos.	Référence	Désignation
1	90352	Pump 11 litres 140 bar - C.P 60
2	13101	1/4" thermostatic valve
3	12406	Washer 6 cc single-direction hydraulic motor - CP 60
4	15271	
5	15272	
6	90698	3/8" MaleD x 3/8" MaleD high-pressure nipple
6	90698	3/8" MaleD x 3/8" MaleD high-pressure nipple
6	90698	3/8" MaleD x 3/8" MaleD high-pressure nipple
7	91031	Steel gasket for hollow screw with 3/8 lip
7	91031	Steel gasket for hollow screw with 3/8 lip
8	12522	10 x 40 cylindrical head screw
9	80270	Grower washer ø 10
10	C23208	10

Pos.	Référence	Désignation
11	30292	ø 8 inox large washer
12	30273	THEF 8 x 20 screw
13	15273	
14	11891	1/2" MaleD x 3/4" MaleD low-pressure nipple
14	11891	1/2" MaleD x 3/4" MaleD low-pressure nipple
14	11891	1/2" MaleD x 3/4" MaleD low-pressure nipple
15	MI3G00509002	90° galvanised elbow 1/2" FemaleC x 1/2" FemaleC
16	15328	Flowmeter electrovalve 12VDC G1/2
17	14980	3/4" MaleD x 1/2" FemaleD low-pressure reduction
18	11618	3/4" red fiber flat gasket
19	15015	
20	90483	Elbow BP 90° 1/2 MaleC x 1/2 FemaleD
21	12064	X BP 4 x 1/2"Female
22	30119	1/2" MaleC x 1/4" FemaleD low-pressure reduction
23	15089	
24	15274	
25	90336	L M22-150 M x 3/8 F male quick fit attachment
26	90326	M22-150 x 1/4 F female C quick fit attachment
27	90842	1/4" high-pressure MaleC plug
28	15270	
29	90012	Red handle valve M3/4" x F3/4"
30	80128	Filter for 3/4" brass quick connector
31	80124	Inner threaded 3/4" quick connector
32	C24224	32

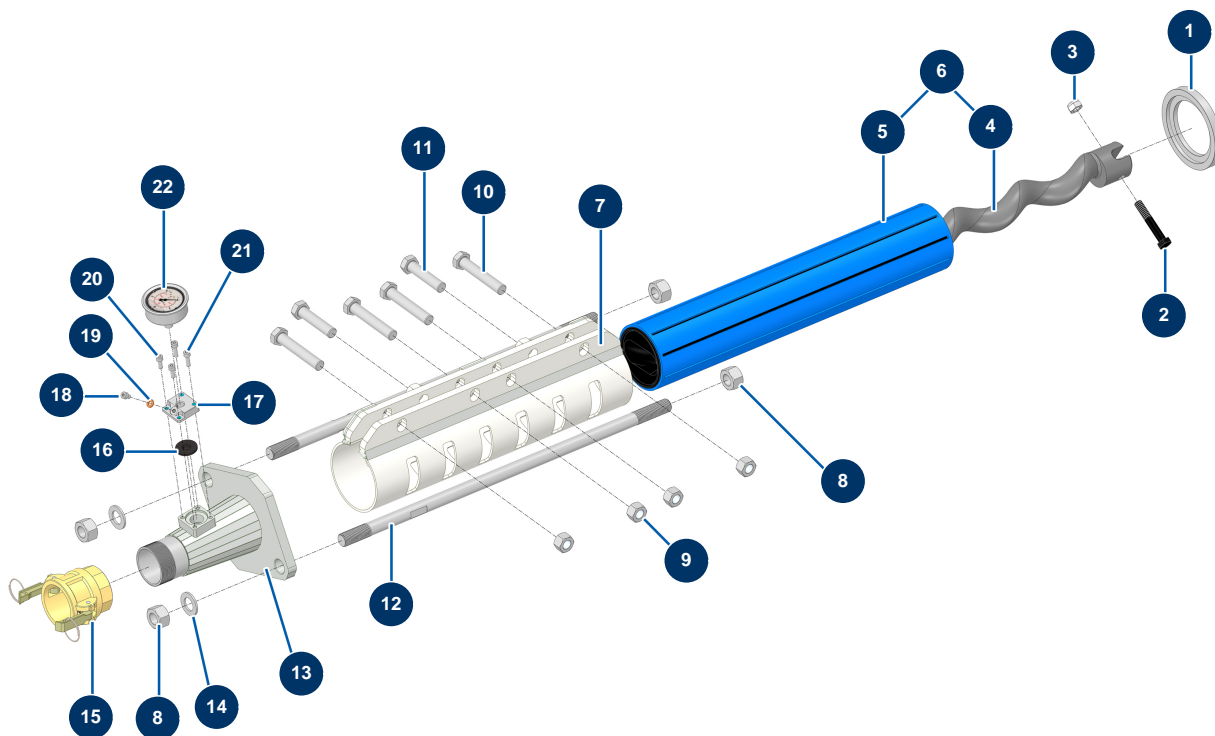
X-PRO E70 spraying machine - 400V TETRA V2 - Air outlet plate (option)



Détails des pièces

Pos.	Référence	Désignation
1	30137	1/2" mini lux valve
2	12105	F1/2" x F1/2" x F1/2" low pressure T
3	90023	Red handle valve M1/2" x F1/2"
4	MI3A00100302	1/2" outer threaded Geka coupling
5	MI3A00100502	Domed rubber gasket for Geka coupling
6	15389	
7	90872	1/2" MaleD x 3/8" MaleD high-pressure nipple
8	10141	ø 20 inox narrow washer
9	12934	THEF 10 x 35 screw
10	30280	ø 10 inox narrow washer
10	30280	ø 10 inox narrow washer
11	60013	M 10 nylstop nut
12	C22309	12

X-PRO E70 spraying machine - 400V TETRA V2 - Pump

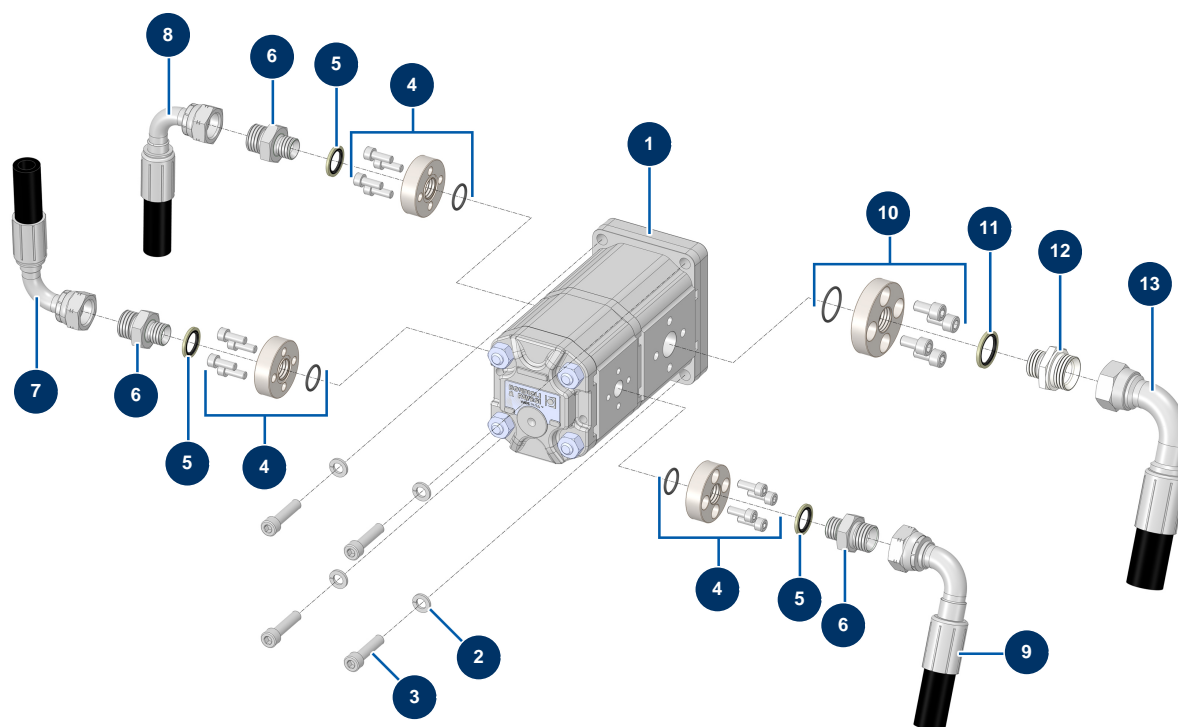


Détails des pièces

Pos.	Référence	Désignation
1	M10361	CP60 stator centring ring
2	12520	12 x 70 THPF screw, black 10.9
3	10051	M 12 nylstop nut
4	MI7009008800	EUROPRO JUMBO pump rotor
5	MI3F00503800	EUROPRO JUMBO SX 8 slits pump stator
6	30905	EUROPRO MAP 11 JUMBO pump rotor/stator kit
7	C20766	MAP10 clamping jacket - CP60 V17
8	12473	M 20 nut
8	12473	M 20 nut
9	80066	M 16 nut
10	12472	THEF 16 x 90 screw
11	12872	THEF 16 x 70 screw
12	M10281	595 mm fastening tie rod for CP 60

Pos.	Référence	Désignation
13	C20500	Pump head clamp for 2L6 stator - C.P 60
14	10141	∅ 20 inox narrow washer
15	12364	2" camlock steel coupling, inner threaded 2" - CP 60
16	MI4920006000	Membrane
17	M10079	MIXPRO 14 cage cover
18	12625	6 x 8 cylindrical head screw
19	12765	Copper seal for JETPRO 80 pump nose
20	90157	M6 x 16 cylindrical head screw - CP 60
21	90996	6 x 20 inox cylindrical head screw
22	80070	Axial manometer 1/4" conical oil 50 mm 0 to 60 bar

X-PRO E70 spraying machine - 400V TETRA V2 - Hydraulic pump

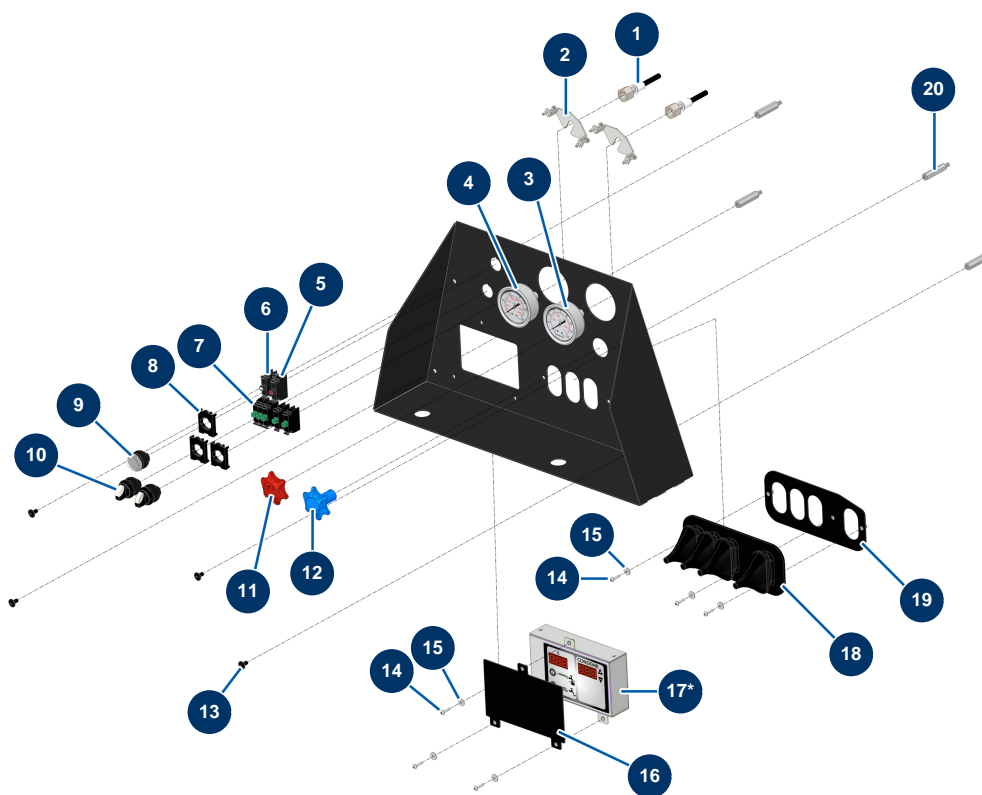


Détails des pièces

Pos.	Référence	Désignation
1	14125	Double hydraulic pump 20 + 8 cc.
2	80269	Grower washer \varnothing 8
3	90150	8 x 35 cylindrical head screw
4	14517	4 hole inner threaded flange 3/8" BSP centre distance 30 + M6 screw
4	14517	4 hole inner threaded flange 3/8" BSP centre distance 30 + M6 screw
4	14517	4 hole inner threaded flange 3/8" BSP centre distance 30 + M6 screw
5	91031	Steel gasket for hollow screw with 3/8 lip
5	91031	Steel gasket for hollow screw with 3/8 lip
5	91031	Steel gasket for hollow screw with 3/8 lip
6	90872	1/2" MaleD x 3/8" MaleD high-pressure nipple
6	90872	1/2" MaleD x 3/8" MaleD high-pressure nipple
6	90872	1/2" MaleD x 3/8" MaleD high-pressure nipple
7	15394	

Pos.	Référence	Désignation
8	15263	
9	15507	
10	14518	4 hole inner threaded flange 1/2" BSP centre distance 40 + M8 screw
11	91032	Steel gasket for hollow screw with 1/2" lip
12	12733	1/2" MaleD x 3/4" MaleD high-pressure nipple
13	15391	

X-PRO E70 spraying machine - 400V TETRA V2 - Control panel



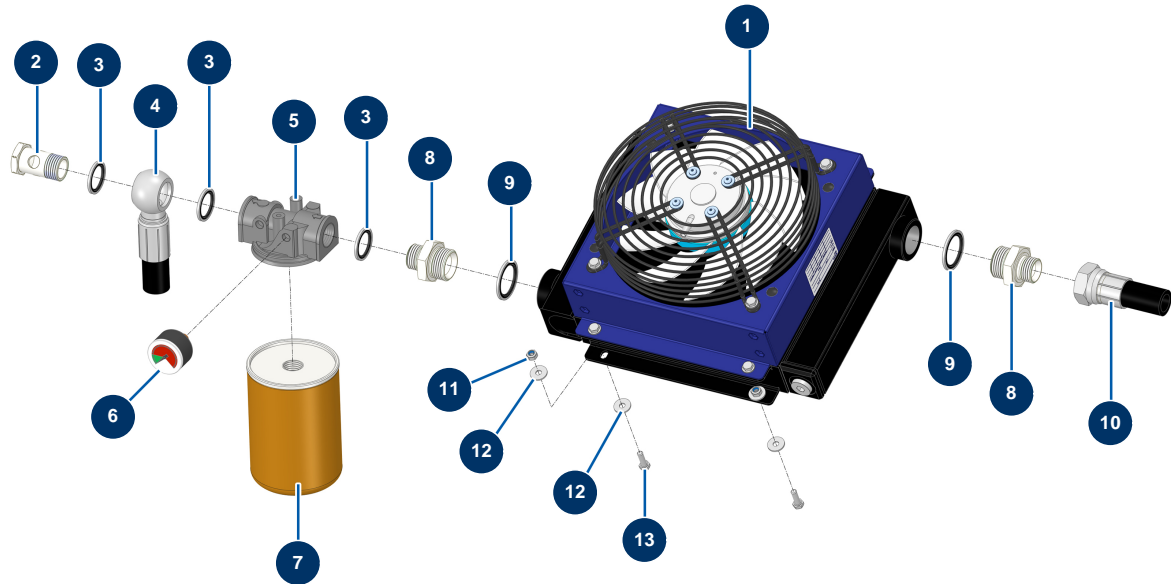
*Uniquement avec l'option compteur d'eau. / Only with water meter option.

Détails des pièces

Pos.	Référence	Désignation
1	13027	Manometer hose 400 mm 1/4"F (mano) x 1 banjo Ø 14 mm - C.P 60
2	80195	Fixing U-blot for manometer Ø 63
3	12342	Cylindrical 1/4" axial manometer 63 mm 0 to 160 bar - C.P 60
4	13207	Cylindrical 1/4 axial manometer 63 mm 0 to 250 bar - C.P 60
5	14483	Led Bulb 12/30 VAC/VDC red
6	14482	Led Bulb 12/30 VAC/VDC white
7	30028	Green single closed contact
8	30036	3-contact U-bolt
9	90729	Transparent indicator button
10	90731	3-position button
11	M10794	Compensated flow limiter handle 30L/min
12	M10941	
13	15497	

Pos.	Référence	Désignation
14	11721	4 x 16 inox cylindrical pan head screw
14	11721	4 x 16 inox cylindrical pan head screw
15	90129	ø 4 inox large washer
15	90129	ø 4 inox large washer
16	C24056	16
17*	15326	
18	13114	4-lever distributor protective diaphragm - C.P 60
19	C23762	19
20	15511	Male/Female Spacer M6 x 45

X-PRO E70 spraying machine - 400V TETRA V2 - Radiator

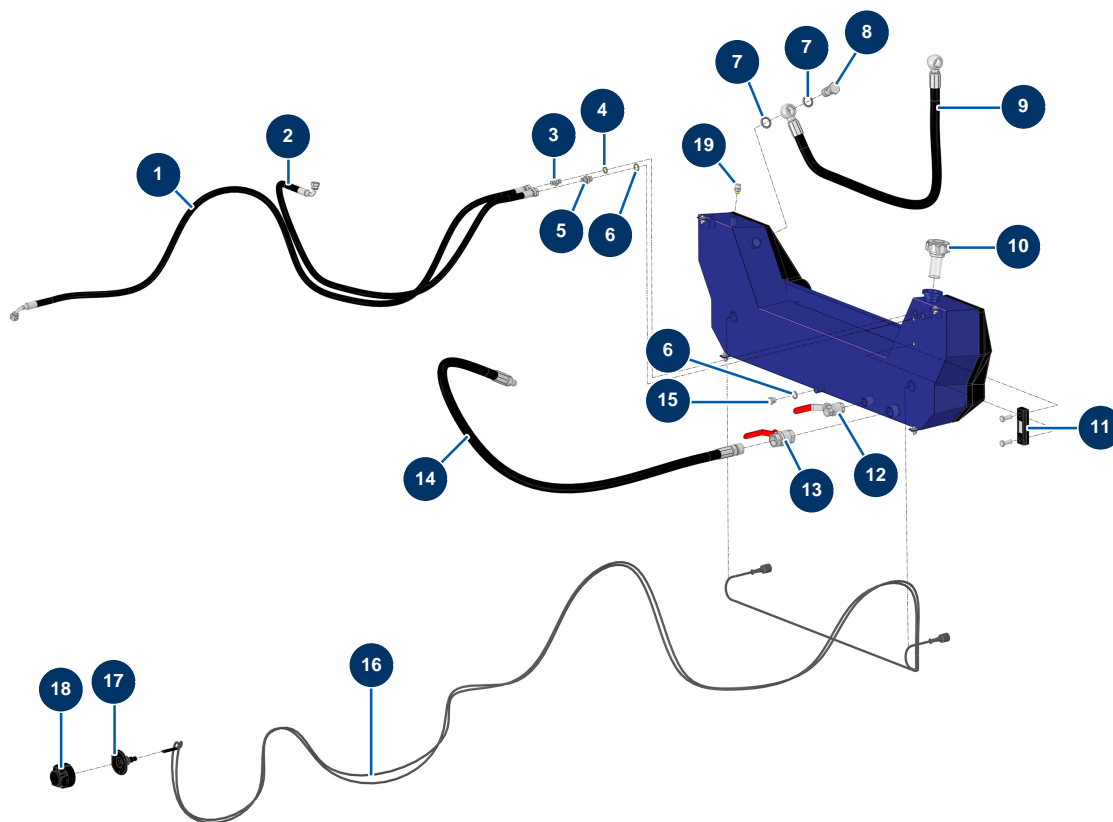


Détails des pièces

Pos.	Référence	Désignation
1	12721	
2	14733	3/4 BP drilled head screw
3	12573	Steel gasket for 3/4" hollow screw with lip
3	12573	Steel gasket for 3/4" hollow screw with lip
3	12573	Steel gasket for 3/4" hollow screw with lip
4	15269	
5	15305	
6	15306	
7	15307	
8	12569	3/4" MaleD x 1" MaleD high-pressure nipple
8	12569	3/4" MaleD x 1" MaleD high-pressure nipple
9	12572	Steel gasket for 1" hollow screw with lip
9	12572	Steel gasket for 1" hollow screw with lip

Pos.	Référence	Désignation
10	15264	
11	14217	M 6 nylstop inox nut
12	30291	ø 6 large washer
12	30291	ø 6 large washer
13	14539	THEF 6 x 20 screw

X-PRO E70 spraying machine - 400V TETRA V2 - Hydraulic tank

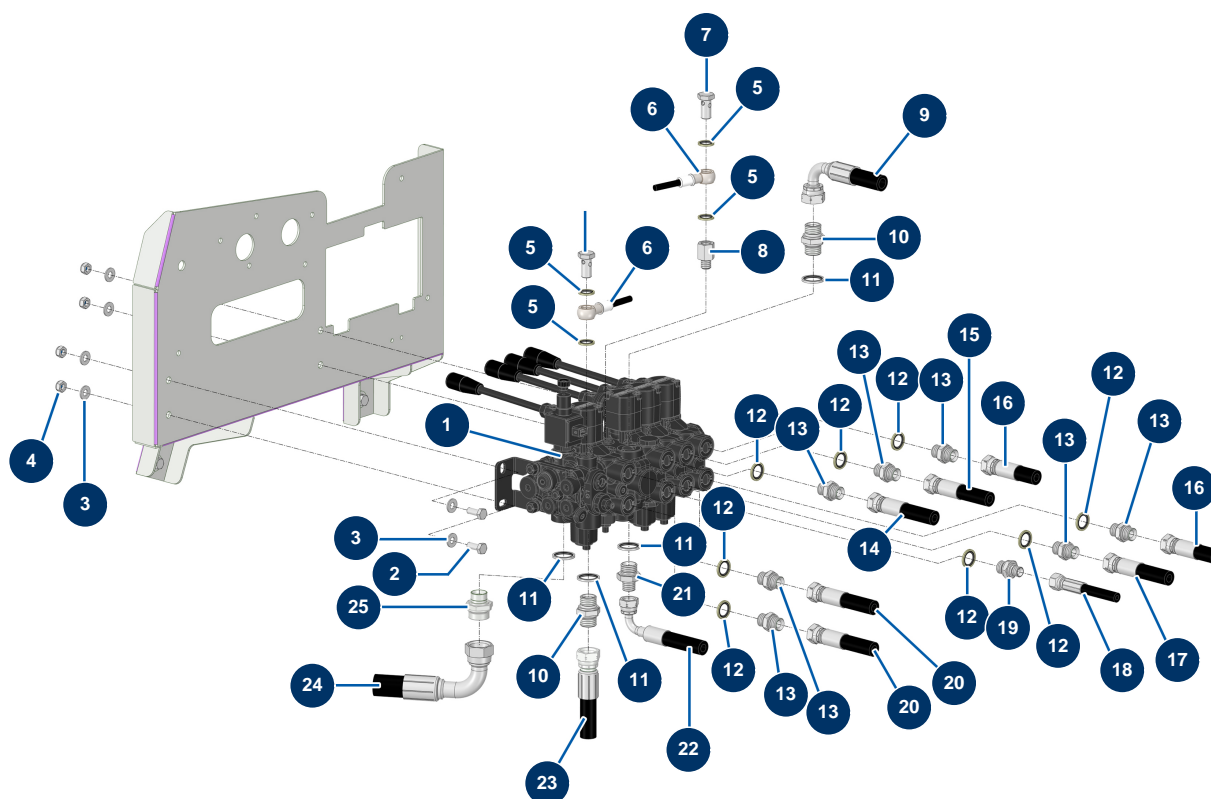


Détails des pièces

Pos.	Référence	Désignation
1	15390	
2	15393	
3	90703	1/4" MaleD x 1/4" MaleD high-pressure nipple
4	91016	Steel gasket for hollow screw with 1/4 lip
5	90698	3/8" MaleD x 3/8" MaleD high-pressure nipple
6	91031	Steel gasket for hollow screw with 3/8 lip
6	91031	Steel gasket for hollow screw with 3/8 lip
7	12573	Steel gasket for 3/4" hollow screw with lip
7	12573	Steel gasket for 3/4" hollow screw with lip
8	14733	3/4 BP drilled head screw
9	15269	
10	15321	
11	12326	Visual level of hydraulic tank - CP 60

Pos.	Référence	Désignation
12	11382	Red handle valve F3/4" x F3/4"
13	70031	Drain valve for EUROPRO 4-6-8-14 P, MPE, AG, 7000z, 9000z
14	15391	
15	90238	3/8" low-pressure male plug
16	12801	Complete lighting wiring harness 3.5 m - C.P 60
17	13283	Lighting metal 7-pin female socket foam rubber gasket - C.P 60
18	13282	Lighting metal 7-pin female socket - C.P 60
19	12504	

X-PRO E70 spraying machine - 400V TETRA V2 - Hydraulic control block support



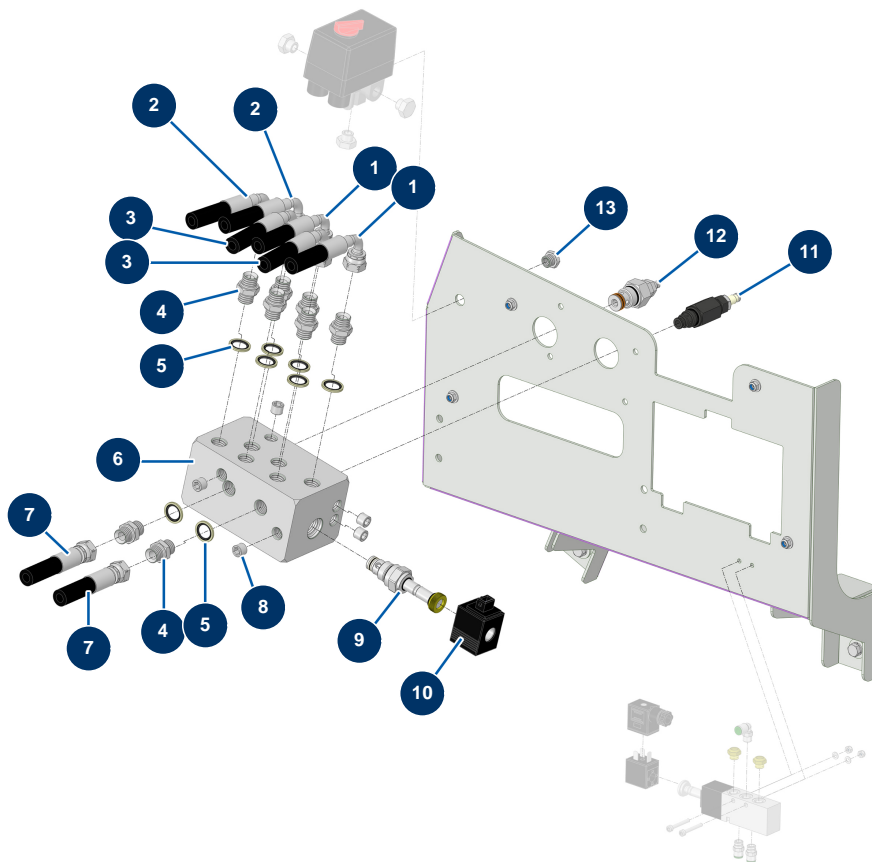
Détails des pièces

Pos.	Référence	Désignation
1	12332	5-way distributor with LP and integrated hopper Bypass - C.P 60
2	30273	THEF 8 x 20 screw
3	80260	ø 8 inox medium washer
3	80260	ø 8 inox medium washer
4	13980	M 8 nylstop inox nut
5	91016	Steel gasket for hollow screw with 1/4 lip
5	91016	Steel gasket for hollow screw with 1/4 lip
5	91016	Steel gasket for hollow screw with 1/4 lip
5	91016	Steel gasket for hollow screw with 1/4 lip
6	13027	Manometer hose 400 mm 1/4"F (mano) x 1 banjo Ø 14 mm - C.P 60
6	13027	Manometer hose 400 mm 1/4"F (mano) x 1 banjo Ø 14 mm - C.P 60
7	90863	1/4 drilled head screw
8	12667	1/4" MaleC x 1/4" FemaleD high-pressure nipple

Pos.	Référence	Désignation
9	15394	
10	90627	1/2" MaleD x 1/2" MaleD high-pressure nipple
10	90627	1/2" MaleD x 1/2" MaleD high-pressure nipple
11	91032	Steel gasket for hollow screw with 1/2" lip
11	91032	Steel gasket for hollow screw with 1/2" lip
11	91032	Steel gasket for hollow screw with 1/2" lip
11	91032	Steel gasket for hollow screw with 1/2" lip
12	91031	Steel gasket for hollow screw with 3/8 lip
12	91031	Steel gasket for hollow screw with 3/8 lip
12	91031	Steel gasket for hollow screw with 3/8 lip
12	91031	Steel gasket for hollow screw with 3/8 lip
12	91031	Steel gasket for hollow screw with 3/8 lip
12	91031	Steel gasket for hollow screw with 3/8 lip
12	91031	Steel gasket for hollow screw with 3/8 lip
12	91031	Steel gasket for hollow screw with 3/8 lip
12	91031	Steel gasket for hollow screw with 3/8 lip
12	91031	Steel gasket for hollow screw with 3/8 lip
12	91031	Steel gasket for hollow screw with 3/8 lip
13	90698	3/8" MaleD x 3/8" MaleD high-pressure nipple
13	90698	3/8" MaleD x 3/8" MaleD high-pressure nipple
13	90698	3/8" MaleD x 3/8" MaleD high-pressure nipple
13	90698	3/8" MaleD x 3/8" MaleD high-pressure nipple
13	90698	3/8" MaleD x 3/8" MaleD high-pressure nipple
13	90698	3/8" MaleD x 3/8" MaleD high-pressure nipple
13	90698	3/8" MaleD x 3/8" MaleD high-pressure nipple
14	15392	
15	15272	
16	15385	
16	15385	
17	15271	
18	15386	
19	90704	1/4" MaleD x 3/8" MaleD high-pressure nipple
20	15262	
20	15262	
21	80338	3/8" MaleC x 1/2" MaleD high-pressure nipple
22	15393	
23	15263	

Pos.	Référence	Désignation
24	15264	
25	12733	1/2" MaleD x 3/4" MaleD high-pressure nipple

X-PRO E70 spraying machine - 400V TETRA V2 - Hydraulic block support

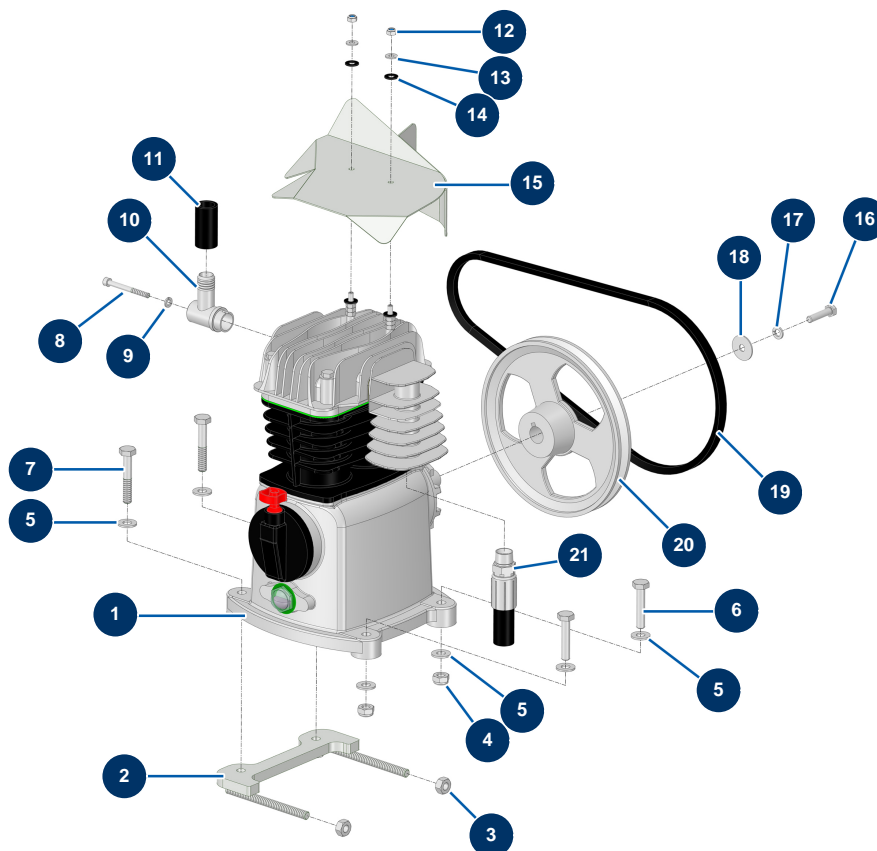


Détails des pièces

Pos.	Référence	Désignation
1	15385	
1	15385	
2	15388	
2	15388	
3	15387	
3	15387	
4	90698	3/8" MaleD x 3/8" MaleD high-pressure nipple
4	90698	3/8" MaleD x 3/8" MaleD high-pressure nipple
5	91031	Steel gasket for hollow screw with 3/8 lip
5	91031	Steel gasket for hollow screw with 3/8 lip
6	M10404	Speed regulator hydraulic block - CP 60
7	15262	
7	15262	

Pos.	Référence	Désignation
8	12576	1/4" MaleC Male high-pressure headless plug
9	12912	12V bypass valve - CP 60
10	13316	12V coil by-pass valve in cartridge - C.P 60
11	14969	Hopper cartridge 30L/min equalised flow limiter
12	13016	Mixer cartridge 45L/min single flow limiter - C.P 60
13	90240	1/4" MaleC x 1/8" FemaleD low-pressure reduction

X-PRO E70 spraying machine - 400V TETRA V2 - Compression head (option)

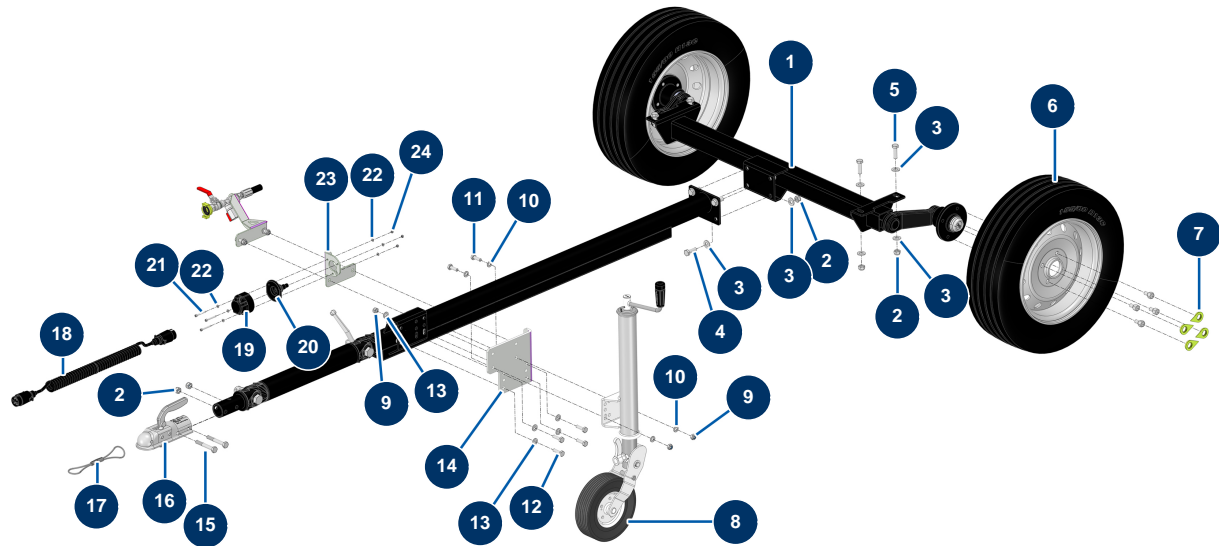


Détails des pièces

Pos.	Référence	Désignation
1	12653	KDT3.100/6-29MTKW5,5/6,6 IE2 BE compression head
2	C23772	2
3	90453	M 10 nut
4	60013	M 10 nylstop nut
5	80261	ø 10 inox medium washer
5	80261	ø 10 inox medium washer
5	80261	ø 10 inox medium washer
6	30260	THEF 10 x 50 screw
7	12770	10 x 60 THPF screw
8	12764	6 x 60 cylindrical head screw
9	80268	Grower washer Ø 6 - C.P 60
10	C20569	Compressor air inlet elbow - C.P 60
11	10727	

Pos.	Référence	Désignation
12	20004	M 6 nylstop nut
13	80259	Ø 6 medium washer
14	10067	7 x 16 rubber washer
15	C20813	Compressor air baffle - C.P 60
16	11545	THEF 8 x 35 inox screw
17	80269	Grower washer ø 8
18	80263	Very large inox washer Ø 8
19	12478	Compressor belt - C.P 60
20		20
21	15268	

X-PRO E70 spraying machine - 400V TETRA V2 - Steering gear

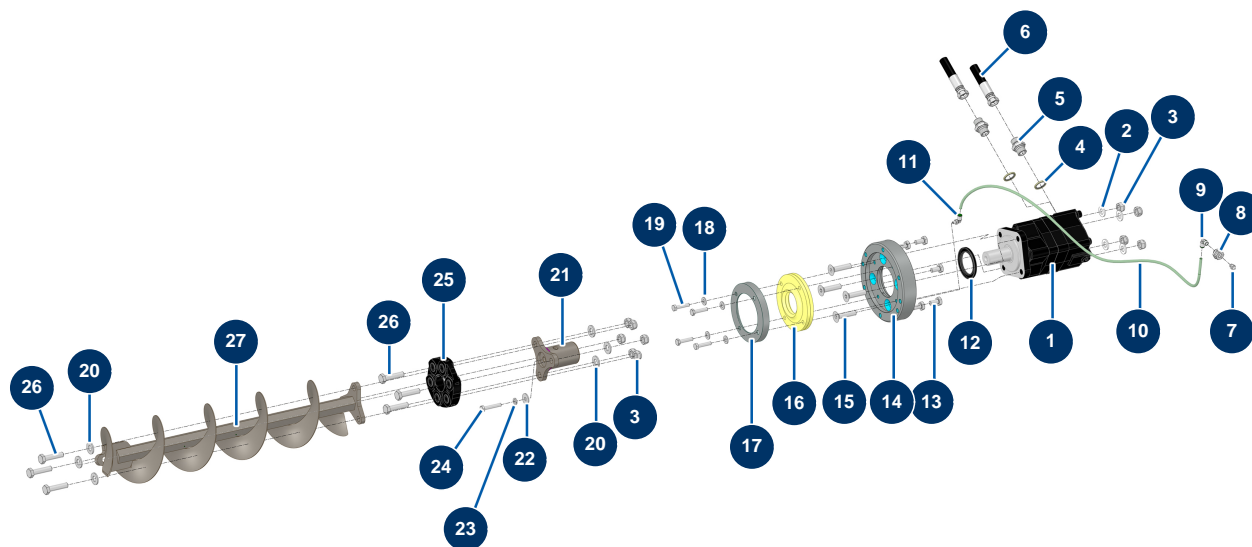


Détails des pièces

Pos.	Référence	Désignation
1	15249	1
2	10051	M 12 nylstop nut
2	10051	M 12 nylstop nut
2	10051	M 12 nylstop nut
3	14102	ø 12 inox medium washer
3	14102	ø 12 inox medium washer
3	14102	ø 12 inox medium washer
3	14102	ø 12 inox medium washer
4	K000211	
5	12928	THEF 12 x 40 screw
6	20211	Complete wheel 155/80R13 PCD 98x4 X-PRO D140
7	14645	
8	14891	Automatic jockey wheel 500 Kg X-RO D60/80 & E70

Pos.	Référence	Désignation
9	60013	M 10 nylstop nut
9	60013	M 10 nylstop nut
10	30280	∅ 10 inox narrow washer
10	30280	∅ 10 inox narrow washer
11	30258	THEF 10 x 30 screw
12	12934	THEF 10 x 35 screw
13	80261	∅ 10 inox medium washer
13	80261	∅ 10 inox medium washer
14	C20368	Jockey wheel raiser - C.P 60
15	12442	12 x 80 THPF screw
16	15503	
17	14326	Headstock safety cable AK160 ∅ 50 nut PA - CP 60
18	13284	7-pin metal male sockets 2.5 m x 2 spiral extender - C.P 60
19	13282	Lighting metal 7-pin female socket - C.P 60
20	13283	Lighting metal 7-pin female socket foam rubber gasket - C.P 60
21	11881	Sander head screw M5 x 40
22	70085	∅ 5 narrow washer
22	70085	∅ 5 narrow washer
23	C21078	23
24	11880	M 5 nylstop nut

X-PRO E70 spraying machine - 400V TETRA V2 - Transmission

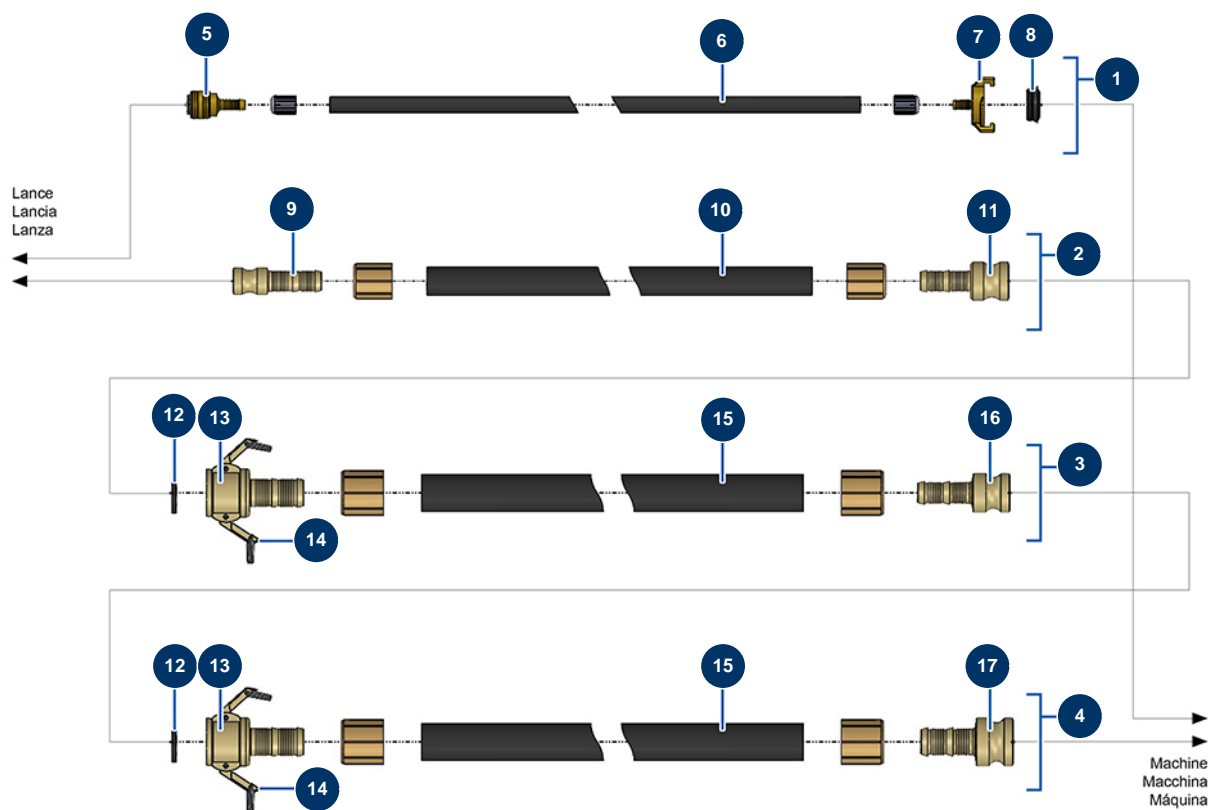


Détails des pièces

Pos.	Référence	Désignation
1	13546	Hydraulic motor BMS 160 hopper - CP 60
2	30281	ø 12 inox narrow washer
3	10051	M 12 nylstop nut
3	10051	M 12 nylstop nut
4	91032	Steel gasket for hollow screw with 1/2" lip
5	90627	1/2" MaleD x 1/2" MaleD high-pressure nipple
6	15387	
7	20044	1/8" M straight lubricator
8	20159	
9	30124	Corrugated Legris coupling M1/8" Ø 6
10	30403	Calibrated polyurethane tube ø 4 x 6 black by the metre
11	15459	
12	12825	Spi seal 50 x 72 x 6 - C.P 60

Pos.	Référence	Désignation
13	12446	THEF 10 x 20 screw
14	M10888	
15	12805	12 x 50 countersunk head screw
16	15300	X-PRO machine tank bottom gasket
17	M10894	
18	80260	∅ 8 inox medium washer
19	11545	THEF 8 x 35 inox screw
20	14102	∅ 12 inox medium washer
20	14102	∅ 12 inox medium washer
21	C20701	Motor/hopper coupling - C.P 60
22	30292	∅ 8 inox large washer
23	80269	Grower washer ∅ 8
24	11798	THEF 8 x 45 screw
25	12484	Transmission shaft elastic coupling - C.P 60
26	12467	THEF 12 x 50 screw
26	12467	THEF 12 x 50 screw
27	C23760	

X-PRO E70 spraying machine - 400V TETRA V2 - Air and product hoses - FACADE

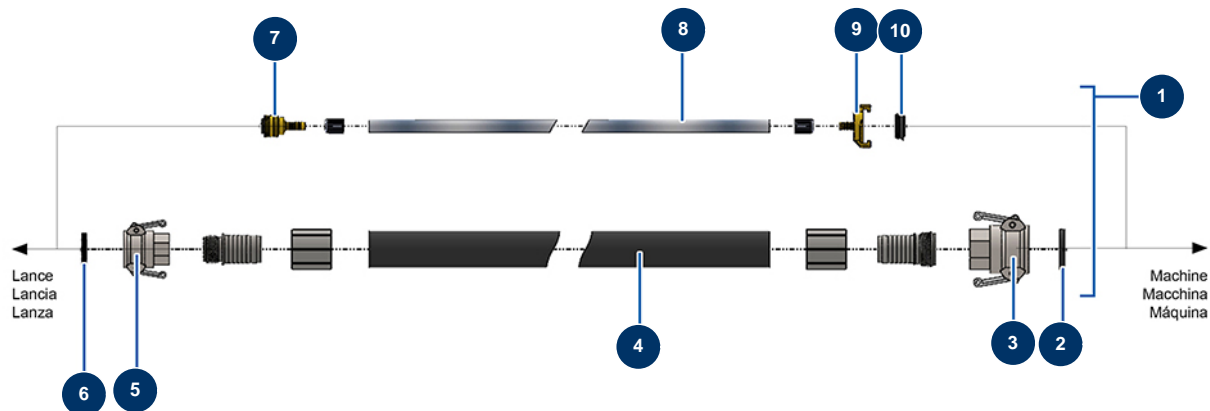


Détails des pièces

Pos.	Référence	Désignation
1	12529	Complete air hose Ø 10 x 33 m lance - CP 60
2	12525	Product hose ø 25 x 5 m with M35 x M25 couplings
3	12524	Product hose ø 35 x 13,3 m with M35 x F35 couplings
4	12523	Product hose ø 35 x 13,3 m with M50 x F35 couplings
5	70004	Female quick fit coupling with corrugated shank of 9
6	50016	ø 10-16 rubber air hose by the metre
7	13566	Corrugated Geka coupling of 10
8	MI3A00100502	Domed rubber gasket for Geka coupling
9	12515	1" steel adapter, corrugated ø 25
10	10268	Spray hose 25 x 37 by the metre
11	12517	1"1/4 steel adapter, corrugated ø 25
12	12839	Steel cam coupler gasket of 35 - C.P 60
12	12839	Steel cam coupler gasket of 35 - C.P 60

Pos.	Référence	Désignation
13	12514	1"1/4 camlock steel coupling, corrugated ø 35 - CP 60
13	12514	1"1/4 camlock steel coupling, corrugated ø 35 - CP 60
14	90691	1"1/4 cam coupler
14	90691	1"1/4 cam coupler
15	11976	Spray hose 35 x 49 by the metre
15	11976	Spray hose 35 x 49 by the metre
16	12516	1"1/4 steel adapter, corrugated ø 35
17	12518	2" steel adapter, corrugated ø 35

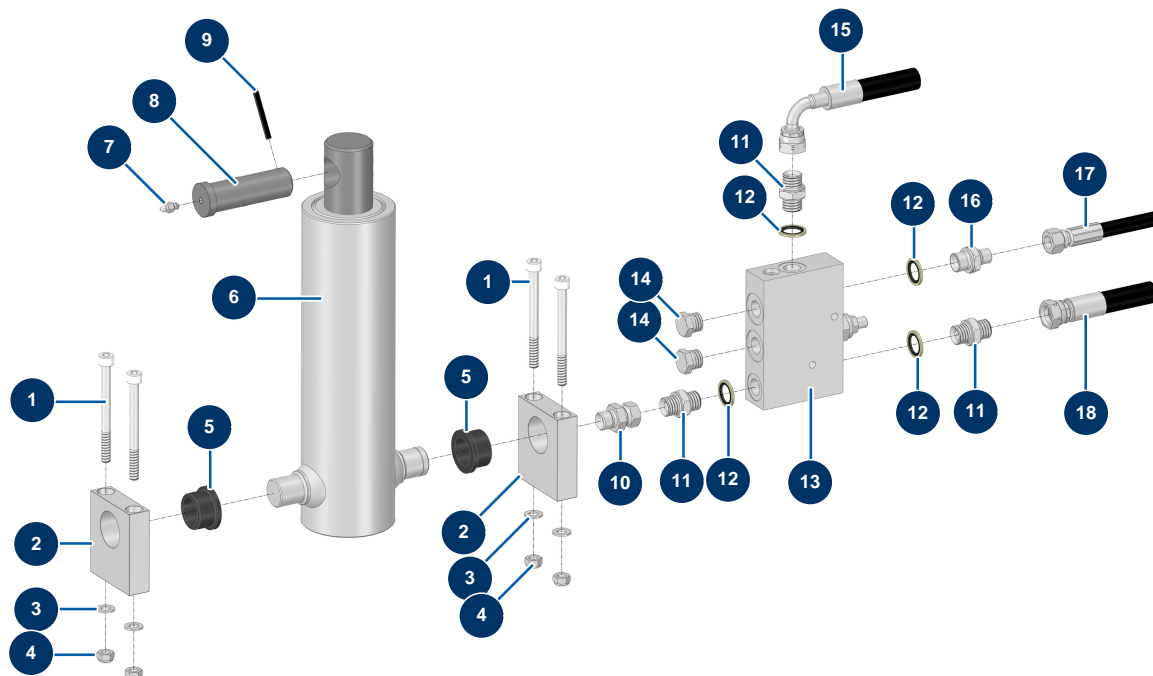
X-PRO E70 spraying machine - 400V TETRA V2 - Air and product hoses - MORTAR



Détails des pièces

Pos.	Référence	Désignation
1	13619	∅ 32 x 20 metres air product hose - CP 60 MORTAR
2	70015	1"1/4 cam coupler gasket
3	70006	1"1/4 camlock alu coupling, inner threaded 1"1/4 for 24P
4	10269	Spray hose 32 x 44 by the metre
5	70007	1" camlock alu coupling, inner threaded 1" for 6, 8, 14 & 24P
6	70014	1" cam coupler gasket
7	70004	Female quick fit coupling with corrugated shank of 9
8	50003	Clear braided PVC hose ∅ 10 x 16 by the metre
9	13566	Corrugated Geka coupling of 10
10	MI3A00100502	Domed rubber gasket for Geka coupling

X-PRO E70 spraying machine - 400V TETRA V2 - Mixer cylinder



Détails des pièces

Pos.	Référence	Désignation
1	14152	8 x 90 cylindrical head screw
1	14152	8 x 90 cylindrical head screw
2	M20015	Hopper cylinder support CP 60 & 80
2	M20015	Hopper cylinder support CP 60 & 80
3	30256	ø 8 inox narrow washer
3	30256	ø 8 inox narrow washer
4	13980	M 8 nylstop inox nut
4	13980	M 8 nylstop inox nut
5	14129	Bearing with flange 25/32 x 20 - CP 60 & 80
5	14129	Bearing with flange 25/32 x 20 - CP 60 & 80
6	12307	Mixer telescopic cylinder - C.P 60
7	60012	M6 straight lubricator
8	M10251	Cylinder axle - CP 60

Pos.	Référence	Désignation
9	12474	Cylinder axis elastic pin - CP 60
10	14287	16/150 MaleD x 3/8" FemaleC - CP 60 high-pressure nipple
11	90698	3/8" MaleD x 3/8" MaleD high-pressure nipple
11	90698	3/8" MaleD x 3/8" MaleD high-pressure nipple
11	90698	3/8" MaleD x 3/8" MaleD high-pressure nipple
12	91031	Steel gasket for hollow screw with 3/8 lip
12	91031	Steel gasket for hollow screw with 3/8 lip
12	91031	Steel gasket for hollow screw with 3/8 lip
12	91031	Steel gasket for hollow screw with 3/8 lip
13	15028	
14	90238	3/8" low-pressure male plug
14	90238	3/8" low-pressure male plug
15	15390	
16	90704	1/4" MaleD x 3/8" MaleD high-pressure nipple
17	15386	
18	15392	