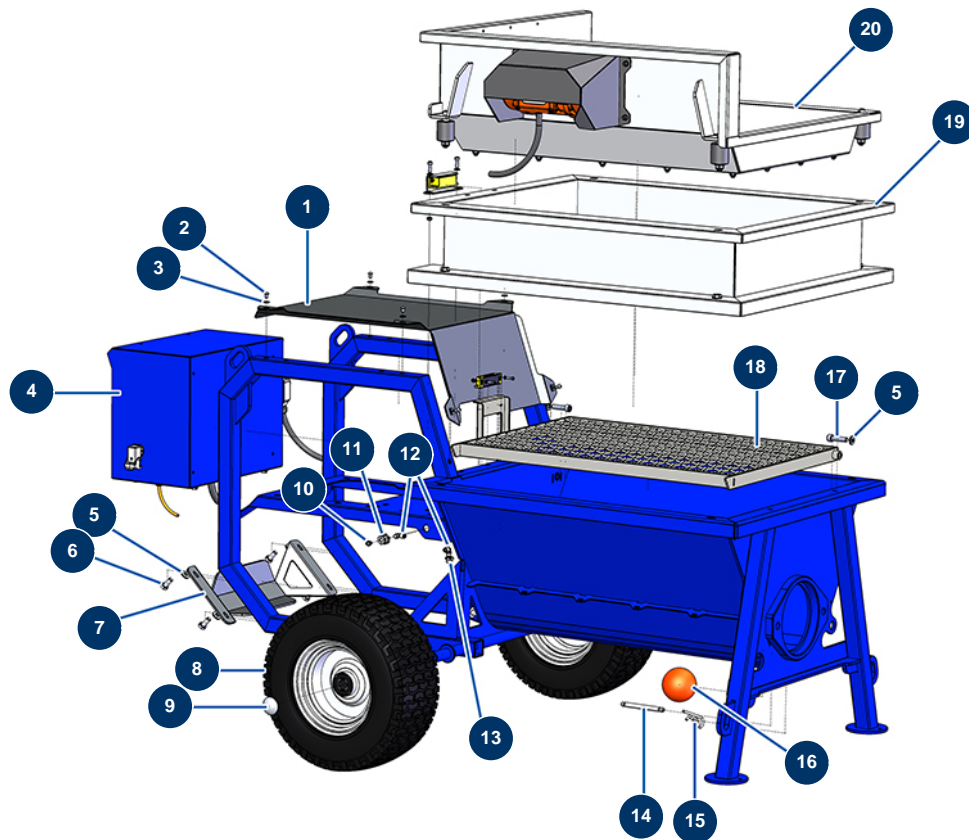


COMPACT-PRO 100 Tri liquid floor screed machine - Chassis

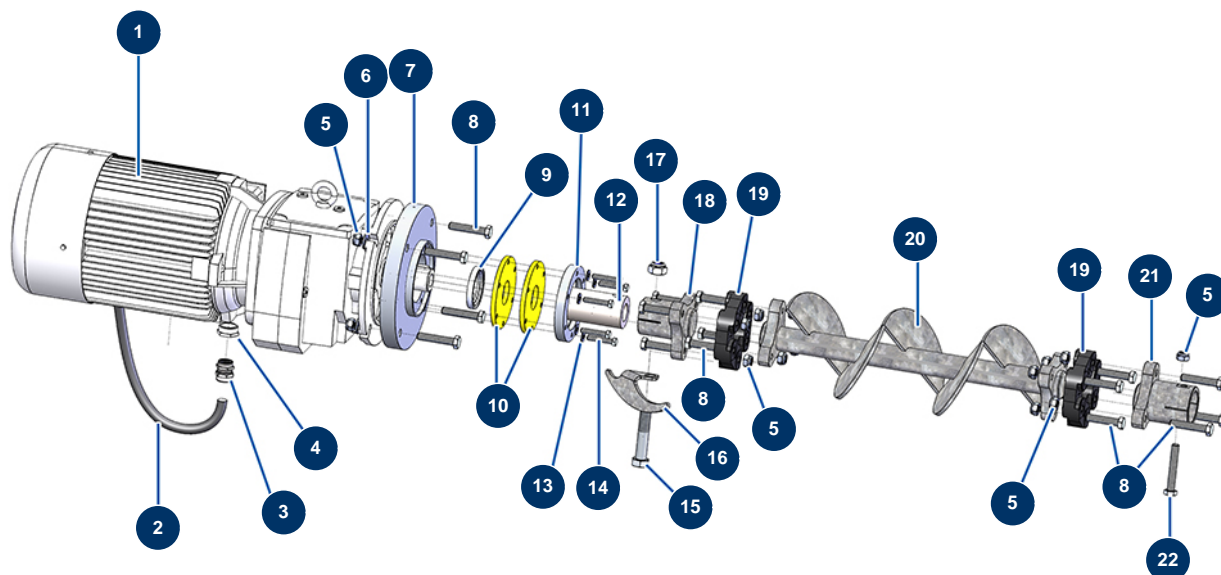


Détails des pièces

Pos.	Référence	Désignation
1	C22869	1
2	12110	6 x 20 inox cylindrical pan head screw
3	80259	Ø 6 medium washer
4	20141	4
5	80260	ø 8 inox medium washer
5	80260	ø 8 inox medium washer
6	11544	THEF 8 x 25 screw
7	C22877	7
8	80372	Complete Ø410 wheel with bearing - axle of 25
9	90282	Ø25 chromed clip
10	20044	1/8" M straight lubricator
11	20159	
12	30124	Corrugated Legris coupling M1/8" Ø 6

Pos.	Référence	Désignation
13	20084	1/4" MaleD x 1/8" FemaleD high-pressure reduction
14	20060	
15	20046	4 mm R pin
16	20048	Cleaning ball ø 100
17	C22882	17
18	C22868	18
19	20142	COMPACT-PRO 55 Tri & 100 Tri machine extension
20	20143	CP 55 & 100 complete vibrating sieve

COMPACT-PRO 100 Tri liquid floor screed machine - Transmission

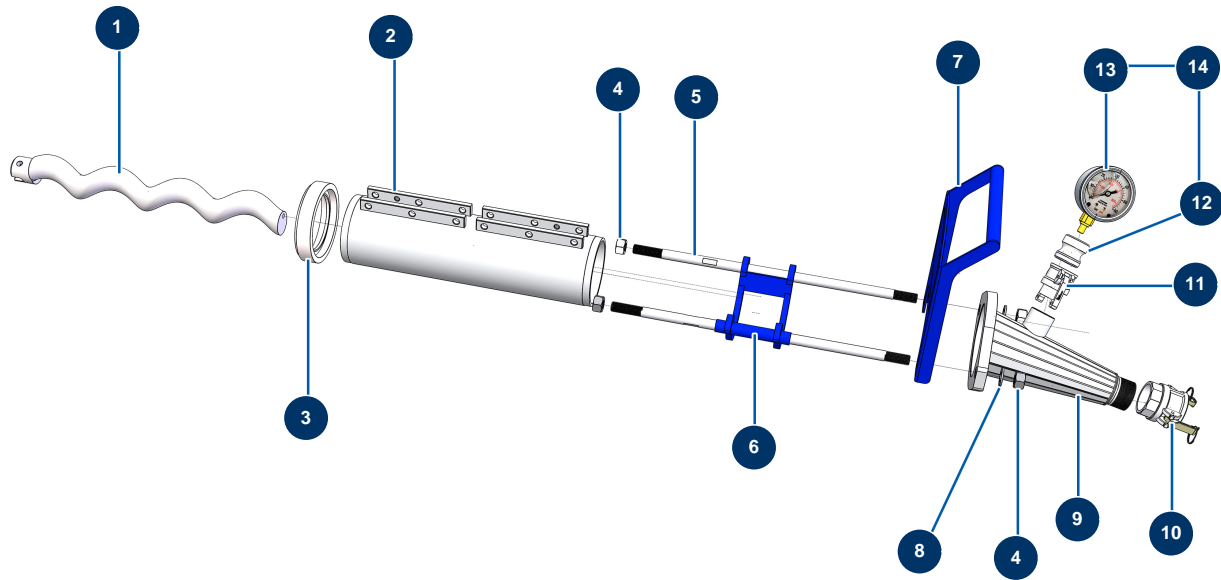


Détails des pièces

Pos.	Référence	Désignation
1	20022	Geared motor 7,5 kW - T132 - R10 - 1400 rpm - 400V
2	20041	H07RNF 4G4 electrical cable by the metre
3	20043	M 25 grey plastic cable gland
4	12814	Cable gland reduction M 32-25
5	10051	M 12 nylstop nut
5	10051	M 12 nylstop nut
5	10051	M 12 nylstop nut
5	10051	M 12 nylstop nut
6	14102	ø 12 inox medium washer
7	20057	ø 250 mm motor flange for X-PRO machine
8	20038	12 x 65 THPF screw
8	20038	12 x 65 THPF screw
8	20038	12 x 65 THPF screw

Pos.	Référence	Désignation
9	20042	Spi seal 55 x 72 x 10
10	20058	X-PRO machine tank bottom gasket
11	20059	X-PRO machine seal flange
12	20056	X-PRO 140, 200 & CP 100 drive shaft
13	80260	ø 8 inox medium washer
14	11798	THEF 8 x 45 screw
15	20040	18 x 100 THPF screw
16	C22881	
17	20039	M 18 nylstop nut
18	20053	X-PRO machine motor coupling
19	14661	Transmission shaft elastic coupling - X-PRO D140
19	14661	Transmission shaft elastic coupling - X-PRO D140
20	20054	X-PRO D140, CP 55 & 100 tank bottom drive shaft
21	20055	X-PRO machine rotor coupling
22	20047	THPF screw 12 x 80 raw steel 12.9

COMPACT-PRO 100 Tri liquid floor screed machine - Pump

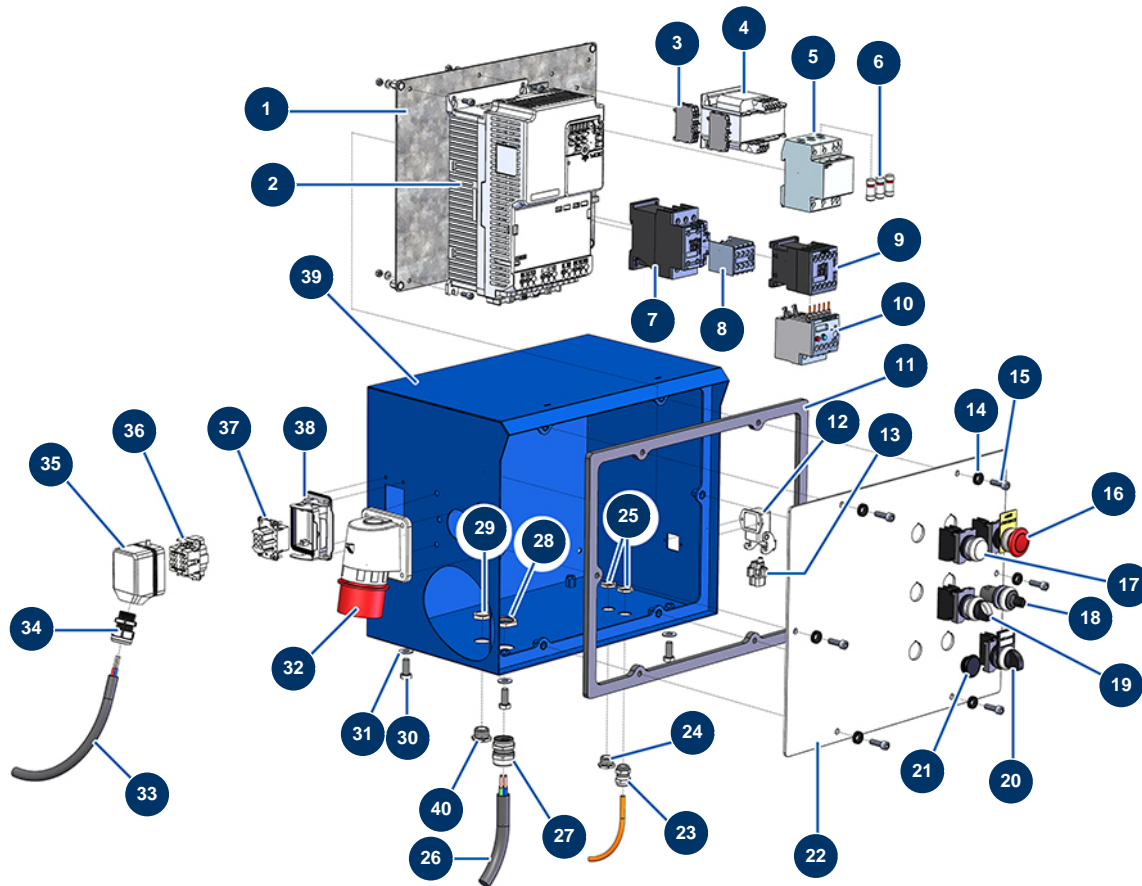


Détails des pièces

Pos.	Référence	Désignation
1	MI7009200000	MIXER 60R12 pump rotor
2	MI3F00508400	MIXER 60R12 SX pump stator with anti-rotation
3	20061	
4	12473	M 20 nut
4	12473	M 20 nut
5	M10281	595 mm fastening tie rod for CP 60
6	C22875	6
7	C22880	7
8	10141	ø 20 inox narrow washer
9	C22884	
10	12364	2" camlock steel coupling, inner threaded 2" - CP 60
11	20070	1"1/4 camlock steel coupling, outer threaded 1"1/4
12	20062	X-PRO machine manometer adapter

Pos.	Référence	Désignation
13	20154	Oil radial manometer 1/2" conical 100 mm - 0 to 60 bar
14	20173	

COMPACT-PRO 100 Tri liquid floor screed machine - Electrical box

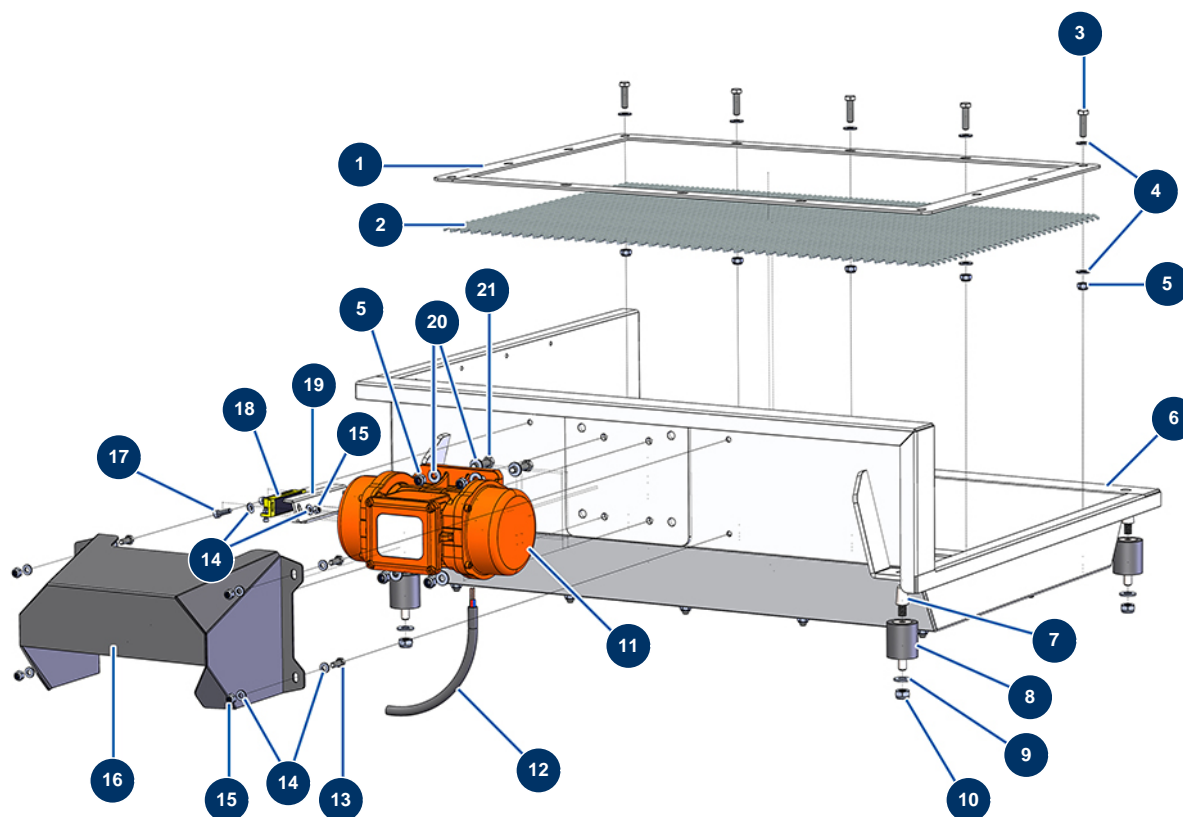


Détails des pièces

Pos.	Référence	Désignation
1	C23064	1
2	20146	
3	MI3C05050800	5x20 fuse holder
4	MI3C00500402	70/80VA 400/42/24/15V transformer
5	12149	32 A Tetra fuse holder
6	14637	Fuse 32 A AM 10.38
7	20155	24 VAC - 4NO 32A coil contactor
8	20076	8
9	11918	Coil contactor 24 Volt AC
10	20077	Thermal protection 0.4-0.6A DILEM10 contactor
11	20025	X-PRO E50 & E100 electrical box gasket
12	12543	Insulating bend socket base 3p + G - 1 lever
13	11914	Female insert 4p + G

Pos.	Référence	Désignation
14	80573	Hollow washer Ø 6
15	90153	6 x 30 cylindrical head screw
16	90038	Complete EMERGENCY STOP button Ø 22
17	30034	Complete ON button
18	80645	Spraying machine complete potentiometer from MARCH 2003
19	90731	3-position button
20	30025	2-position button
21	12022	Box door shutter button
22	C22879	22
23	90600	16 nickel plated waterproof cable gland
24	80042	Hydraulic oil
25	11327	Cable gland locknut of M16
26	20041	H07RNF 4G4 electrical cable by the metre
27	20043	M 25 grey plastic cable gland
28	20050	M 25 cable gland nut
29	20051	M 20 grey plastic cable gland nut
30	11544	THEF 8 x 25 screw
31	30292	ø 8 inox large washer
32	20174	
33	30018	H07RNF 4G1.5 electrical cable by the metre
34	30332	13mm nickel plated sealed cable gland
35	20069	
36	20066	06 P + T male insert
37	20067	06 P + T female insert
38	20065	
39	C22876	39
40	80443	IM 20 electric plug

COMPACT-PRO 100 Tri liquid floor screed machine - Vibrating strainer

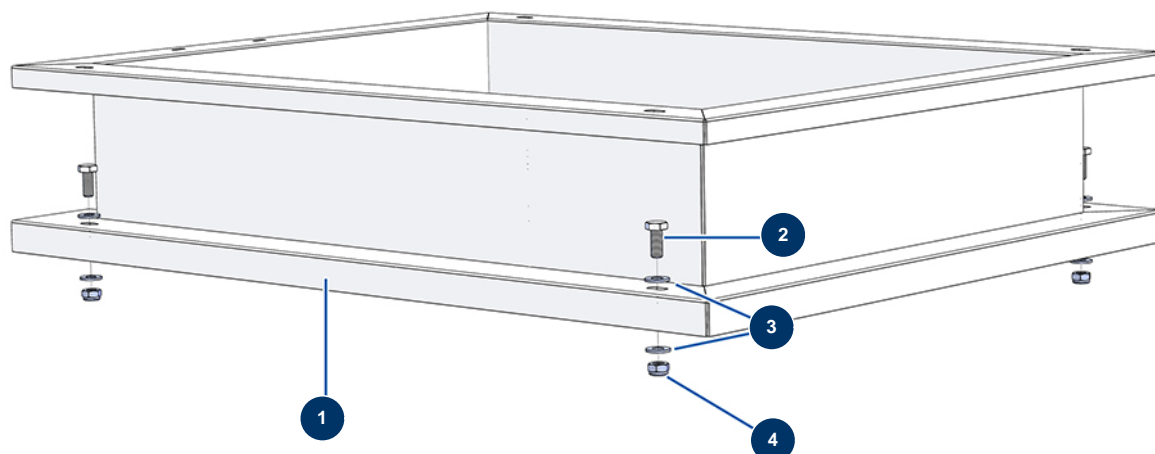


Détails des pièces

Pos.	Référence	Désignation
1	C22873	1
2	C22883	
3	30205	THEF 8 x 30 screw
4	30292	ø 8 inox large washer
5	13980	M 8 nylstop inox nut
5	13980	M 8 nylstop inox nut
6	C22872	6
7	20052	Conical pin 24 x 12/16 mm M10
8	20172	Silentbloc ø 40 x 45 M-F10
9	80261	ø 10 inox medium washer
10	13981	M 10 nylstop inox nut
11	20024	230/400V MVE200 three-phased single vibrator
12	30018	H07RNF 4G1.5 electrical cable by the metre

Pos.	Référence	Désignation
13	12069	THEF 6 x 16 screw
14	80259	Ø 6 medium washer
14	80259	Ø 6 medium washer
15	14217	M 6 nylstop inox nut
15	14217	M 6 nylstop inox nut
16	C22874	16
17	90996	6 x 20 inox cylindrical head screw
18	12120	Grid safety sensor for JETMIX, MIXPRO 14, 70 & 100
19	C23008	19
20	80260	ø 8 inox medium washer
21	11545	THEF 8 x 35 inox screw

COMPACT-PRO 100 Tri liquid floor screed machine - Tank extension



Détails des pièces

Pos.	Référence	Désignation
1	C22871	1
2	30257	THEF 10 x 25 screw
3	80261	ø 10 inox medium washer
4	13981	M 10 nylstop inox nut