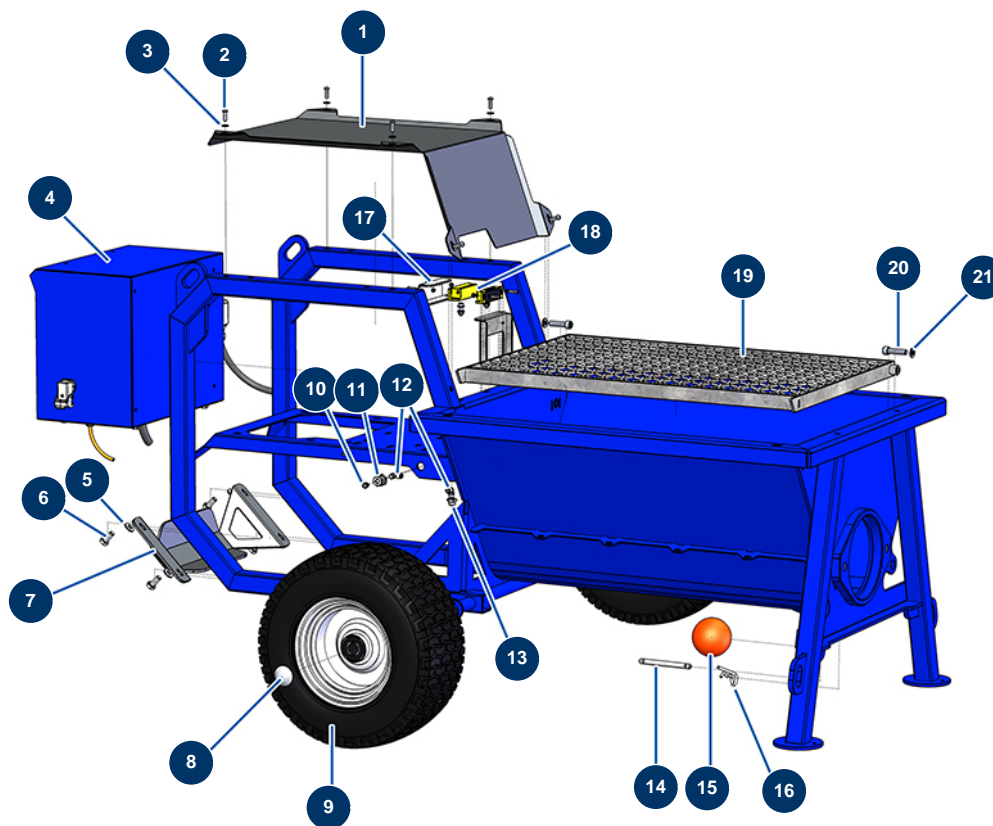


COMPACT-PRO 55 Tri spraying machine - Chassis

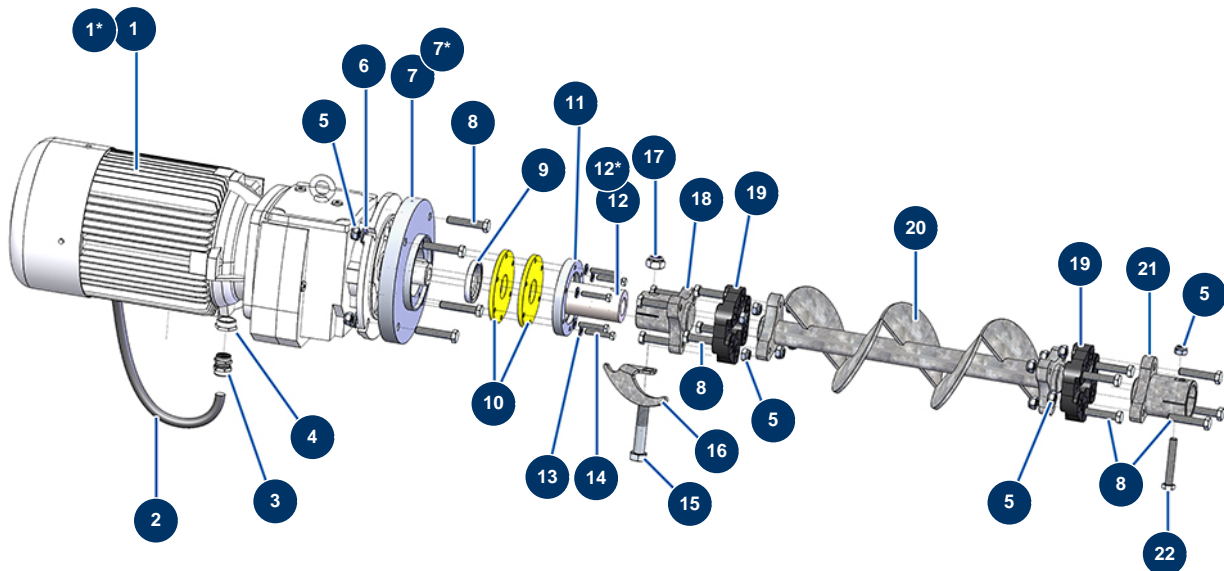


Détails des pièces

Pos.	Référence	Désignation
1	C22869	1
2	12110	6 x 20 inox cylindrical pan head screw
3	80259	Ø 6 medium washer
4	20140	Complete buttons electrical box for COMPACT-PRO E55 - 400V TETRA
5	80260	ø 8 inox medium washer
6	11544	THEF 8 x 25 screw
7	C22877	7
8	90282	Ø25 chromed clip
9	80372	Complete Ø410 wheel with bearing - axle of 25
10	20044	1/8" M straight lubricator
11	20159	
12	30124	Corrugated Legris coupling M1/8" Ø 6
13	20084	1/4" MaleD x 1/8" FemaleD high-pressure reduction

Pos.	Référence	Désignation
14	20060	
15	20048	Cleaning ball ø 100
16	20046	4 mm R pin
17	C22878	17
18	12120	Grid safety sensor for JETMIX, MIXPRO 14, 70 & 100
19	C22882	19
20	12522	10 x 40 cylindrical head screw
21	30280	ø 10 inox narrow washer

COMPACT-PRO 55 Tri spraying machine - Transmission



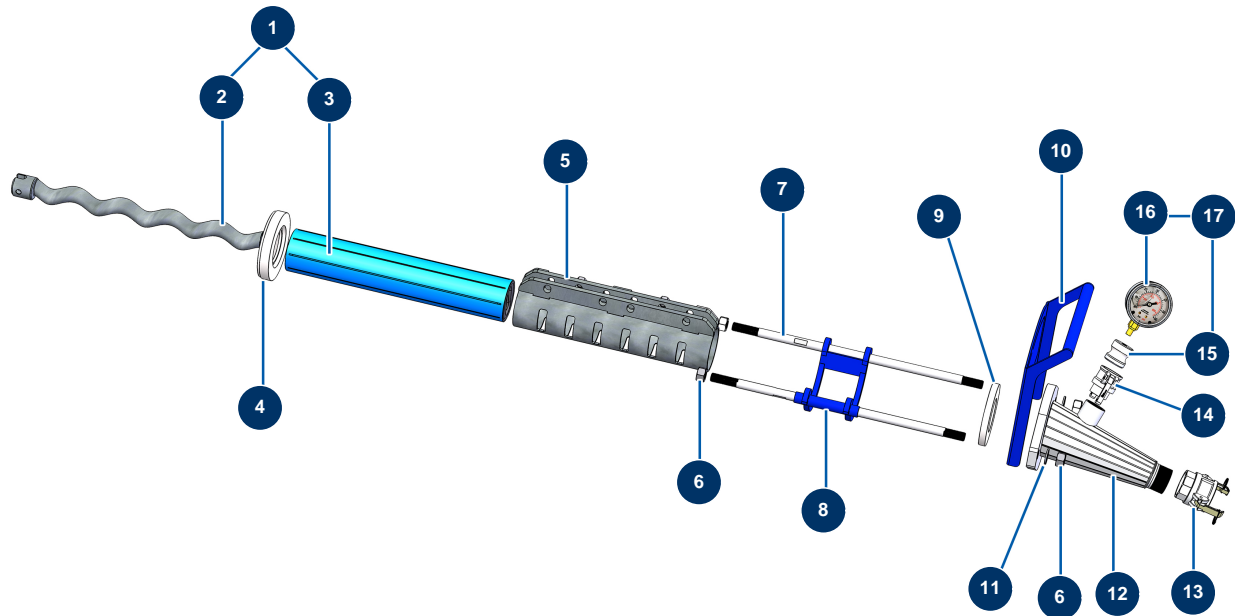
**Pièces pour modèles jusqu'à décembre 2022. / Parts for models until December 2022. *Parti per modelli fino a dicembre 2022.
*Piezas para modelos hasta diciembre de 2022. / *Teile für Modelle bis Dezember 2022.*

Détails des pièces

Pos.	Référence	Désignation
1	14097	Geared motor 5,5 kW - T112 - R7,42 - 1 400 rpm - 400V
1*	20022	Geared motor 7,5 kW - T132 - R10 - 1400 rpm - 400V
2	20041	H07RNF 4G4 electrical cable by the metre
3	20043	M 25 grey plastic cable gland
4	12814	Cable gland reduction M 32-25
5	10051	M 12 nylstop nut
5	10051	M 12 nylstop nut
5	10051	M 12 nylstop nut
5	10051	M 12 nylstop nut
6	14102	ø 12 inox medium washer
7	20717	7
7*	20057	ø 250 mm motor flange for X-PRO machine
8	20038	12 x 65 THPF screw

Pos.	Référence	Désignation
8	20038	12 x 65 THPF screw
8	20038	12 x 65 THPF screw
9	20042	Spi seal 55 x 72 x 10
10	20058	X-PRO machine tank bottom gasket
11	20059	X-PRO machine seal flange
12	20716	12
12*	20056	X-PRO 140, 200 & CP 100 drive shaft
13	80260	ø 8 inox medium washer
14	11798	THEF 8 x 45 screw
15	20040	18 x 100 THPF screw
16	C22881	
17	20039	M 18 nylstop nut
18	20053	X-PRO machine motor coupling
19	14661	Transmission shaft elastic coupling - X-PRO D140
19	14661	Transmission shaft elastic coupling - X-PRO D140
20	20054	X-PRO D140, CP 55 & 100 tank bottom drive shaft
21	20811	X-PRO machine ø 60 rotor coupling
22	20846	22

COMPACT-PRO 55 Tri spraying machine - Pump

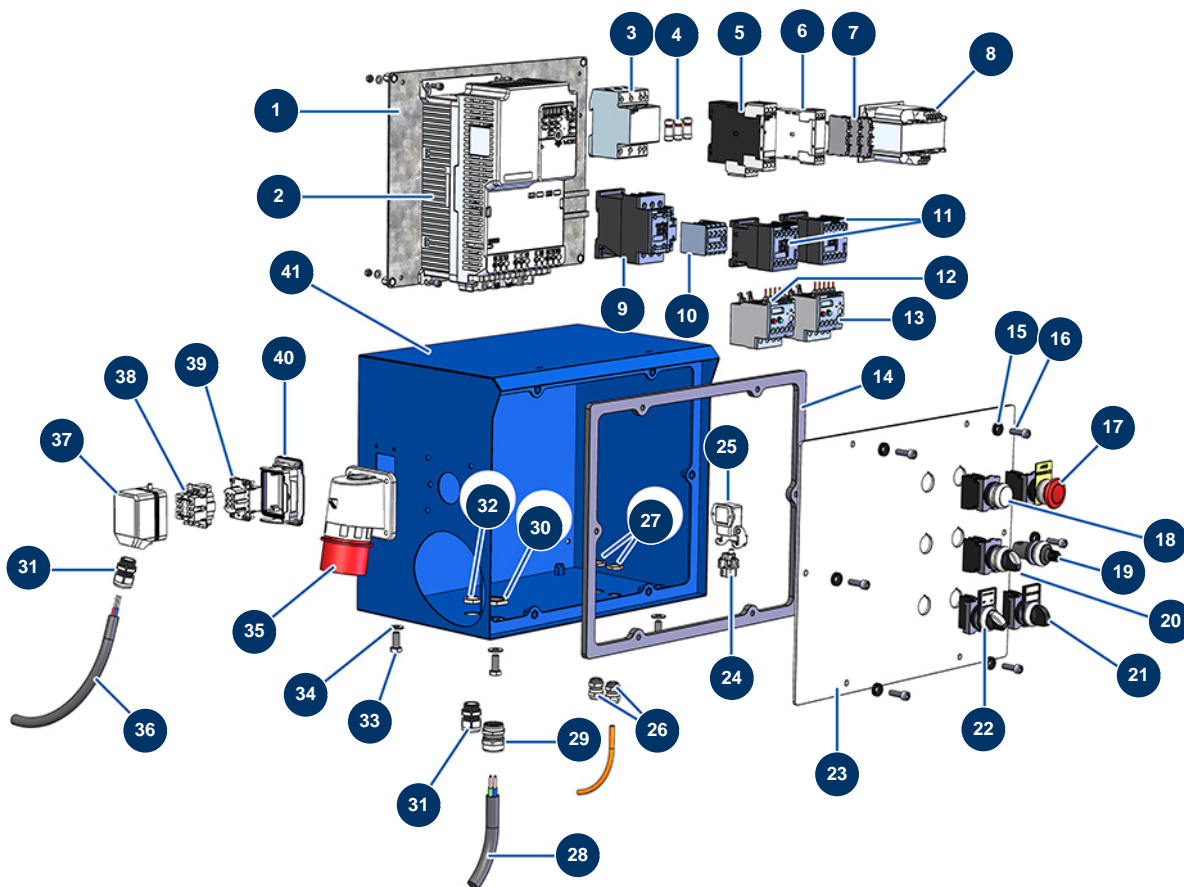


Détails des pièces

Pos.	Référence	Désignation
1	30905	EUROPRO MAP 11 JUMBO pump rotor/stator kit
2	MI7009008800	EUROPRO JUMBO pump rotor
3	MI3F00503800	EUROPRO JUMBO SX 8 slits pump stator
4	20156	
5	C20766	MAP10 clamping jacket - CP60 V17
6	12473	M 20 nut
6	12473	M 20 nut
7	M10281	595 mm fastening tie rod for CP 60
8	C22375	8
9	20157	
10	C22880	10
11	10141	∅ 20 inox narrow washer
12	C22884	

Pos.	Référence	Désignation
13	12364	2" camlock steel coupling, inner threaded 2" - CP 60
14	20070	1"1/4 camlock steel coupling, outer threaded 1"1/4
15	20062	X-PRO machine manometer adapter
16	20154	Oil radial manometer 1/2" conical 100 mm - 0 to 60 bar
17	20173	

COMPACT-PRO 55 Tri spraying machine - Electrical box

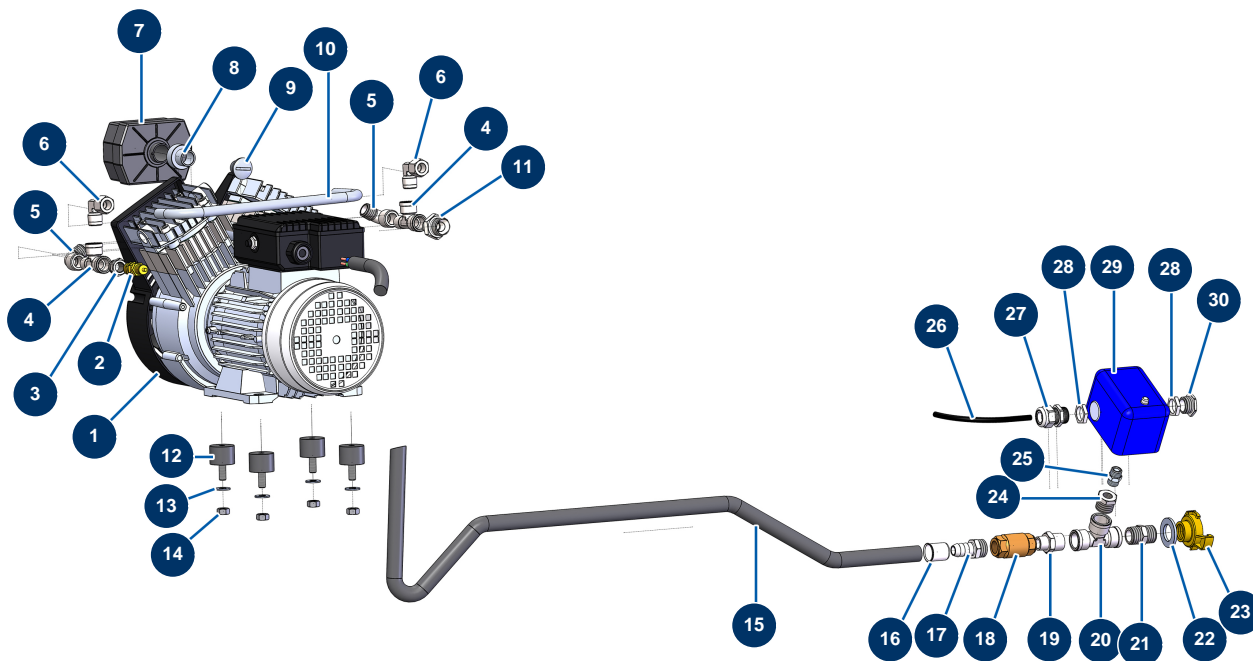


Détails des pièces

Pos.	Référence	Désignation
1	C23064	1
2	20023	400 V inverter - 5.5 KW GA
3	12149	32 A Tetra fuse holder
4	14637	Fuse 32 A AM 10.38
5	MI3C00601010	
6	20196	Auxiliary contact 2 NO 20A
7	MI3C05050800	5x20 fuse holder
8	MI3C00500402	70/80VA 400/42/24/15V transformer
9	20155	24 VAC - 4NO 32A coil contactor
10	20076	10
11	11918	Coil contactor 24 Volt AC
12	20077	Thermal protection 0.4-0.6A DILEM10 contactor
13	20078	Thermal protection 6-9A DILEM10 contactor

Pos.	Référence	Désignation
14	20025	X-PRO E50 & E100 electrical box gasket
15	80573	Hollow washer Ø 6
16	90153	6 x 30 cylindrical head screw
17	90038	Complete EMERGENCY STOP button Ø 22
18	30034	Complete ON button
19	80645	Spraying machine complete potentiometer from MARCH 2003
20	90731	3-position button
21	30025	2-position button
22	30025	2-position button
23	C22879	23
24	11914	Female insert 4p + G
25	12543	Insulating bend socket base 3p + G - 1 lever
26	90600	16 nickel plated waterproof cable gland
27	11327	Cable gland locknut of M16
28	20041	H07RNF 4G4 electrical cable by the metre
29	20043	M 25 grey plastic cable gland
30	20050	M 25 cable gland nut
31	11622	Black plastic packing M 20
31	11622	Black plastic packing M 20
32	20051	M 20 grey plastic cable gland nut
33	11544	THEF 8 x 25 screw
34	30292	ø 8 inox large washer
35	20174	
36	30018	H07RNF 4G1.5 electrical cable by the metre
37	20069	
38	20066	06 P + T male insert
39	20067	06 P + T female insert
40	20065	
41	C22876	41

COMPACT-PRO 55 Tri spraying machine - Compressor kit

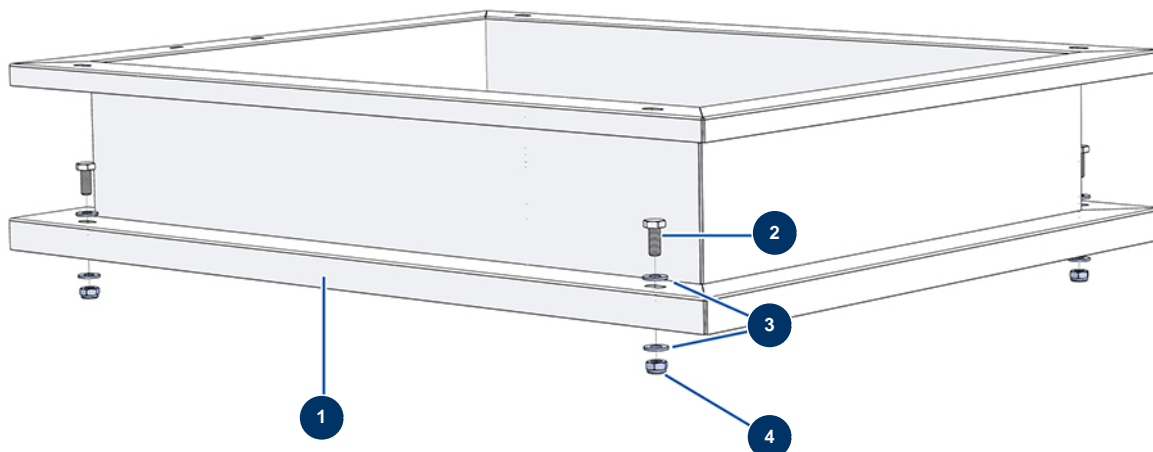


Détails des pièces

Pos.	Référence	Désignation
1	14143	Oilless twin-cylinder compression head - 400V/50Hz three-phased
2	MI3G01300304	Safety Valve 1/4 3 bar
3	90242	3/8" MaleC x 1/4" FemaleD low-pressure reduction
4	12530	M3/8" x F3/8" x F3/8" low pressure T
4	12530	M3/8" x F3/8" x F3/8" low pressure T
5	30120	Elbow BP 90° 3/8 MaleC x 3/8 FemaleD
5	30120	Elbow BP 90° 3/8 MaleC x 3/8 FemaleD
6	13696	
6	13696	
7	80052	EUROPRO 36 complete air filter
8	M10529	
9	M10528	3/8"G threaded plug
10	C23010	10

Pos.	Référence	Désignation
11	90872	1/2" MaleD x 3/8" MaleD high-pressure nipple
12	30151	Silentbloc ø 30 x 22 M-F8
13	80260	ø 8 inox medium washer
14	13980	M 8 nylstop inox nut
15	10229	ø 12 galvanised braided hose
16	10210	19 MAS sleeve
17	10225	Nipple 3/8" MC grooved Ø 12
18	MI3G01300401	3/8" non-return valve
19	80339	3/8" MaleC x 1/2" MaleC low-pressure nipple
20	12105	F1/2" x F1/2" x F1/2" low pressure T
21	30369	1/2" MaleC x 1/2" MaleC low-pressure nipple
22	10141	ø 20 inox narrow washer
23	13577	1/2" inner threaded Geka coupling
24	30119	1/2" MaleC x 1/4" FemaleD low-pressure reduction
25	90844	1/4" MaleD x 1/4" MaleD low-pressure nipple
26	11972	H05VV5F 3G0.75 grey electrical cable by the metre
27	11622	Black plastic packing M 20
28	20051	M 20 grey plastic cable gland nut
28	20051	M 20 grey plastic cable gland nut
29	20197	Air pressure switch NC male 1/4
30	80443	IM 20 electric plug

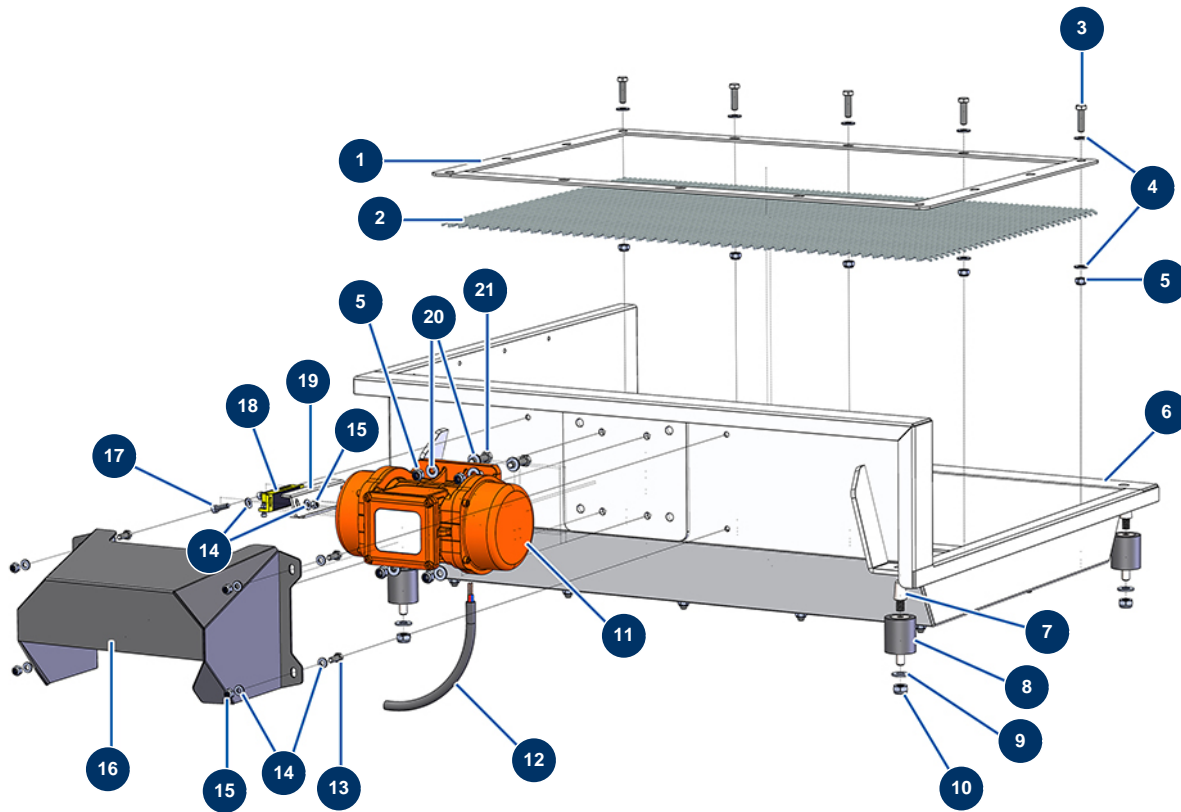
COMPACT-PRO 55 Tri spraying machine - Tank extension option



Détails des pièces

Pos.	Référence	Désignation
1	C22871	1
2	30257	THEF 10 x 25 screw
3	80261	ø 10 inox medium washer
4	13981	M 10 nylstop inox nut

COMPACT-PRO 55 Tri spraying machine - Vibrating strainer option



Détails des pièces

Pos.	Référence	Désignation
1	C22873	1
2	C22883	
3	30205	THEF 8 x 30 screw
4	30292	ø 8 inox large washer
5	13980	M 8 nylstop inox nut
5	13980	M 8 nylstop inox nut
6	C22872	6
7	20052	Conical pin 24 x 12/16 mm M10
8	20172	Silentbloc ø 40 x 45 M-F10
9	80261	ø 10 inox medium washer
10	13981	M 10 nylstop inox nut
11	20024	230/400V MVE200 three-phased single vibrator
12	30018	H07RNF 4G1.5 electrical cable by the metre

Pos.	Référence	Désignation
13	12069	THEF 6 x 16 screw
14	80259	Ø 6 medium washer
14	80259	Ø 6 medium washer
15	14217	M 6 nylstop inox nut
15	14217	M 6 nylstop inox nut
16	C22874	16
17	90996	6 x 20 inox cylindrical head screw
18	12120	Grid safety sensor for JETMIX, MIXPRO 14, 70 & 100
19	C23008	19
20	80260	ø 8 inox medium washer
21	11545	THEF 8 x 35 inox screw