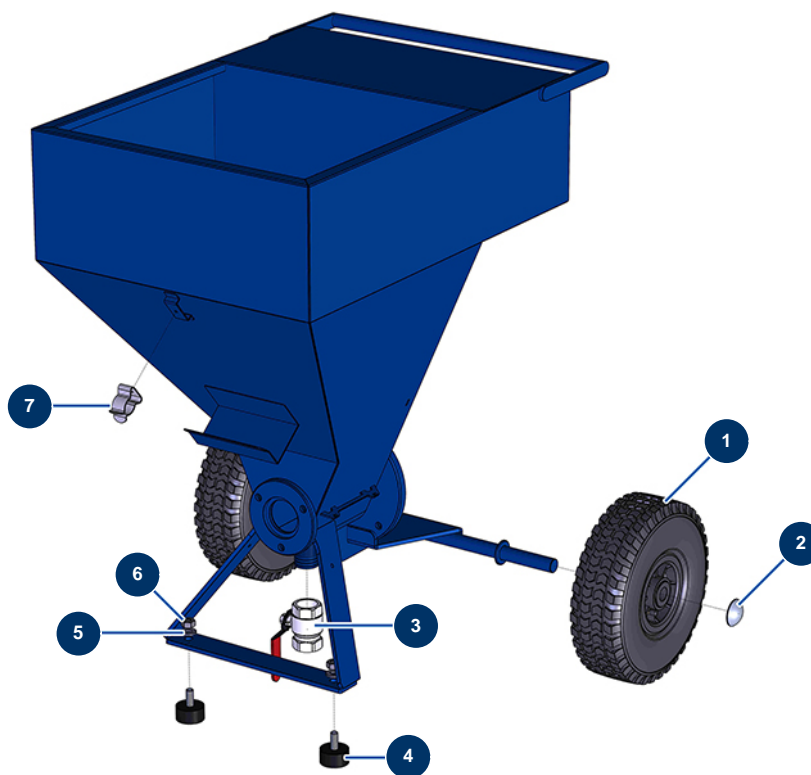


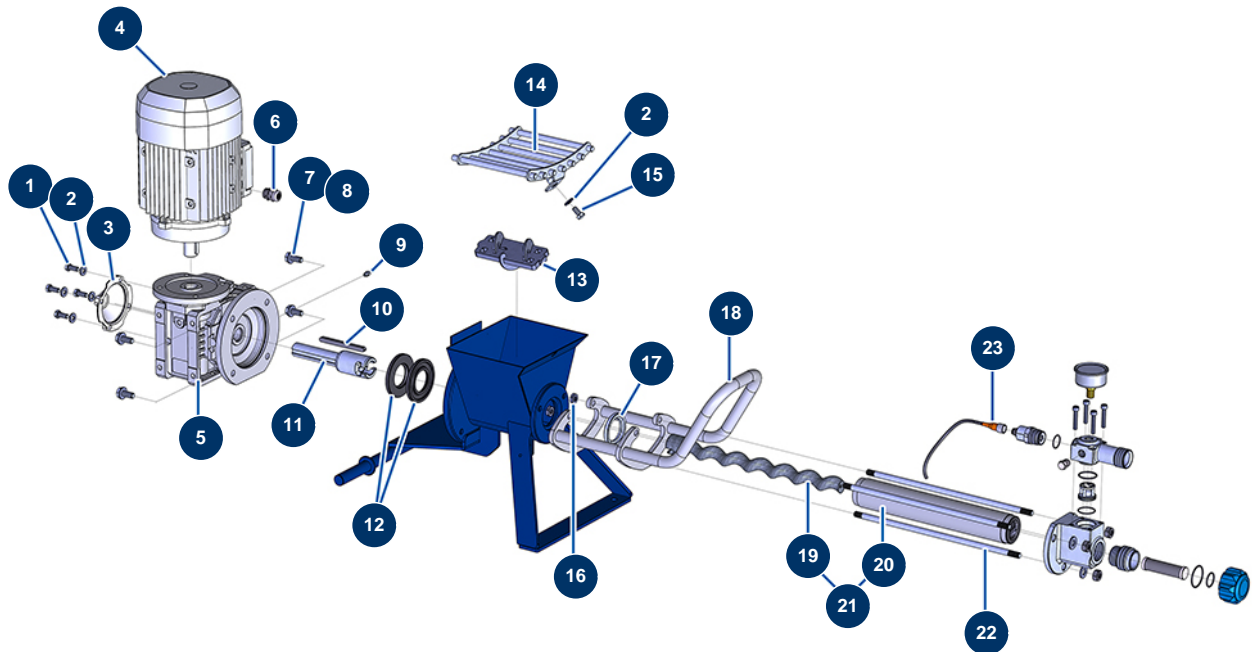
## MINIJET 120 complete atomizer - COATSPRAY spray-gun - Chassis



### Détails des pièces

Pos.	Référence	Désignation
1	80001	Complete wheel 260 shaft of 20 for 6,8,14P, MPE 80 and 200, 7000z, 9000z
2	90281	Ø20 chromed clip
3	70031	Drain valve for EUROPRO 4-6-8-14 P, MPE, AG, 7000z, 9000z
4	30145	Ø 40 x 20 M10 stop
5	80261	ø 10 inox medium washer
6	13978	M10 inox nut
7	80582	Case support spring

## MINIJET 120 complete atomizer - COATSPRAY spray-gun - Transmission

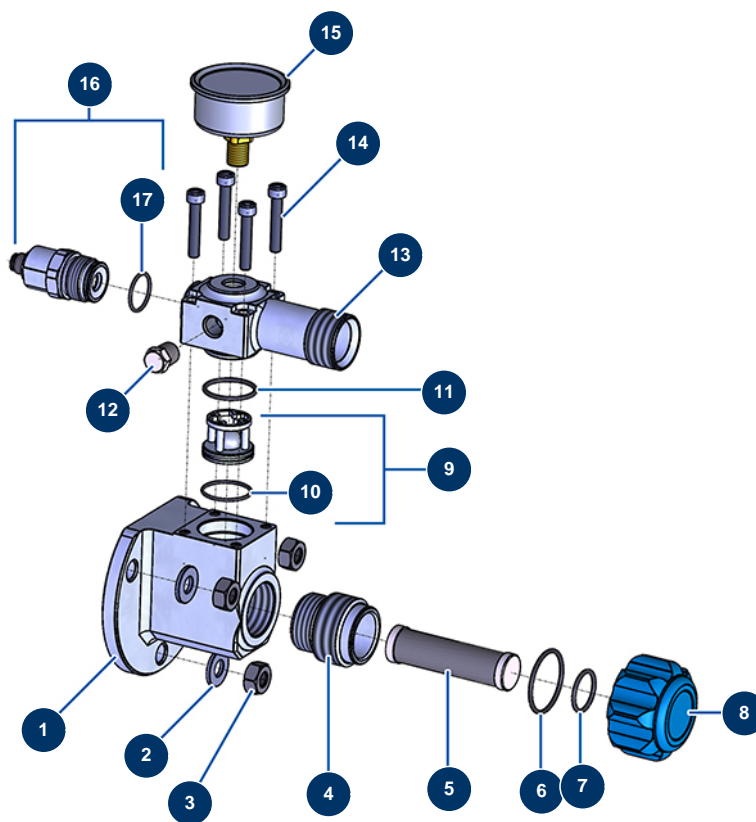


### Détails des pièces

Pos.	Référence	Désignation
1	30273	THEF 8 x 20 screw
2	80260	ø 8 inox medium washer
2	80260	ø 8 inox medium washer
3	90287	14 P2 & 24 P gear reducer plastic cover
4	90189	Electric motor 2,2 kW - T90 - B14 - 1400 rpm - 400V
5	13458	Speed reducer 90° - T63 - R10 - B14/T90
6	30040	Nickel plated watertight cable gland of 11 CEM
7	30257	THEF 10 x 25 screw
8	80261	ø 10 inox medium washer
9	60012	M6 straight lubricator
10	90750	8 x 7 x 100 parallel key with round end for 24P et PT
11	M10646	Bayonet drive shaft for DROPPRO 14P
12	90726	Spi seal 40 x 80 x 7 for 14P

Pos.	Référence	Désignation
13	C23391	MINIJET 120 connecting rod from 2024
14	C22509	Removable grid for DROPPRO 14P & MINJET 120
15	30295	THEF 8 x 16 screw
16	13979	M10 flat inox nut
17	80492	14 P stator reduction ring
18	C22982	DROPPRO & MINIJET pump handle
19	MI7009107700	EUROPRO JET 2 chromed pump rotor with bayonet head
20	MI3f00529100	EUROPRO JET 2-80SH pump stator
21	30791	EUROPRO JET 2 pump rotor/stator kit
22	M10226	Fastening tie rod for JETPRO 80
23	12409	M12 straight female connector with 2m cable

## MINIJET 120 complete atomizer - COATSPRAY spray-gun - Flange

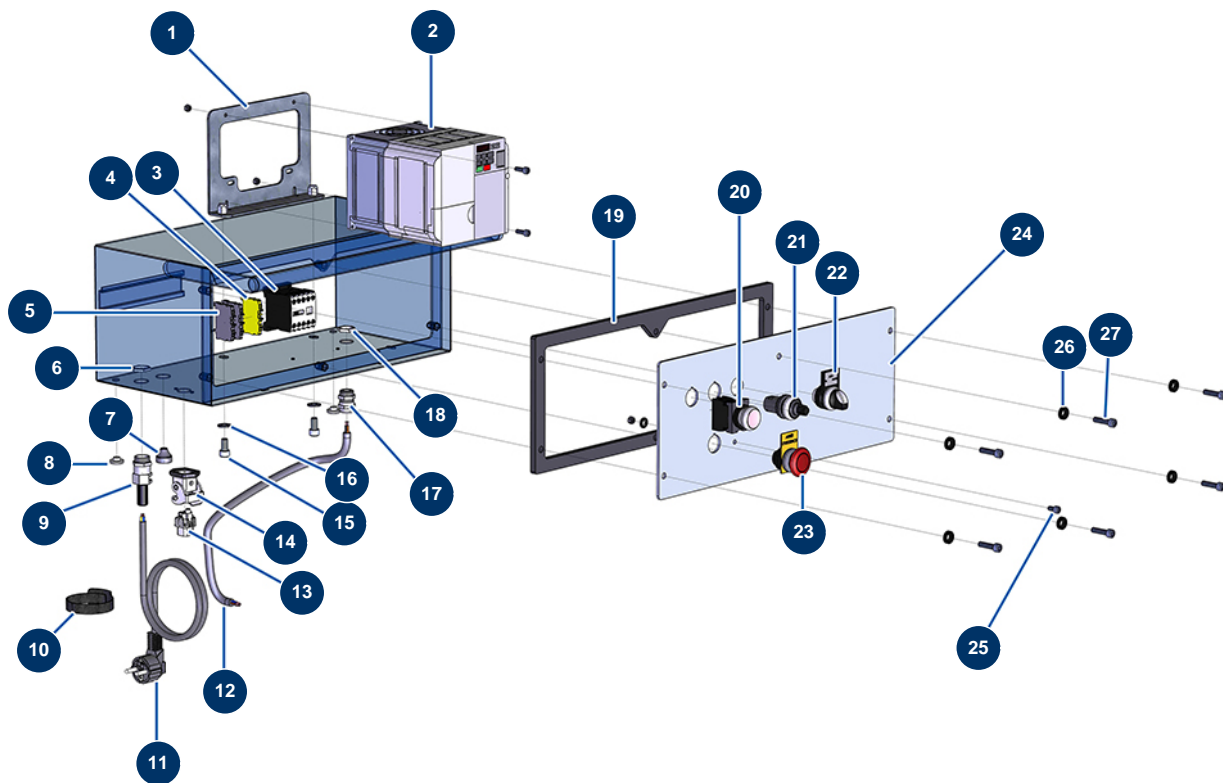


### Détails des pièces

Pos.	Référence	Désignation
1	M10727	Stator flange for MINIJET/JETPRO without stainless steel insert
2	80261	ø 10 inox medium washer
3	13978	M10 inox nut
4	M10782	MINIJET/JEPTRO stator flange insert
5	30667	15 meshes filter for JETPRO spray-gun
6	14863	35 x 3 O-ring
7	14765	22 x 2 O-ring
8	M10781	BLUE filter plug for stainless steel insert
9	14789	Complete ball cage for MINIJET/JETPRO new generation
10	14607	27 x 1,5 O-ring
11	14764	28 x 2 O-ring
12	90842	1/4" high-pressure MaleC plug
13	M10810	Outer threaded high connector 1" for MINIJET/JETPRO flange

Pos.	Référence	Désignation
14	12567	6 x 35 cylindrical head screw
15	12623	50 mm axial manometer 1/4" conical - 0 to 160 bar
16	14976	250 Bar 4-20mA pressure sensor
17	14863	35 x 3 O-ring

## MINIJET 120 complete atomizer - COATSPRAY spray-gun - Electrical box

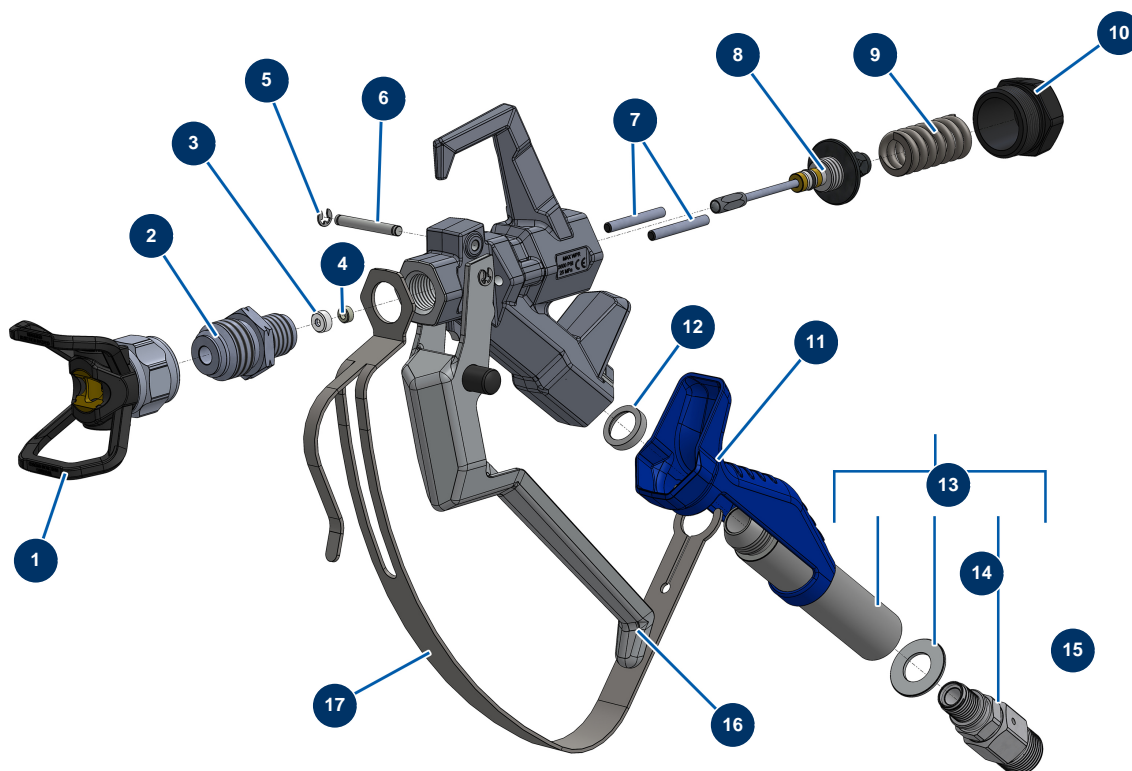


### Détails des pièces

Pos.	Référence	Désignation
1	80472	14 P control support
2	13089	Inverter 230 V - 2.2 KW GA
3	30011	230 Volt coil switch for sprayer
4	30038	Yellow and green conductive block 6 mm <sup>2</sup>
5	80467	Grey conductor block 4 mm <sup>2</sup>
6	30060	11mm cable gland nut
7	11564	M 16 grey rubber cable gland
8	80397	Water exhaust cork for electrical box
9	80450	cable gland for 11mm supply cable
10	12411	Self-gripping collar 20 x 330 mm
11	90180	Supply cable with moulded plug 3G 1,5 mm <sup>2</sup>
12	90606	Shielded cable 4 x 1,5 by the metre
13	11914	Female insert 4p + G

Pos.	Référence	Désignation
14	11915	Blowing machine insulating support 3 p + T - 1 lever
15	80668	10 x 20 cylindrical head screw
16	80260	∅ 8 inox medium washer
17	30040	Nickel plated watertight cable gland of 11 CEM
18	30333	Cable gland locknut of 11 CEM
19	90734	EUROPRO 14 P box gasket
20	30034	Complete ON button
21	80645	Spraying machine complete potentiometer from MARCH 2003
22	14180	MINIJET complete MANU-AUTO-REVERSE button
23	90038	Complete EMERGENCY STOP button ∅ 22
24	30272	14 P electrical box holder
25	90798	M6 x 10 cylindrical head screw - CP 60 cylindrical head screw
26	80573	Hollow washer ∅ 6
27	90996	6 x 20 inox cylindrical head screw

## MINIJET 120 complete atomizer - COATSPRAY spray-gun - Spray-gun



*\*Raccord renforcé optionnel / Optional reinforced connector*

### Détails des pièces

Pos.	Référence	Désignation
1	51001	BST, BBP & BFF 7/8" tip guard
2	51054	COATSPRAY spray-gun 7/8" diffuser
3	51047	PAINTSPRAY, COATSPRAY spray-gun needle seat gasket
4	51046	PAINTSPRAY, COATSPRAY spray-gun needle seat
5	51043	PAINTSPRAY, COATSPRAY spray-gun trigger axis circlip
6	51057	COATSPRAY spray-gun trigger axis
7	51055	COATSPRAY spray-gun retraction pin
8	51053	COATSPRAY spray-gun needle repair kit
9	51034	PAINTSPRAY, COATSPRAY spray-gun needle return spring
10	51038	PAINTSPRAY, COATSPRAY spray-gun needle lock plug
11	51037	PAINTSPRAY spray-gun plastic handle
12	51051	COATSPRAY spray-gun filter holder bearing gasket
13	51035	PAINTSPRAY spray-gun filter holder

Pos.	Référence	Désignation
14	51045	PAINTSPRAY, COATSPRAY spray-gun revolving coupling gasket
15	51058	1/2" MBSP revolving coupling for COATSPRAY spray-gun
16	51056	COATSPRAY spray-gun complete trigger
17	51052	COATSPRAY spray-gun trigger protection

## MINIJET 120 complete atomizer - COATSPRAY spray-gun - Extensions and hoses



### Détails des pièces

Pos.	Référence	Désignation
1	14802	ø 16 x 15 m product hose, quick couplings F1" x F1/2" MINIJET/JETPRO
2	14799	1" F quick coupling ø 16 corrugated for MINIJET/JETPRO
3	13651	2SC 5/8" black hose ø 16 standard marking
4	14798	1/2 "F quick coupling ø 16 corrugated for MINIJET/JETPRO
5	14814	ø 19 x 10 m product hose, quick couplings F 1" x M 1" MINIJET/JETPRO
6	M10734	1" M corrugated ø 19 quick coupling for MINIJET/JETPRO
7	12426	3/4" black 2SC hose ø 19 standard marking
8	14800	1" F corrugated ø 19 quick coupling for MINIJET/JETPRO