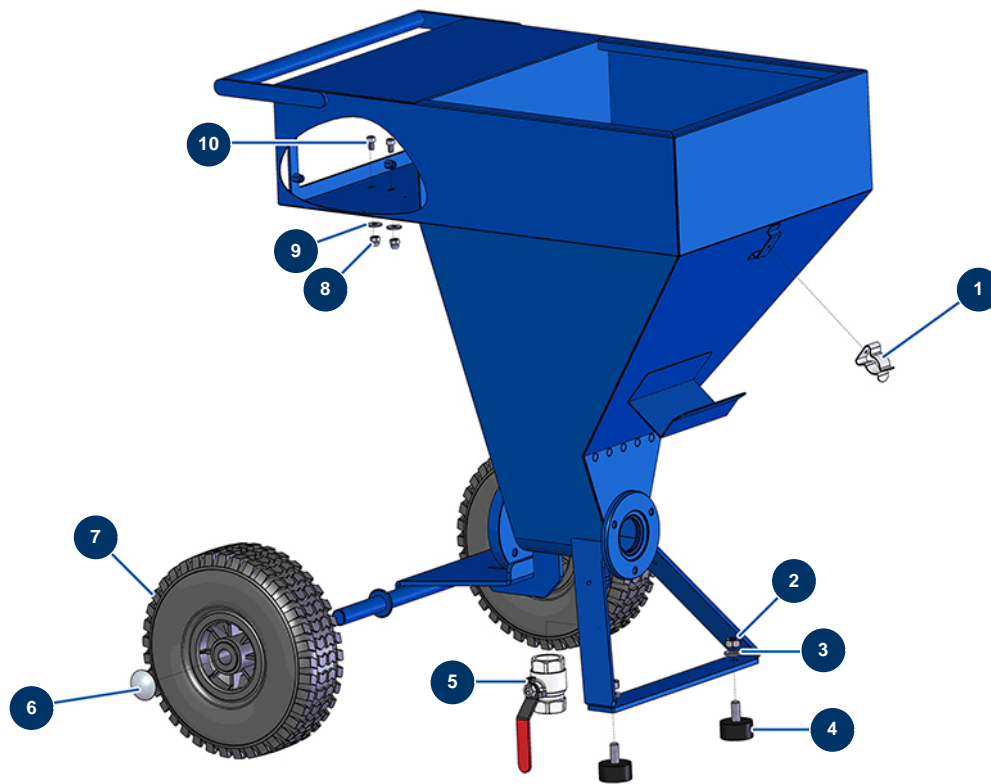


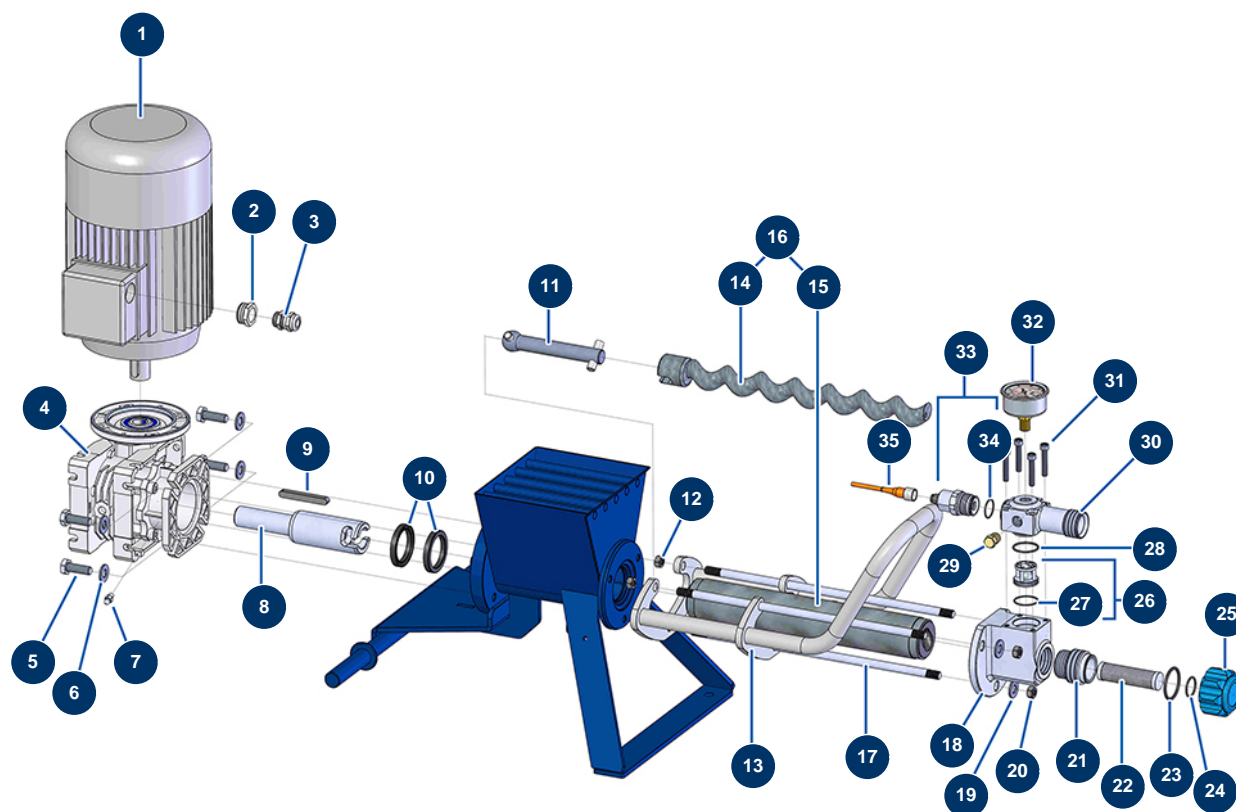
MINIJET 80 complete atomizer - COATSPRAY spray-gun - Chassis



Détails des pièces

Pos.	Référence	Désignation
1	80582	Case support spring
2	13978	M10 inox nut
3	80261	ø 10 inox medium washer
4	30145	Ø 40 x 20 M10 stop
5	70031	Drain valve for EUROPRO 4-6-8-14 P, MPE, AG, 7000z, 9000z
6	90281	Ø20 chromed clip
7	80001	Complete wheel 260 shaft of 20 for 6,8,14P, MPE 80 and 200, 7000z, 9000z
8	30330	M 6 Inox cap nut
9	30291	ø 6 large washer
10	90798	M6 x 10 cylindrical head screw - CP 60 cylindrical head screw

MINIJET 80 complete atomizer - COATSPRAY spray-gun - Transmission

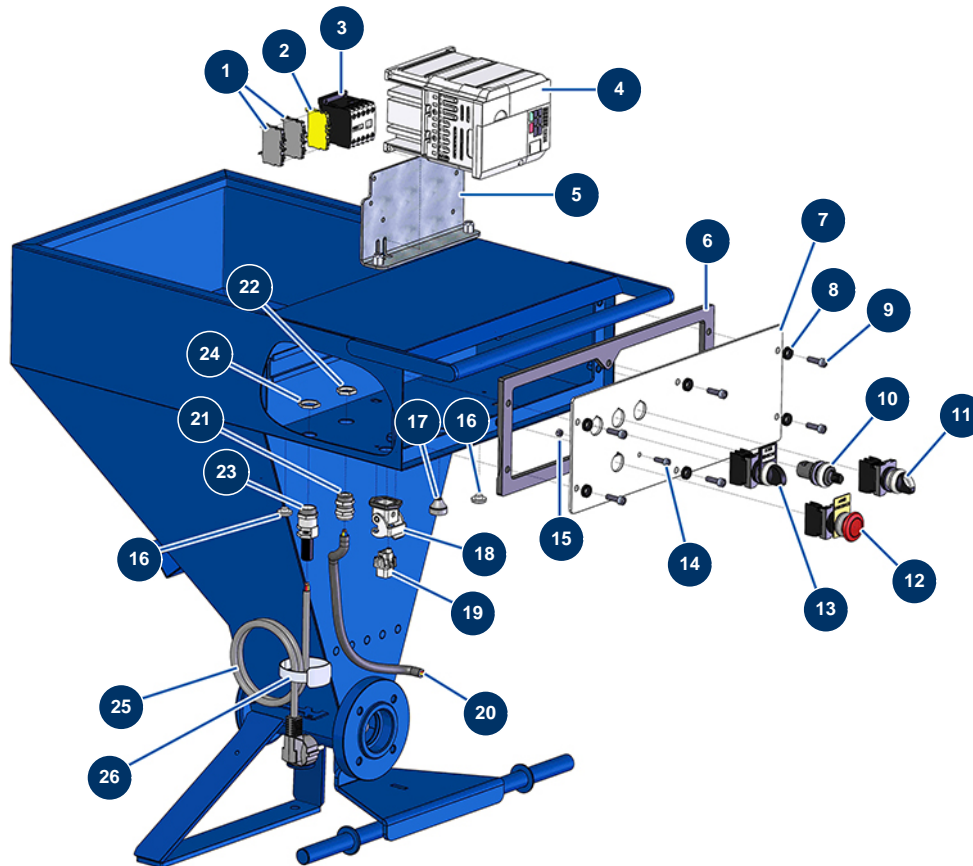


Détails des pièces

Pos.	Référence	Désignation
1	14148	Electric motor 1,5 kW - T90/80 - B14 - 1400 rpm - 400V
2	80446	Cable gland reduction M 25-11
3	30040	Nickel plated watertight cable gland of 11 CEM
4	14498	Speed reducer 90° - T50 - R15 - B14/T90
5	30257	THEF 10 x 25 screw
6	30280	ø 10 inox narrow washer
7	60012	M6 straight lubricator
8	M10645	Bayonet drive shaft for DROPPRO 8P, MINIJET 80
9	90749	8 x 7 x 65 parallel key with round end for 6P,8P,14P,7000z,9000z
10	70062	Spi seal 40 x 52 x 7 for 4,6,8P, AG, MPE, 7000z, 9000z
11	M10649	Connecting rod for DROPPRO 8P, MINIJET 80
12	13979	M10 flat inox nut
13	C22982	DROPPRO & MINIJET pump handle

Pos.	Référence	Désignation
14	MI7009107500	EUROPRO JET 1 pump rotor with bayonet head
15	MI3F00529800	EUROPRO JET 1 pump stator
16	30542	EUROPRO JET 1 pump rotor/stator kit
17	M10226	Fastening tie rod for JETPRO 80
18	M10727	Stator flange for MINIJET/JETPRO without stainless steel insert
19	80261	∅ 10 inox medium washer
20	13978	M10 inox nut
21	M10782	MINIJET/JETPRO stator flange insert
22	30667	15 meshes filter for JETPRO spray-gun
23	14863	35 x 3 O-ring
24	14765	22 x 2 O-ring
25	M10781	BLUE filter plug for stainless steel insert
26	14789	Complete ball cage for MINIJET/JETPRO new generation
27	14607	27 x 1,5 O-ring
28	14764	28 x 2 O-ring
29	90842	1/4" high-pressure MaleC plug
30	M10810	Outer threaded high connector 1" for MINIJET/JETPRO flange
31	12567	6 x 35 cylindrical head screw
32	12623	50 mm axial manometer 1/4" conical - 0 to 160 bar
33	14976	250 Bar 4-20mA pressure sensor
34	14863	35 x 3 O-ring
35	12409	M12 straight female connector with 2m cable

MINIJET 80 complete atomizer - COATSPRAY spray-gun - Electrical box

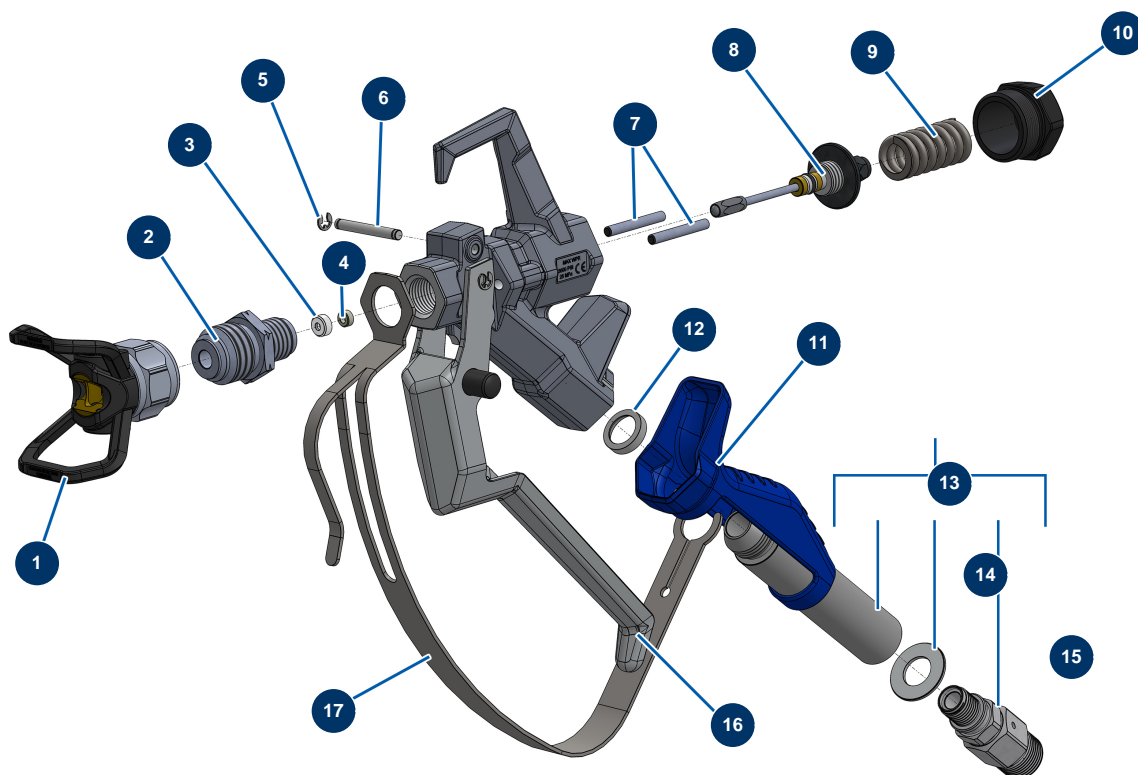


Détails des pièces

Pos.	Référence	Désignation
1	80467	Grey conductor block 4 mm ²
2	30038	Yellow and green conductive block 6 mm ²
3	30011	230 Volt coil switch for sprayer
4	12300	Inverter 230 V - 1,5 kW logical
5	10002	4 & 8 P electronic control support
6	10049	EUROPRO 8 P electrical box gasket
7	10006	8 P electrical junction box holder
8	80573	Hollow washer Ø 6
9	90996	6 x 20 inox cylindrical head screw
10	80645	Spraying machine complete potentiometer from MARCH 2003
11	14180	MINIJET complete MANU-AUTO-REVERSE button
12	90038	Complete EMERGENCY STOP button Ø 22
13	30034	Complete ON button

Pos.	Référence	Désignation
14	90160	5 x 16 cylindrical head screw
15	11880	M 5 nylstop nut
16	80397	Water exhaust cork for electrical box
16	80397	Water exhaust cork for electrical box
17	11564	M 16 grey rubber cable gland
18	11915	Blowing machine insulating support 3 p + T - 1 lever
19	11914	Female insert 4p + G
20	90606	Shielded cable 4 x 1,5 by the metre
21	30040	Nickel plated watertight cable gland of 11 CEM
22	30333	Cable gland locknut of 11 CEM
23	80450	cabl gland for 11mm supply cable
24	30060	11mm cable gland nut
25	90180	Supply cable with moulded plug 3G 1,5 mm ²
26	12411	Self-gripping collar 20 x 330 mm

MINIJET 80 complete atomizer - COATSPRAY spray-gun - Spray-gun



**Raccord renforcé optionnel / Optional reinforced connector*

Détails des pièces

Pos.	Référence	Désignation
1	51001	BST, BBP & BFF 7/8" tip guard
2	51054	COATSPRAY spray-gun 7/8" diffuser
3	51047	PAINTSPRAY, COATSPRAY spray-gun needle seat gasket
4	51046	PAINTSPRAY, COATSPRAY spray-gun needle seat
5	51043	PAINTSPRAY, COATSPRAY spray-gun trigger axis circlip
6	51057	COATSPRAY spray-gun trigger axis
7	51055	COATSPRAY spray-gun retraction pin
8	51053	COATSPRAY spray-gun needle repair kit
9	51034	PAINTSPRAY, COATSPRAY spray-gun needle return spring
10	51038	PAINTSPRAY, COATSPRAY spray-gun needle lock plug
11	51037	PAINTSPRAY spray-gun plastic handle
12	51051	COATSPRAY spray-gun filter holder bearing gasket
13	51035	PAINTSPRAY spray-gun filter holder

Pos.	Référence	Désignation
14	51045	PAINTSPRAY, COATSPRAY spray-gun revolving coupling gasket
15	51058	1/2" MBSP revolving coupling for COATSPRAY spray-gun
16	51056	COATSPRAY spray-gun complete trigger
17	51052	COATSPRAY spray-gun trigger protection

MINIJET 80 complete atomizer - COATSPRAY spray-gun - Hose



Détails des pièces

Pos.	Référence	Désignation
1	14801	ø 16 x 10 m product hose, quick couplings F1" x F1/2" MINIJET/JETPRO
2	14799	1" F quick coupling ø 16 corrugated for MINIJET/JETPRO
3	13651	2SC 5/8" black hose ø 16 standard marking
4	14798	1/2 "F quick coupling ø 16 corrugated for MINIJET/JETPRO