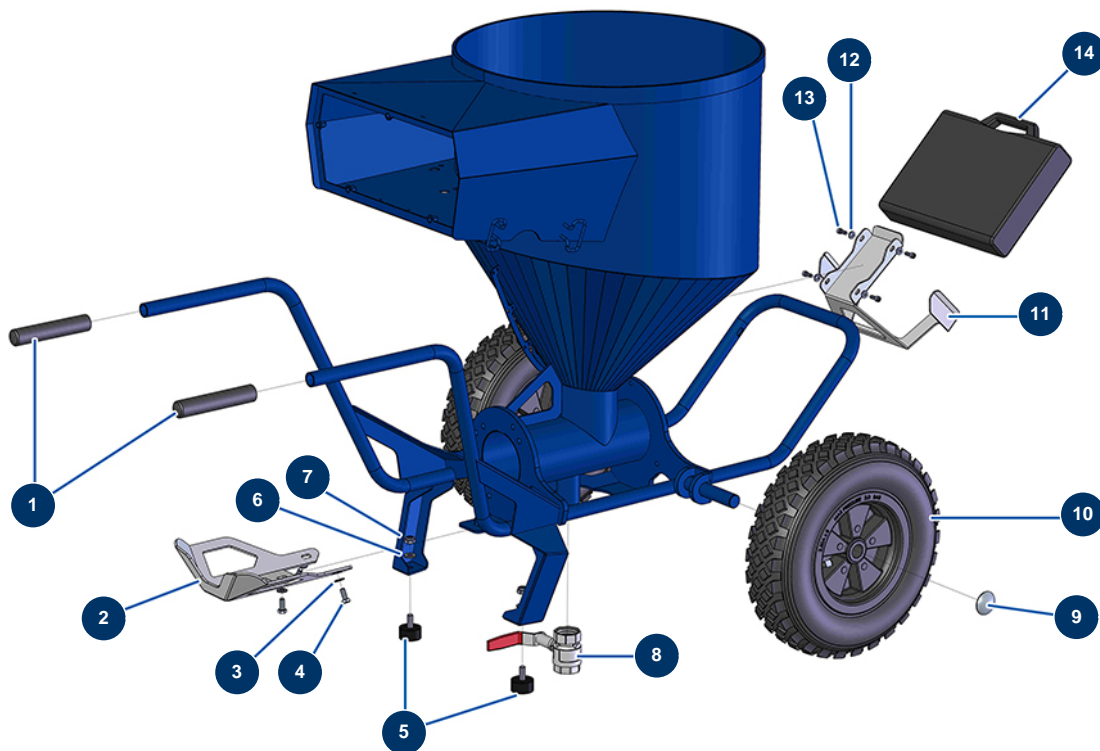


JETPRO 100-7 complete atomizer - Chassis

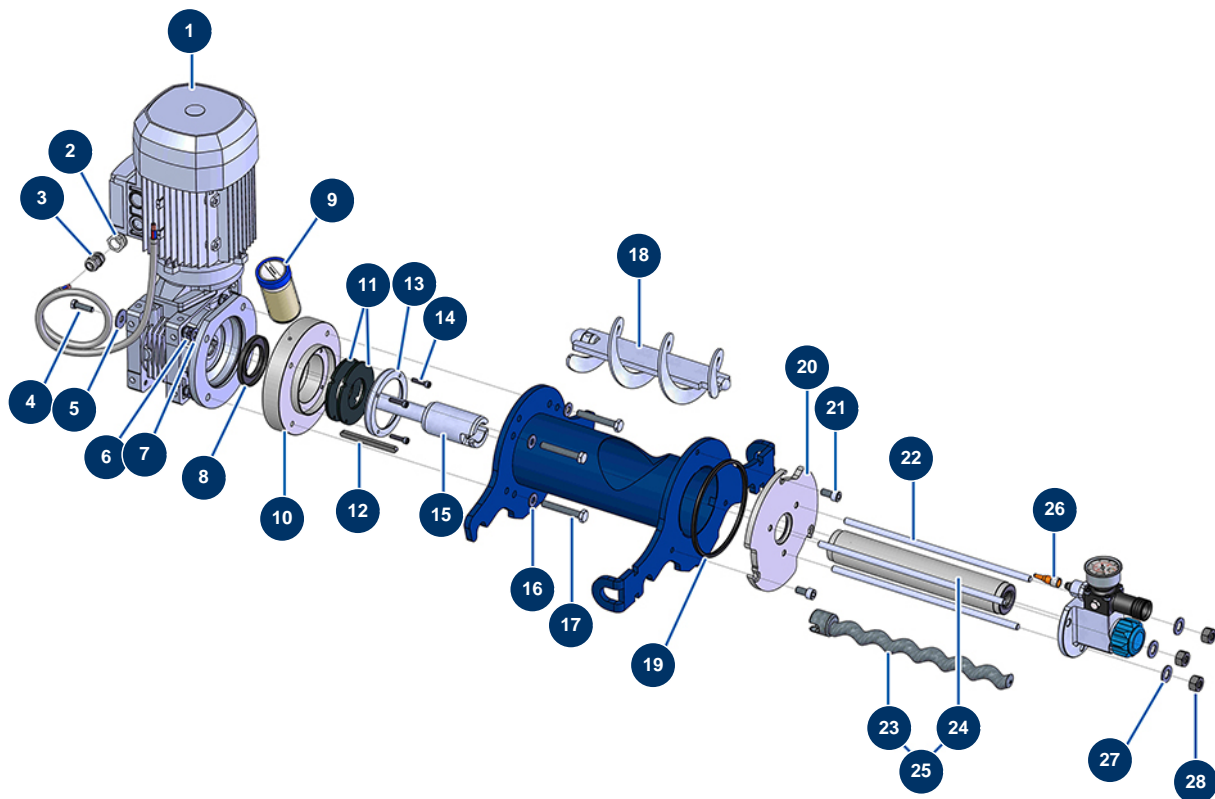


Détails des pièces

Pos.	Référence	Désignation
1	90255	Arm handle for EUROPRO 24P, E50 and E100
2	C22683	2
3	80260	ø 8 inox medium washer
4	30273	THEF 8 x 20 screw
5	30145	Ø 40 x 20 M10 stop
6	80261	ø 10 inox medium washer
7	13981	M 10 nylstop inox nut
8	14584	EUROPRO DROPPRO 30P drain valve
9	90282	Ø25 chromed clip
10	80003	Ø400 complete wheel with shaft of 25 for 100TH, MPE 300
11	C22709	11
12	80259	Ø 6 medium washer
13	90157	M6 x 16 cylindrical head screw - CP 60

Pos.	Référence	Désignation
14	90603	Empty case for lance

JETPRO 100-7 complete atomizer - Transmission

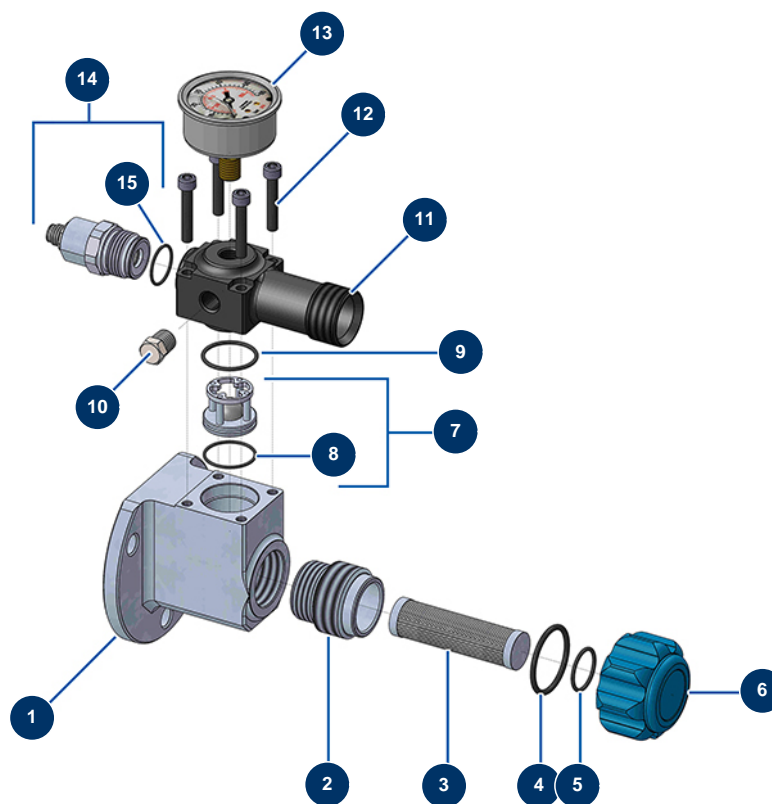


Détails des pièces

Pos.	Référence	Désignation
1	90189	Electric motor 2,2 kW - T90 - B14 - 1400 rpm - 400V
2	80446	Cable gland reduction M 25-11
3	30040	Nickel plated watertight cable gland of 11 CEM
4	11544	THEF 8 x 25 screw
5	30293	ø 10 inox large washer
6	13981	M 10 nylstop inox nut
7	80261	ø 10 inox medium washer
8	70107	Spi seal 50 x 80 x 8 for 24P,24PT, MPE300, COMPACT-PRO 30
9	90639	Automatic greaser
10	M10468	BONFI motor spacer flange for JETPRO, JETMIX 80 & 100
11	12507	Bottom of tank seal for JETPRO 80
12	90750	8 x 7 x 100 parallel key with round end for 24P et PT
13	M10222	Flange seal for JETPRO 80 & 120

Pos.	Référence	Désignation
14	80614	6 x 25 inox cylindrical head screw
15	M10221	Drive shaft for JETPRO 80
16	80259	Ø 6 medium washer
17	12163	THEF 10 x 70 inox screw
18	C20561	JETPRO 80 connecting rod
19	12815	4-lobes seal for JETPRO / JETBAG 120 flange
20	M10546	JETPRO 120 support flange - JET 1-2 pump
21	80668	10 x 20 cylindrical head screw
22	M10226	Fastening tie rod for JETPRO 80
23	MI7009107700	EUROPRO JET 2 chromed pump rotor with bayonet head
24	MI3F00529100	EUROPRO JET 2-80SH pump stator
25	30791	EUROPRO JET 2 pump rotor/stator kit
26	12409	M12 straight female connector with 2m cable
27	30286	ø 14 inox narrow washer
28	10036	M 14 nut

JETPRO 100-7 complete atomizer - Flange

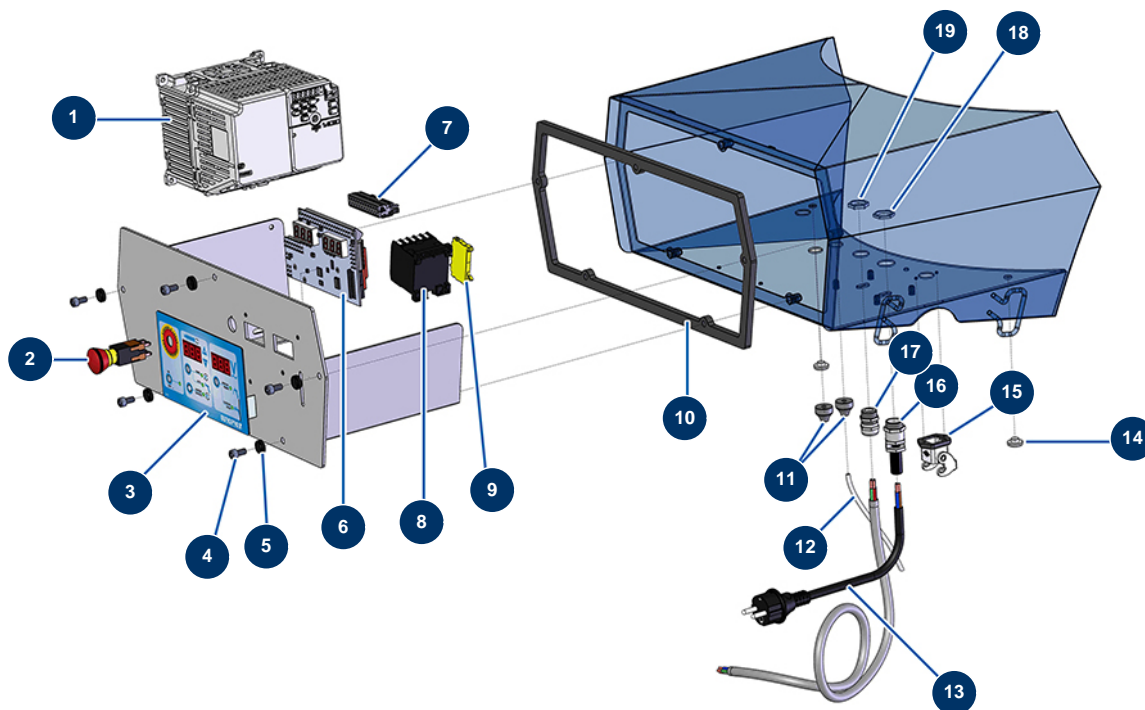


Détails des pièces

Pos.	Référence	Désignation
1	M10727	Stator flange for MINIJET/JETPRO without stainless steel insert
2	M10782	MINIJET/JEPTRIO stator flange insert
3	30667	15 meshes filter for JETPRO spray-gun
4	14863	35 x 3 O-ring
5	14765	22 x 2 O-ring
6	M10781	BLUE filter plug for stainless steel insert
7	14789	Complete ball cage for MINIJET/JETPRO new generation
8	14607	27 x 1,5 O-ring
9	14764	28 x 2 O-ring
10	90842	1/4" high-pressure MaleC plug
11	M10810	Outer threaded high connector 1" for MINIJET/JETPRO flange
12	12567	6 x 35 cylindrical head screw
13	12623	50 mm axial manometer 1/4" conical - 0 to 160 bar

Pos.	Référence	Désignation
14	14976	250 Bar 4-20mA pressure sensor
15	14863	35 x 3 O-ring

JETPRO 100-7 complete atomizer - Electrical box

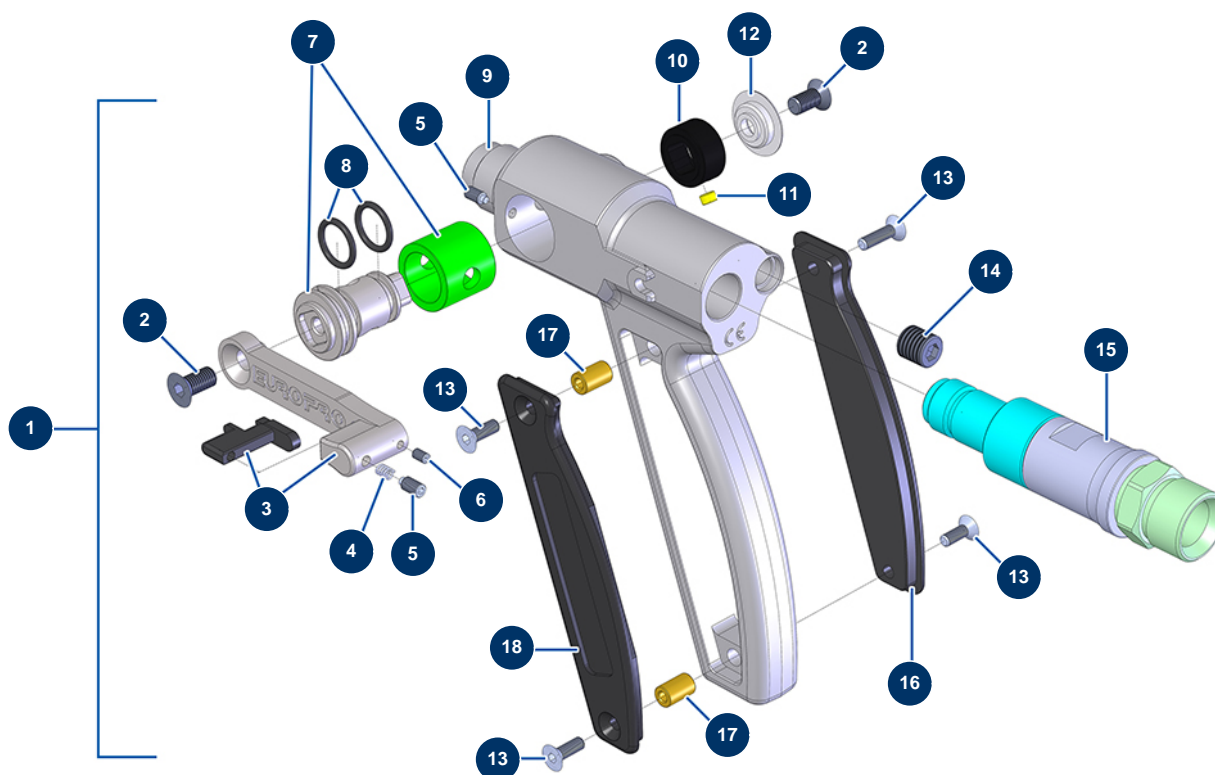


Détails des pièces

Pos.	Référence	Désignation
1	80459	Inverter 230 V - 2.2 KW
2	13015	Hanging EMERGENCY STOP button Ø16
3	13009	Membrane front panel for JETPRO
4	12112	6 x 12 cylindrical head screw
5	80573	Hollow washer Ø 6
6	30731	Electronic board for JETPRO 120
7	11771	12 pins male connector
8	11918	Coil contactor 24 Volt AC
9	30038	Yellow and green conductive block 6 mm ²
10	14565	DROPPRO 30P electrical box gasket
11	11564	M 16 grey rubber cable gland
12	12409	M12 straight female connector with 2m cable
13	90214	Power cable with molded plug 3G 2,5 mm ²

Pos.	Référence	Désignation
14	80397	Water exhaust cork for electrical box
15	11915	Blowing machine insulating support 3 p + T - 1 lever
16	80451	Brass cable gland of 13 for power cable
17	30082	Nickel plated watertight cable gland of 11
18	30054	Cable gland locknut of 13
19	30333	Cable gland locknut of 11 CEM

JETPRO 100-7 complete atomizer - Spray-gun (from 2021)



Détails des pièces

Pos.	Référence	Désignation
1	14797	New generation MINIJET/JETPRO spray-gun, without nozzle holder & without nozzle
2	12849	6 x 12 countersunk head screw
2	12849	6 x 12 countersunk head screw
3	M07029	JETPRO spray-gun complete trigger
4	13589	Trigger spring for JETPRO spray-gun
5	13598	Countersunk head screw M4 x 8 inox
5	13598	Countersunk head screw M4 x 8 inox
6	12708	3 x 5 stainless steel socket head screw with flat tip
7	14222	Complete flue block/jacket for JETPRO spray-gun
8	11303	12 x 2 o-ring
9	M10290	JETPRO spray-gun body
10	M10240	JETPRO spray-gun detection stop
11	13031	Wireless remote control starting magnet Ø 5 x 3

Pos.	Référence	Désignation
12	M10303	JETPRO spray-gun supported washer
13	13912	4 x 16 countersunk head screw
13	13912	4 x 16 countersunk head screw
13	13912	4 x 16 countersunk head screw
13	13912	4 x 16 countersunk head screw
14	14793	M10 x 100 threaded plug (fine pitch)
15	M07056	Turning connector for JETPRO spray-gun
16	M10239	JETPRO spray-gun handle right cover
17	M10242	Axle for JETPRO spray-gun handle cover
17	M10242	Axle for JETPRO spray-gun handle cover
18	M10238	JETPRO spray-gun handle left cover

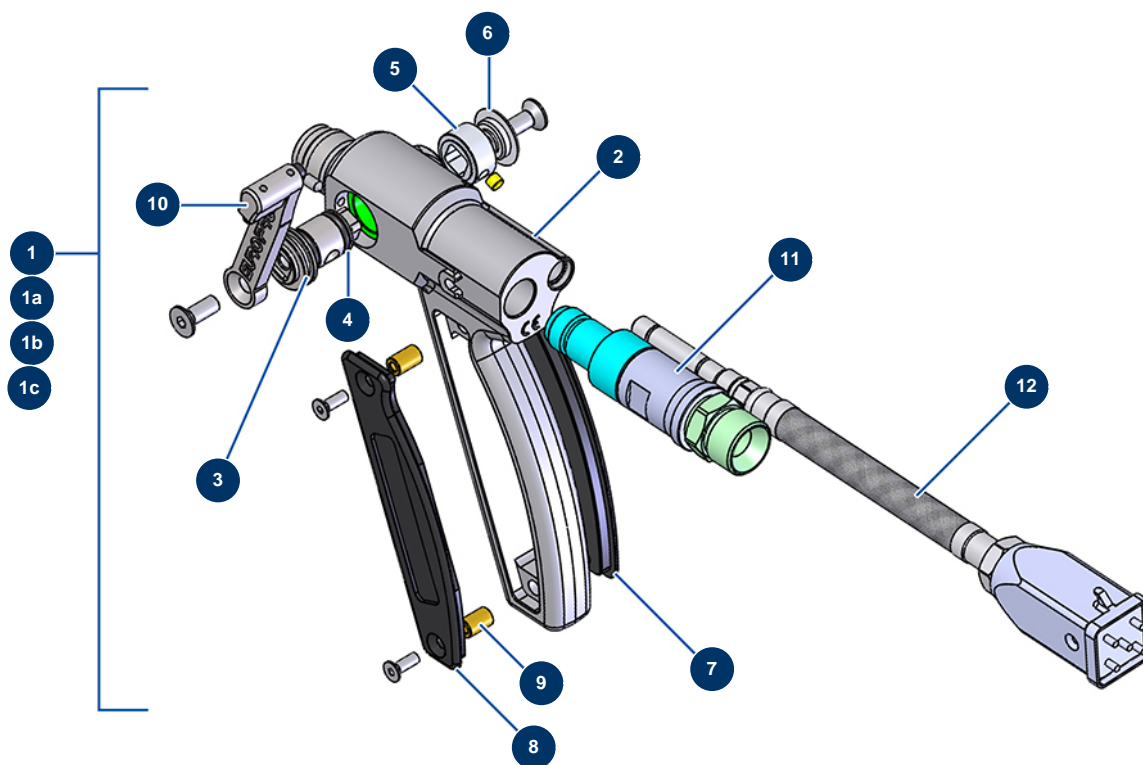
JETPRO 100-7 complete atomizer - Hoses and extensions (from 2021)



Détails des pièces

Pos.	Référence	Désignation
1	14803	∅ 16 x 20 m product hose, quick couplings F1" x F1/2" MINIJET/JETPRO
2	14799	1" F quick coupling ∅ 16 corrugated for MINIJET/JETPRO
3	13651	2SC 5/8" black hose ∅ 16 standard marking
4	14798	1/2 "F quick coupling ∅ 16 corrugated for MINIJET/JETPRO
5	14814	∅ 19 x 10 m product hose, quick couplings F 1" x M 1" MINIJET/JETPRO
6	M10734	1" M corrugated ∅ 19 quick coupling for MINIJET/JETPRO
7	12426	3/4" black 2SC hose ∅ 19 standard marking
8	14800	1" F corrugated ∅ 19 quick coupling for MINIJET/JETPRO

JETPRO 100-7 complete atomizer - Spray-guns (up to 12/2020)

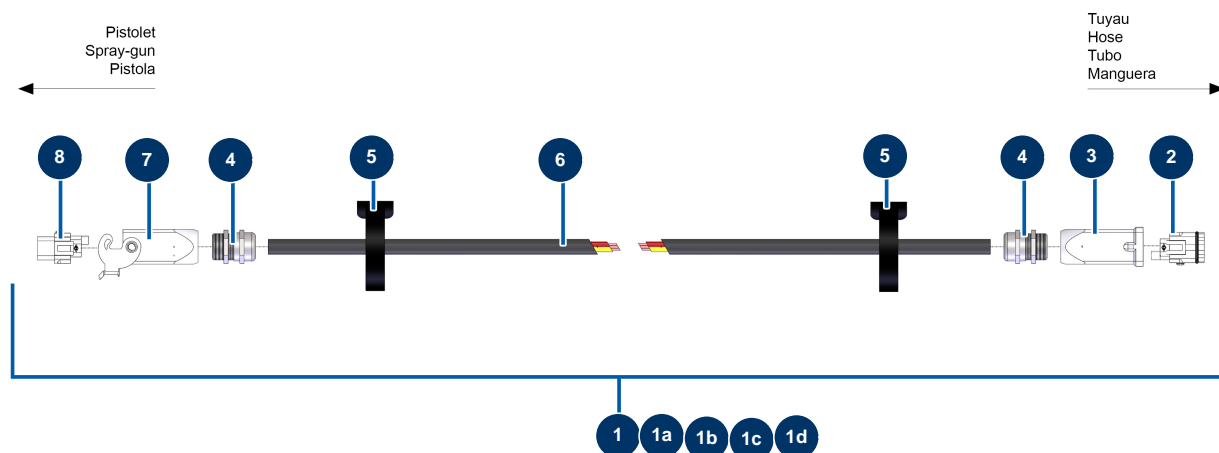


Détails des pièces

Pos.	Référence	Désignation
1	13176	Complete inox JETPRO spray-gun without nozzle holder
1a	13168	Complete JETPRO spray-gun, wireless remote control without nozzle holder & nozzle
1b	12549	Complete JETPRO spray-gun without nozzle holder
1c	M07022	JETPRO spray-gun without sensor, nozzle and nozzle holder
2	M10290	JETPRO spray-gun body
3	14222	Complete flue block/jacket for JETPRO spray-gun
4	11303	12 x 2 o-ring
5	M10240	JETPRO spray-gun detection stop
6	M10303	JETPRO spray-gun supported washer
7	M10239	JETPRO spray-gun handle right cover
8	M10238	JETPRO spray-gun handle left cover
9	M10242	Axle for JETPRO spray-gun handle cover
10	M07029	JETPRO spray-gun complete trigger

Pos.	Référence	Désignation
11	M07056	Turning connector for JETPRO spray-gun
12	12766	Complete sensor kit with square plug for JETPRO spray-gun

JETPRO 100-7 complete atomizer - Remote control extensions



Détails des pièces

Pos.	Référence	Désignation
1	12904	10m extension for remote control
1a	12905	15m extension for remote control
1b	12906	20m extension for remote control
1c	12908	25m extension for wired remote control
1d	12907	40 metre extension for remote control UNIVERSAL
2	11913	Blowing machine male insert 4 p + T
3	11916	Blowing machine insulating cover 3 p + T
4	30082	Nickel plated watertight cable gland of 11
4	30082	Nickel plated watertight cable gland of 11
5	12410	Self-gripping collar with loop 12,7 x 228 mm
5	12410	Self-gripping collar with loop 12,7 x 228 mm
6	30016	H07RNF 3G1.5 electrical cable by the metre
7	11966	Blowing machine 1 lever insulating cover 3 p + T

Pos.	Référence	Désignation
8	11914	Female insert 4p + G