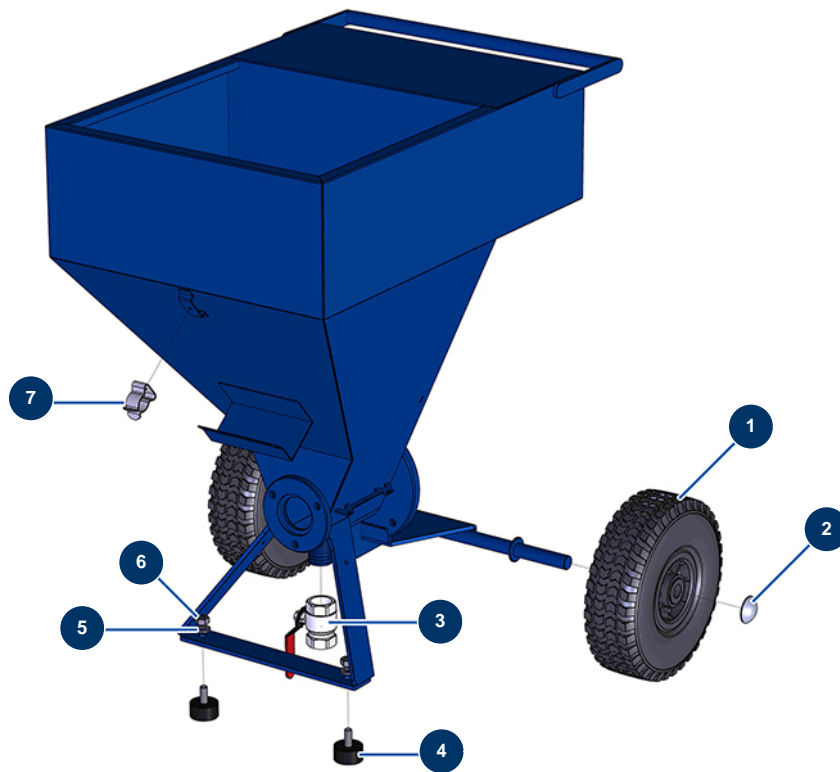


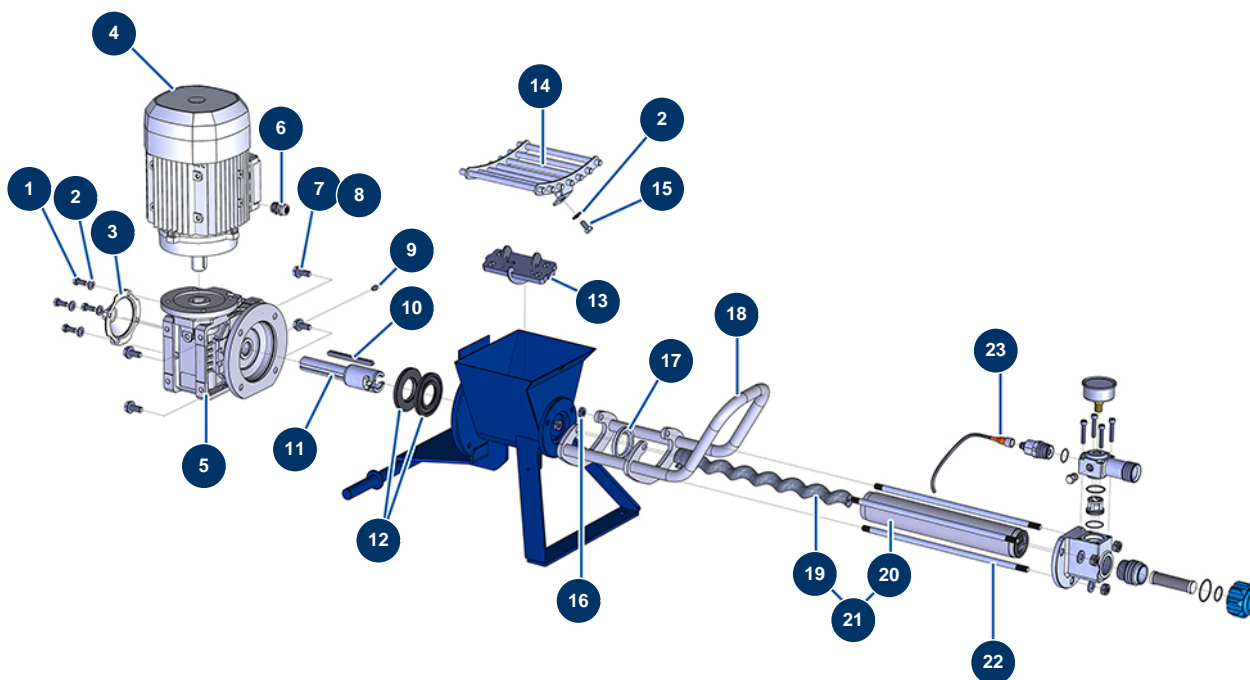
## MINIJET 120 complete atomizer - Chassis



### Détails des pièces

Pos.	Référence	Désignation
1	80001	Complete wheel 260 shaft of 20 for 6,8,14P, MPE 80 and 200, 7000z, 9000z
2	90281	Ø20 chromed clip
3	70031	Drain valve for EUROPRO 4-6-8-14 P, MPE, AG, 7000z, 9000z
4	30145	Ø 40 x 20 M10 stop
5	80261	ø 10 inox medium washer
6	13978	M10 inox nut
7	80582	Case support spring

## MINIJET 120 complete atomizer - Transmission (from 2021)

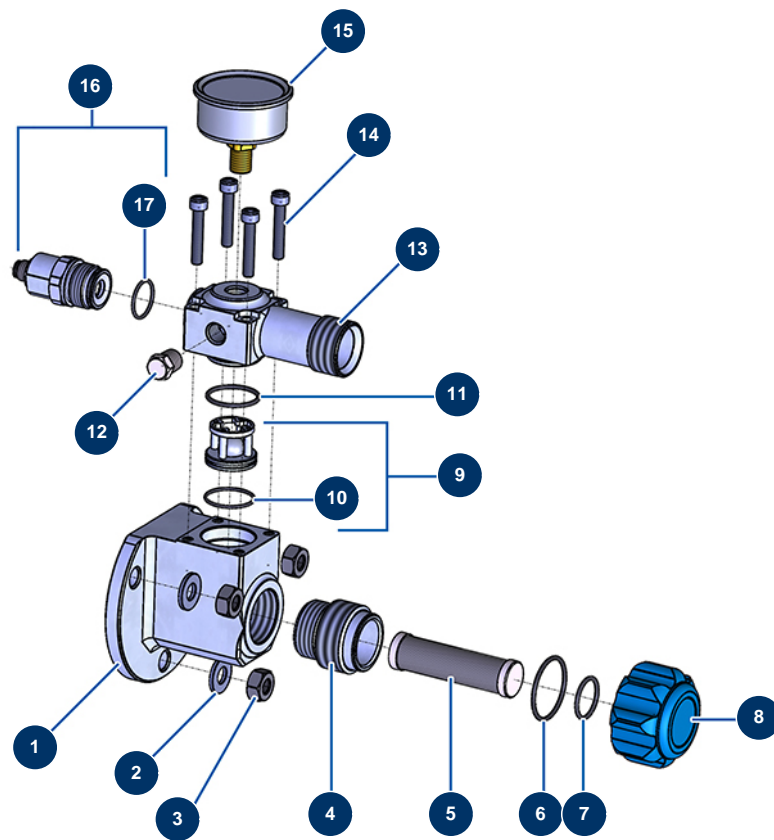


### Détails des pièces

Pos.	Référence	Désignation
1	30273	THEF 8 x 20 screw
2	80260	ø 8 inox medium washer
2	80260	ø 8 inox medium washer
3	90287	14 P2 & 24 P gear reducer plastic cover
4	90189	Electric motor 2,2 kW - T90 - B14 - 1400 rpm - 400V
5	13458	Speed reducer 90° - T63 - R10 - B14/T90
6	30040	Nickel plated watertight cable gland of 11 CEM
7	30257	THEF 10 x 25 screw
8	80261	ø 10 inox medium washer
9	60012	M6 straight lubricator
10	90750	8 x 7 x 100 parallel key with round end for 24P et PT
11	M10646	Bayonet drive shaft for DROPPRO 14P
12	90726	Spi seal 40 x 80 x 7 for 14P

Pos.	Référence	Désignation
13	C23391	MINIJET 120 connecting rod from 2024
14	C22509	Removable grid for DROPPRO 14P & MINJET 120
15	30295	THEF 8 x 16 screw
16	13979	M10 flat inox nut
17	80492	14 P stator reduction ring
18	C22982	DROPPRO & MINIJET pump handle
19	MI7009107700	EUROPRO JET 2 chromed pump rotor with bayonet head
20	MI3F00529100	EUROPRO JET 2-80SH pump stator
21	30791	EUROPRO JET 2 pump rotor/stator kit
22	M10226	Fastening tie rod for JETPRO 80
23	12409	M12 straight female connector with 2m cable

## MINIJET 120 complete atomizer - Flange

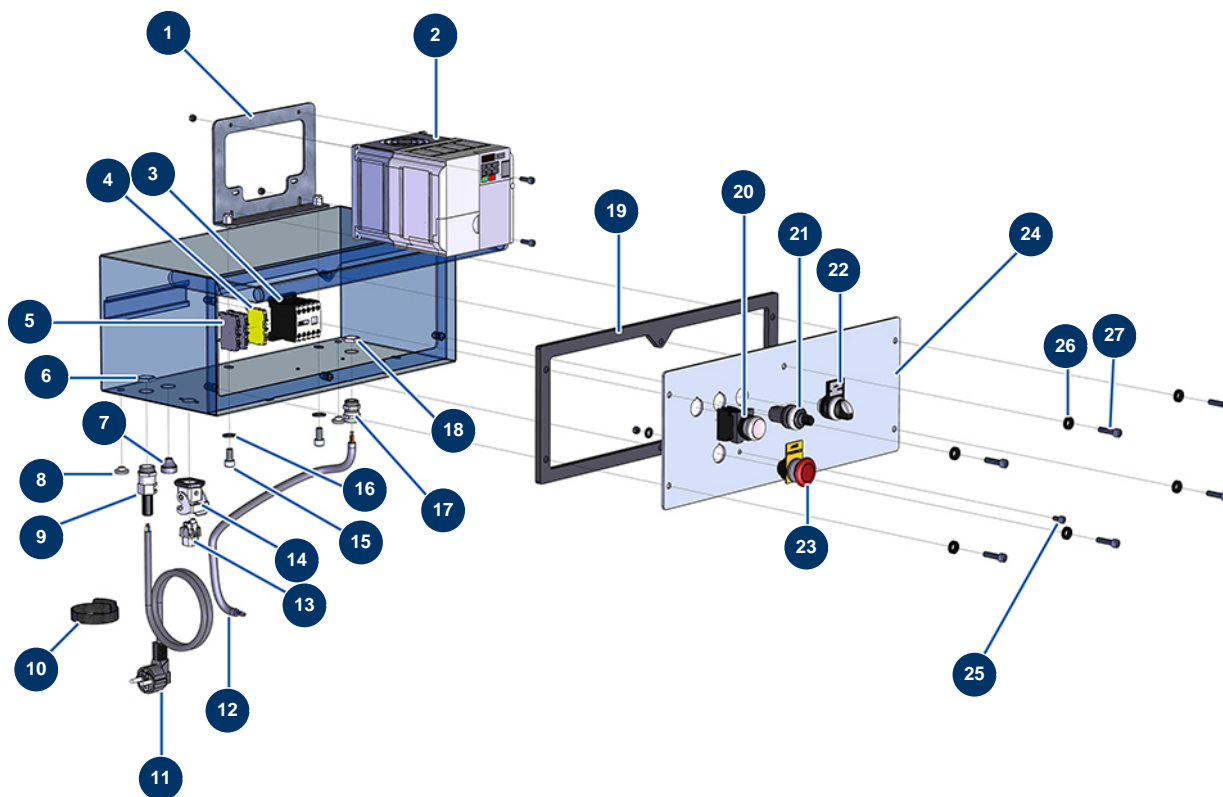


### Détails des pièces

Pos.	Référence	Désignation
1	M10727	Stator flange for MINIJET/JETPRO without stainless steel insert
2	80261	ø 10 inox medium washer
3	13978	M10 inox nut
4	M10782	MINIJET/JEPTRO stator flange insert
5	30667	15 meshes filter for JETPRO spray-gun
6	14863	35 x 3 O-ring
7	14765	22 x 2 O-ring
8	M10781	BLUE filter plug for stainless steel insert
9	14789	Complete ball cage for MINIJET/JETPRO new generation
10	14607	27 x 1,5 O-ring
11	14764	28 x 2 O-ring
12	90842	1/4" high-pressure MaleC plug
13	M10810	Outer threaded high connector 1" for MINIJET/JETPRO flange

Pos.	Référence	Désignation
14	12567	6 x 35 cylindrical head screw
15	12623	50 mm axial manometer 1/4" conical - 0 to 160 bar
16	14976	250 Bar 4-20mA pressure sensor
17	14863	35 x 3 O-ring

## MINIJET 120 complete atomizer - Electrical box

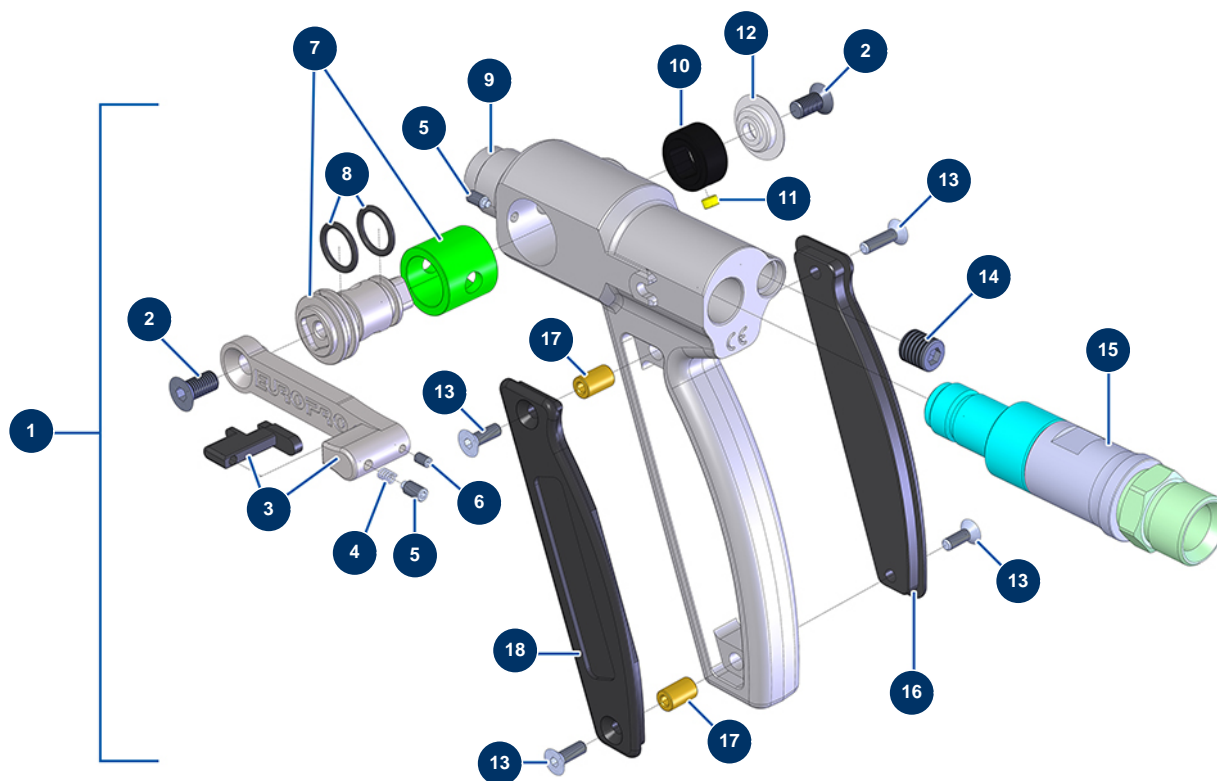


### Détails des pièces

Pos.	Référence	Désignation
1	80472	14 P control support
2	13089	Inverter 230 V - 2.2 KW GA
3	30011	230 Volt coil switch for sprayer
4	30038	Yellow and green conductive block 6 mm <sup>2</sup>
5	80467	Grey conductor block 4 mm <sup>2</sup>
6	30060	11mm cable gland nut
7	11564	M 16 grey rubber cable gland
8	80397	Water exhaust cork for electrical box
9	80450	cable gland for 11mm supply cable
10	12411	Self-gripping collar 20 x 330 mm
11	90180	Supply cable with moulded plug 3G 1,5 mm <sup>2</sup>
12	90606	Shielded cable 4 x 1,5 by the metre
13	11914	Female insert 4p + G

Pos.	Référence	Désignation
14	11915	Blowing machine insulating support 3 p + T - 1 lever
15	80668	10 x 20 cylindrical head screw
16	80260	∅ 8 inox medium washer
17	30040	Nickel plated watertight cable gland of 11 CEM
18	30333	Cable gland locknut of 11 CEM
19	90734	EUROPRO 14 P box gasket
20	30034	Complete ON button
21	80645	Spraying machine complete potentiometer from MARCH 2003
22	14180	MINIJET complete MANU-AUTO-REVERSE button
23	90038	Complete EMERGENCY STOP button ∅ 22
24	30272	14 P electrical box holder
25	90798	M6 x 10 cylindrical head screw - CP 60 cylindrical head screw
26	80573	Hollow washer ∅ 6
27	90996	6 x 20 inox cylindrical head screw

## MINIJET 120 complete atomizer - Spray-gun (from 2021)



### Détails des pièces

Pos.	Référence	Désignation
1	14797	New generation MINIJET/JETPRO spray-gun, without nozzle holder & without nozzle
2	12849	6 x 12 countersunk head screw
2	12849	6 x 12 countersunk head screw
3	M07029	JETPRO spray-gun complete trigger
4	13589	Trigger spring for JETPRO spray-gun
5	13598	Countersunk head screw M4 x 8 inox
5	13598	Countersunk head screw M4 x 8 inox
6	12708	3 x 5 stainless steel socket head screw with flat tip
7	14222	Complete flue block/jacket for JETPRO spray-gun
8	11303	12 x 2 o-ring
9	M10290	JETPRO spray-gun body
10	M10240	JETPRO spray-gun detection stop
11	13031	Wireless remote control starting magnet Ø 5 x 3

Pos.	Référence	Désignation
12	M10303	JETPRO spray-gun supported washer
13	13912	4 x 16 countersunk head screw
13	13912	4 x 16 countersunk head screw
13	13912	4 x 16 countersunk head screw
13	13912	4 x 16 countersunk head screw
14	14793	M10 x 100 threaded plug (fine pitch)
15	M07056	Turning connector for JETPRO spray-gun
16	M10239	JETPRO spray-gun handle right cover
17	M10242	Axle for JETPRO spray-gun handle cover
17	M10242	Axle for JETPRO spray-gun handle cover
18	M10238	JETPRO spray-gun handle left cover

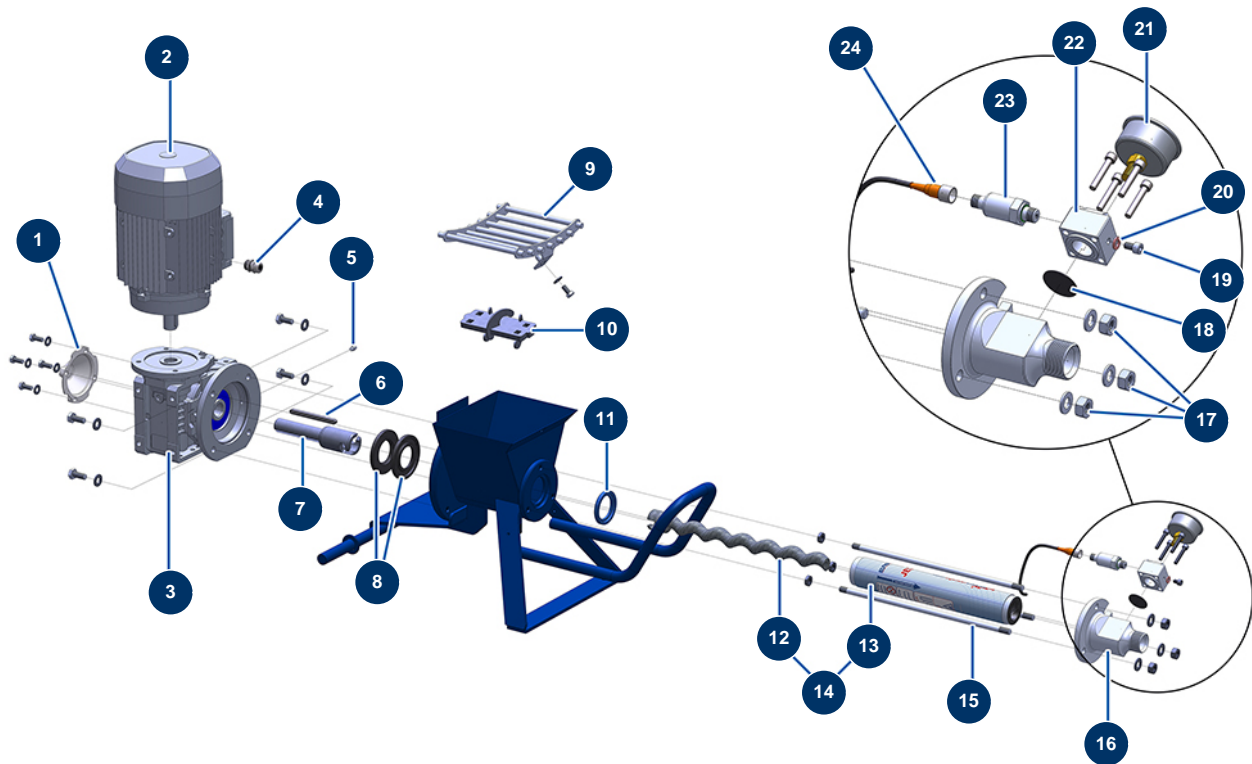
## MINIJET 120 complete atomizer - Hoses and extensions (from 2021)



### Détails des pièces

Pos.	Référence	Désignation
1	14802	ø 16 x 15 m product hose, quick couplings F1" x F1/2" MINIJET/JETPRO
2	14799	1" F quick coupling ø 16 corrugated for MINIJET/JETPRO
3	13651	2SC 5/8" black hose ø 16 standard marking
4	14798	1/2 "F quick coupling ø 16 corrugated for MINIJET/JETPRO
5	14814	ø 19 x 10 m product hose, quick couplings F 1" x M 1" MINIJET/JETPRO
6	M10734	1" M corrugated ø 19 quick coupling for MINIJET/JETPRO
7	12426	3/4" black 2SC hose ø 19 standard marking
8	14800	1" F corrugated ø 19 quick coupling for MINIJET/JETPRO

## MINIJET 120 complete atomizer - Transmission (from 12/2019 to 12/2020)

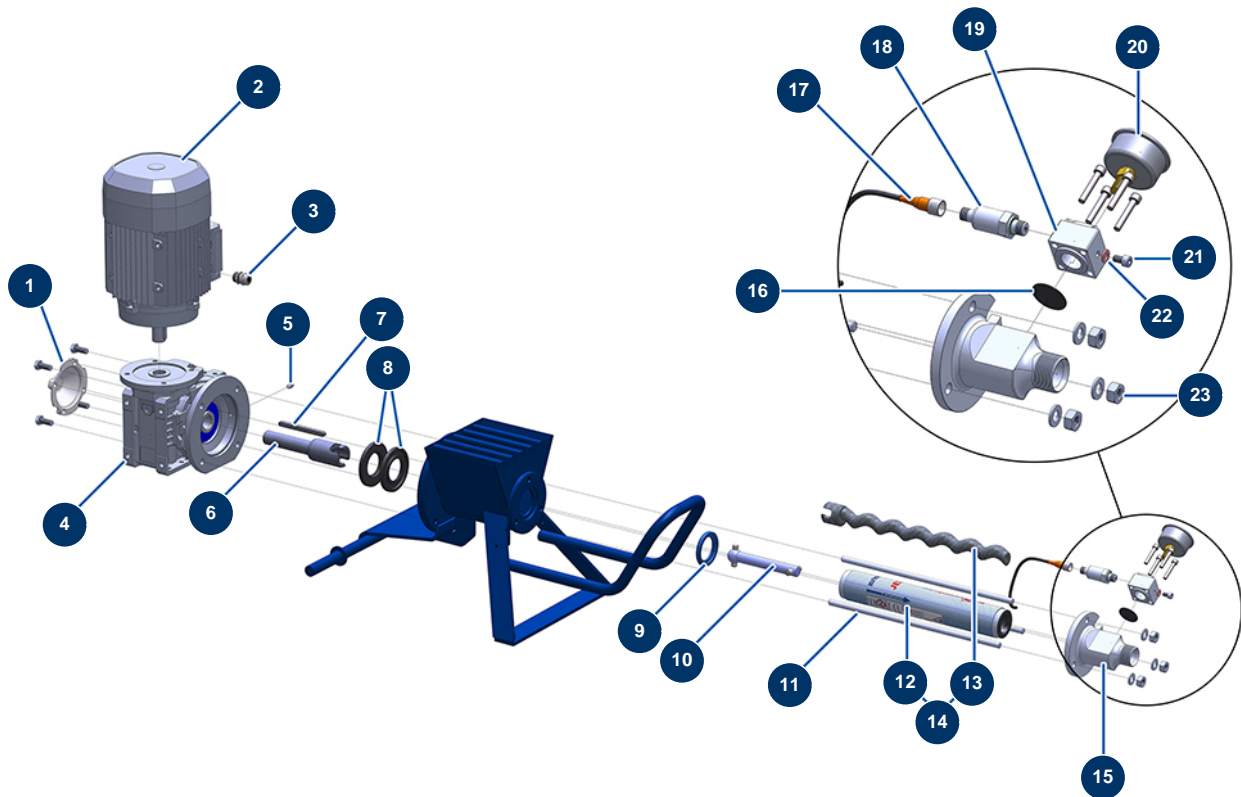


### Détails des pièces

Pos.	Référence	Désignation
1	90287	14 P2 & 24 P gear reducer plastic cover
2	90189	Electric motor 2,2 kW - T90 - B14 - 1400 rpm - 400V
3	13458	Speed reducer 90° - T63 - R10 - B14/T90
4	30040	Nickel plated watertight cable gland of 11 CEM
5	60012	M6 straight lubricator
6	90750	8 x 7 x 100 parallel key with round end for 24P et PT
7	M10692	Bayonet driving shaft for MINIJET 120
8	90726	Spi seal 40 x 80 x 7 for 14P
9	C22509	Removable grid for DROPPRO 14P & MINJET 120
10	C22725	MINIJET 120 connecting rod from 12/2019
11	80492	14 P stator reduction ring
12	MI7009107700	EUROPRO JET 2 chromed pump rotor with bayonet head
13	MI3F00529100	EUROPRO JET 2-80SH pump stator

Pos.	Référence	Désignation
14	30791	EUROPRO JET 2 pump rotor/stator kit
15	M10226	Fastening tie rod for JETPRO 80
16	M10227	Stator flange for JETPRO 80
17	90453	M 10 nut
18	12913	Pump nose manometer membrane for JETPRO 80, 120, JETBAG 120
19	90798	M6 x 10 cylindrical head screw - CP 60 cylindrical head screw
20	12765	Copper seal for JETPRO 80 pump nose
21	12623	50 mm axial manometer 1/4" conical - 0 to 160 bar
22	M10228	Stator flange lid for JETPRO 80
23	12560	250 bar pressure sensor for JETPRO and JETBAG 120
24	12409	M12 straight female connector with 2m cable

## MINIJET 120 complete atomizer - Transmission (up to 11/2019)

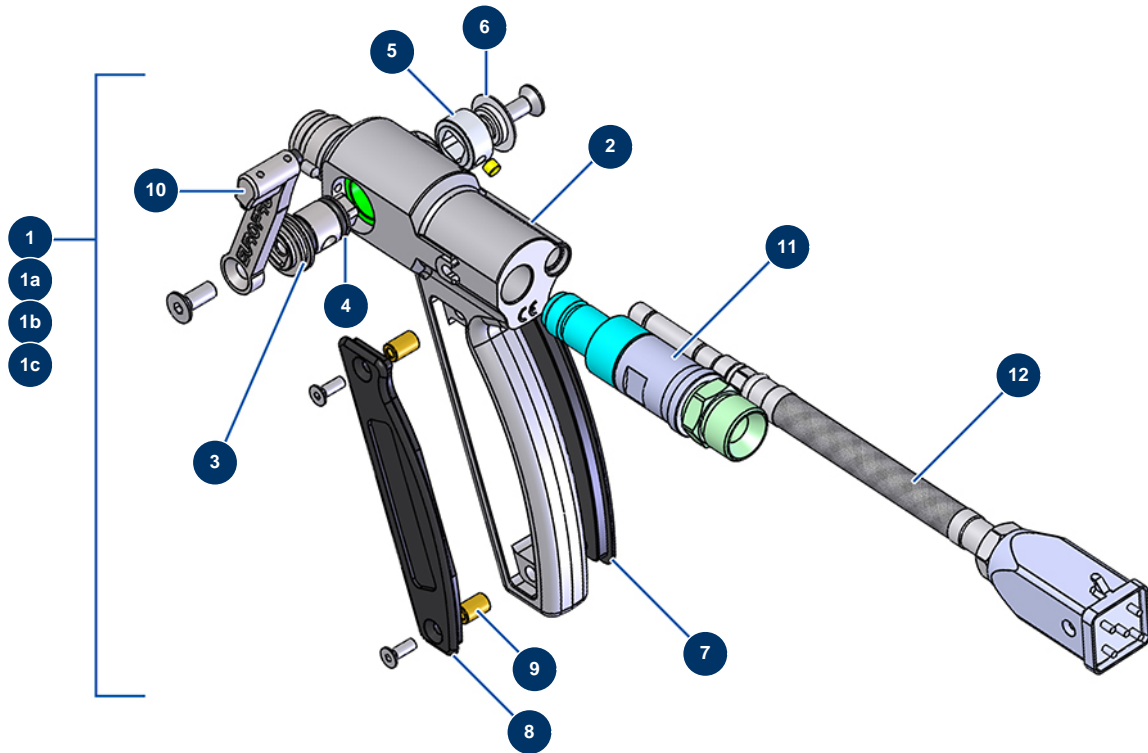


### Détails des pièces

Pos.	Référence	Désignation
1	90287	14 P2 & 24 P gear reducer plastic cover
2	90189	Electric motor 2,2 kW - T90 - B14 - 1400 rpm - 400V
3	30040	Nickel plated watertight cable gland of 11 CEM
4	13458	Speed reducer 90° - T63 - R10 - B14/T90
5	60012	M6 straight lubricator
6	M10646	Bayonet drive shaft for DROPPRO 14P
7	90750	8 x 7 x 100 parallel key with round end for 24P et PT
8	90726	Spi seal 40 x 80 x 7 for 14P
9	80492	14 P stator reduction ring
10	M10650	MINIJET 120 connecting rod up to 11/2019
11	M10226	Fastening tie rod for JETPRO 80
12	MI3F00529100	EUROPRO JET 2-80SH pump stator
13	MI7009107700	EUROPRO JET 2 chromed pump rotor with bayonet head

Pos.	Référence	Désignation
14	30791	EUROPRO JET 2 pump rotor/stator kit
15	M10227	Stator flange for JETPRO 80
16	12913	Pump nose manometer membrane for JETPRO 80, 120, JETBAG 120
17	12409	M12 straight female connector with 2m cable
18	12560	250 bar pressure sensor for JETPRO and JETBAG 120
19	M10228	Stator flange lid for JETPRO 80
20	12623	50 mm axial manometer 1/4" conical - 0 to 160 bar
21	90798	M6 x 10 cylindrical head screw - CP 60 cylindrical head screw
22	12765	Copper seal for JETPRO 80 pump nose
23	90453	M 10 nut

## MINIJET 120 complete atomizer - Spray-gun (up to 12/2020)



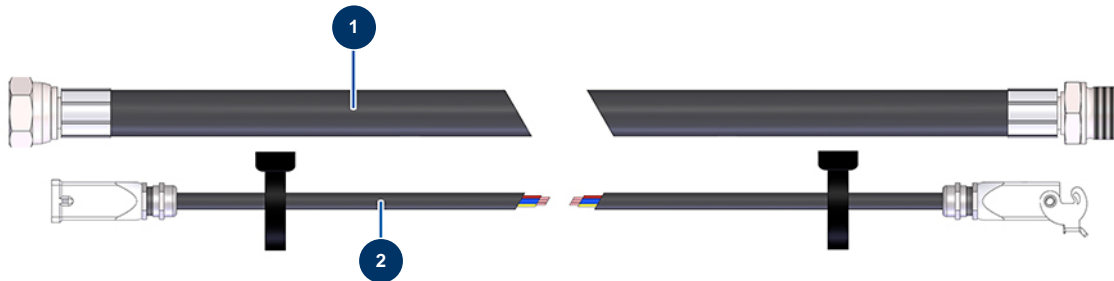
### Détails des pièces

Pos.	Référence	Désignation
1	13176	Complete inox JETPRO spray-gun without nozzle holder
1a	13168	Complete JETPRO spray-gun, wireless remote control without nozzle holder & nozzle
1b	12549	Complete JETPRO spray-gun without nozzle holder
1c	M07022	JETPRO spray-gun without sensor, nozzle and nozzle holder
2	M10290	JETPRO spray-gun body
3	14222	Complete flue block/jacket for JETPRO spray-gun
4	11303	12 x 2 o-ring
5	M10240	JETPRO spray-gun detection stop
6	M10303	JETPRO spray-gun supported washer
7	M10239	JETPRO spray-gun handle right cover
8	M10238	JETPRO spray-gun handle left cover
9	M10242	Axle for JETPRO spray-gun handle cover
10	M07029	JETPRO spray-gun complete trigger

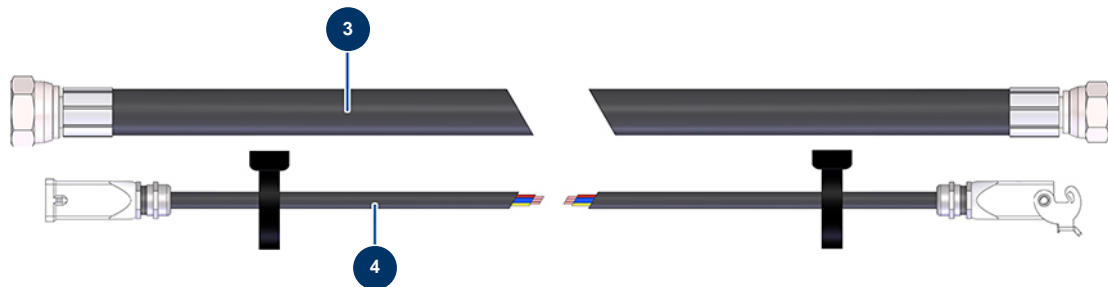
Pos.	Référence	Désignation
11	M07056	Turning connector for JETPRO spray-gun
12	12766	Complete sensor kit with square plug for JETPRO spray-gun

## MINIJET 120 complete atomizer - Extensions and hoses (up to 12/2020)

### Rallonges tuyau produit / Product extension hoses



### Tuyau produit et télécommande filaire / Product hose and remote control



### Détails des pièces

Pos.	Référence	Désignation
1	12587	Product hose extension Ø19 x 10 m - M1" x F1"
2	12904	10m extension for remote control
3	14579	ø 16 x 15 m product hose - F1" x F1/2"
4	14290	Complete 16 m reinforced cable for JETPRO electrical remote control