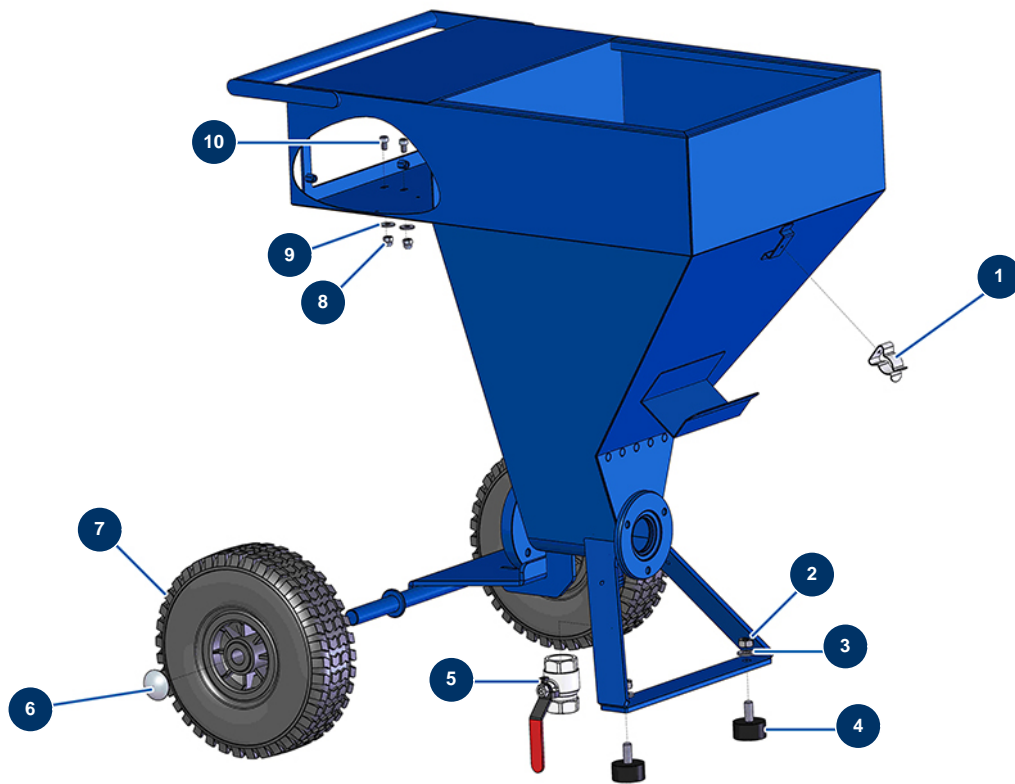


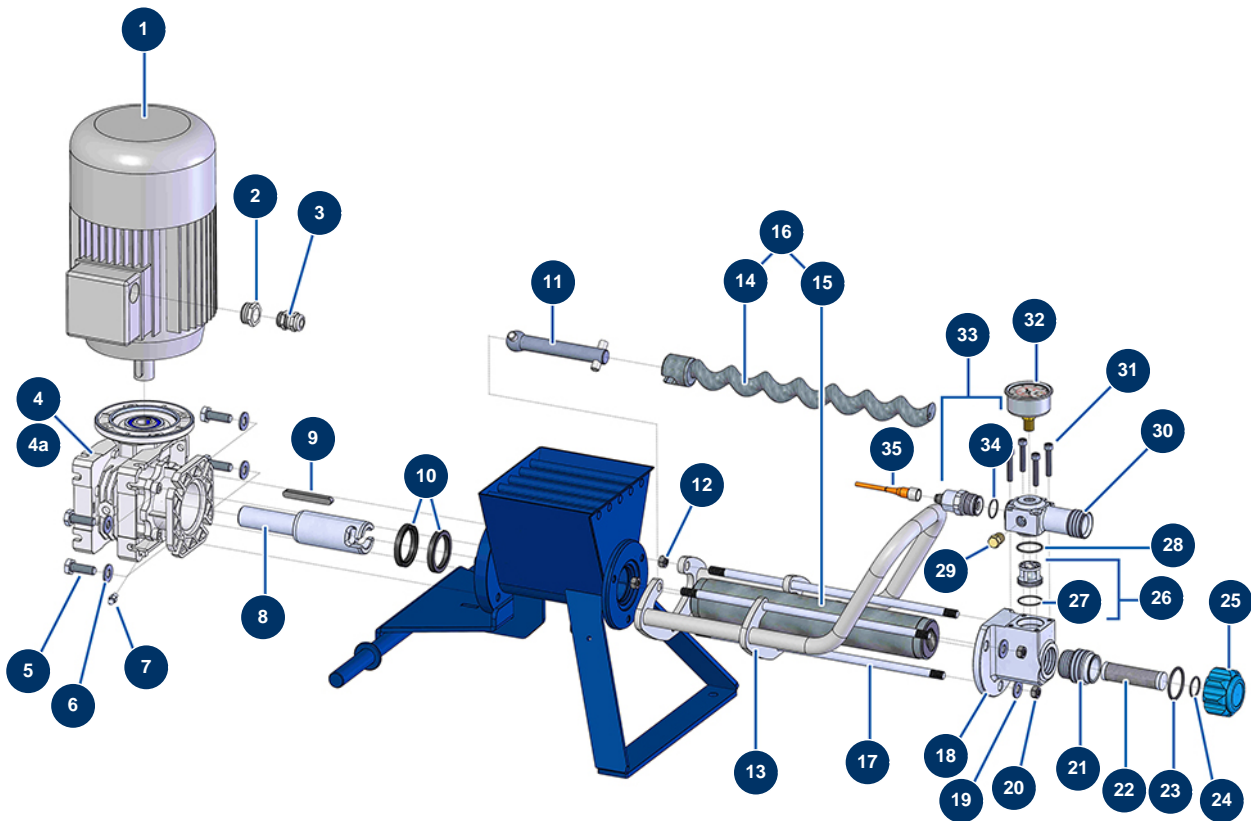
MINIJET 80 complete atomizer - Chassis



Détails des pièces

Pos.	Référence	Désignation
1	80582	Case support spring
2	13978	M10 inox nut
3	80261	ø 10 inox medium washer
4	30145	Ø 40 x 20 M10 stop
5	70031	Drain valve for EUROPRO 4-6-8-14 P, MPE, AG, 7000z, 9000z
6	90281	Ø20 chromed clip
7	80001	Complete wheel 260 shaft of 20 for 6,8,14P, MPE 80 and 200, 7000z, 9000z
8	30330	M 6 Inox cap nut
9	30291	ø 6 large washer
10	90798	M6 x 10 cylindrical head screw - CP 60 cylindrical head screw

MINIJET 80 complete atomizer - Transmission (from 2021)

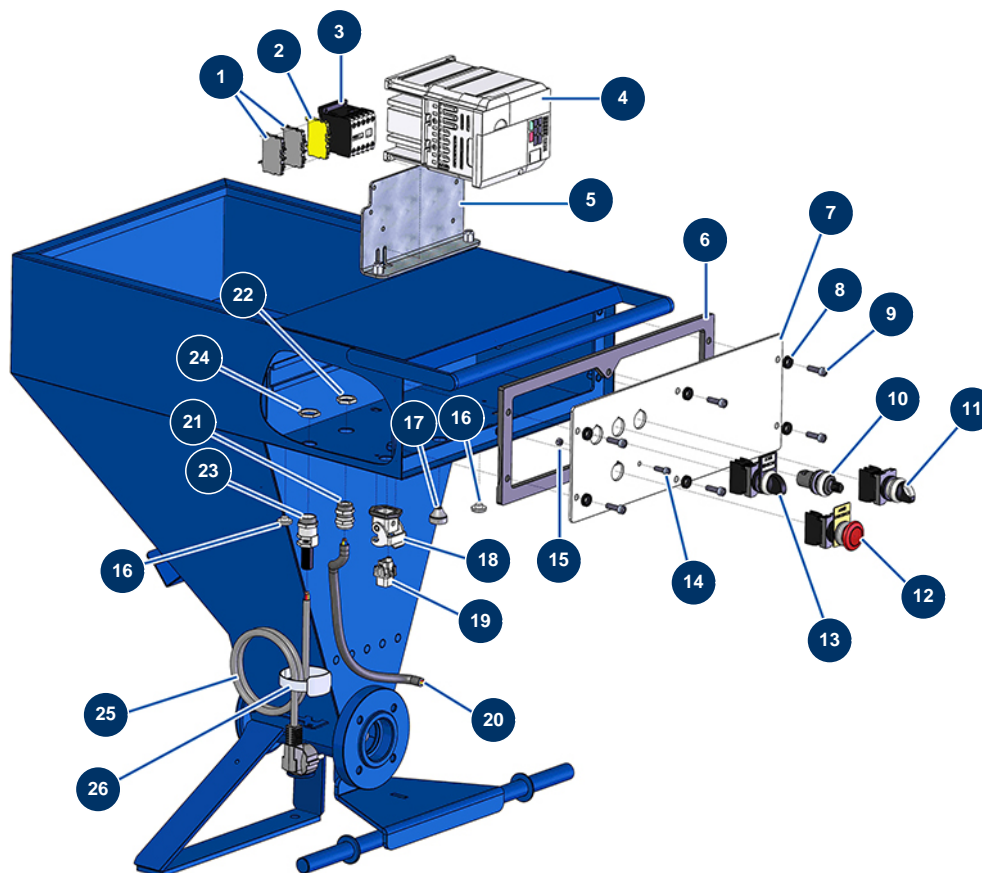


Détails des pièces

Pos.	Référence	Désignation
1	14148	Electric motor 1,5 kW - T90/80 - B14 - 1400 rpm - 400V
2	80446	Cable gland reduction M 25-11
3	30040	Nickel plated watertight cable gland of 11 CEM
4	14498	Speed reducer 90° - T50 - R15 - B14/T90
4a	14915	
5	30257	THEF 10 x 25 screw
6	30280	ø 10 inox narrow washer
7	60012	M6 straight lubricator
8	M10645	Bayonet drive shaft for DROPPRO 8P, MINIJET 80
9	90749	8 x 7 x 65 parallel key with round end for 6P,8P,14P,7000z,9000z
10	70062	Spi seal 40 x 52 x 7 for 4,6,8P, AG, MPE, 7000z, 9000z
11	M10649	Connecting rod for DROPPRO 8P, MINIJET 80
12	13979	M10 flat inox nut

Pos.	Référence	Désignation
13	C22982	DROPPRO & MINIJET pump handle
14	MI7009107500	EUROPRO JET 1 pump rotor with bayonet head
15	MI3F00529800	EUROPRO JET 1 pump stator
16	30542	EUROPRO JET 1 pump rotor/stator kit
17	M10226	Fastening tie rod for JETPRO 80
18	M10727	Stator flange for MINIJET/JETPRO without stainless steel insert
19	80261	ø 10 inox medium washer
20	13978	M10 inox nut
21	M10782	MINIJET/JEPTR0 stator flange insert
22	30667	15 meshes filter for JETPRO spray-gun
23	14863	35 x 3 O-ring
24	14765	22 x 2 O-ring
25	M10781	BLUE filter plug for stainless steel insert
26	14789	Complete ball cage for MINIJET/JETPRO new generation
27	14607	27 x 1,5 O-ring
28	14764	28 x 2 O-ring
29	90842	1/4" high-pressure MaleC plug
30	M10810	Outer threaded high connector 1" for MINIJET/JETPRO flange
31	12567	6 x 35 cylindrical head screw
32	12623	50 mm axial manometer 1/4" conical - 0 to 160 bar
33	14976	250 Bar 4-20mA pressure sensor
34	14863	35 x 3 O-ring
35	12409	M12 straight female connector with 2m cable

MINIJET 80 complete atomizer - Electrical box

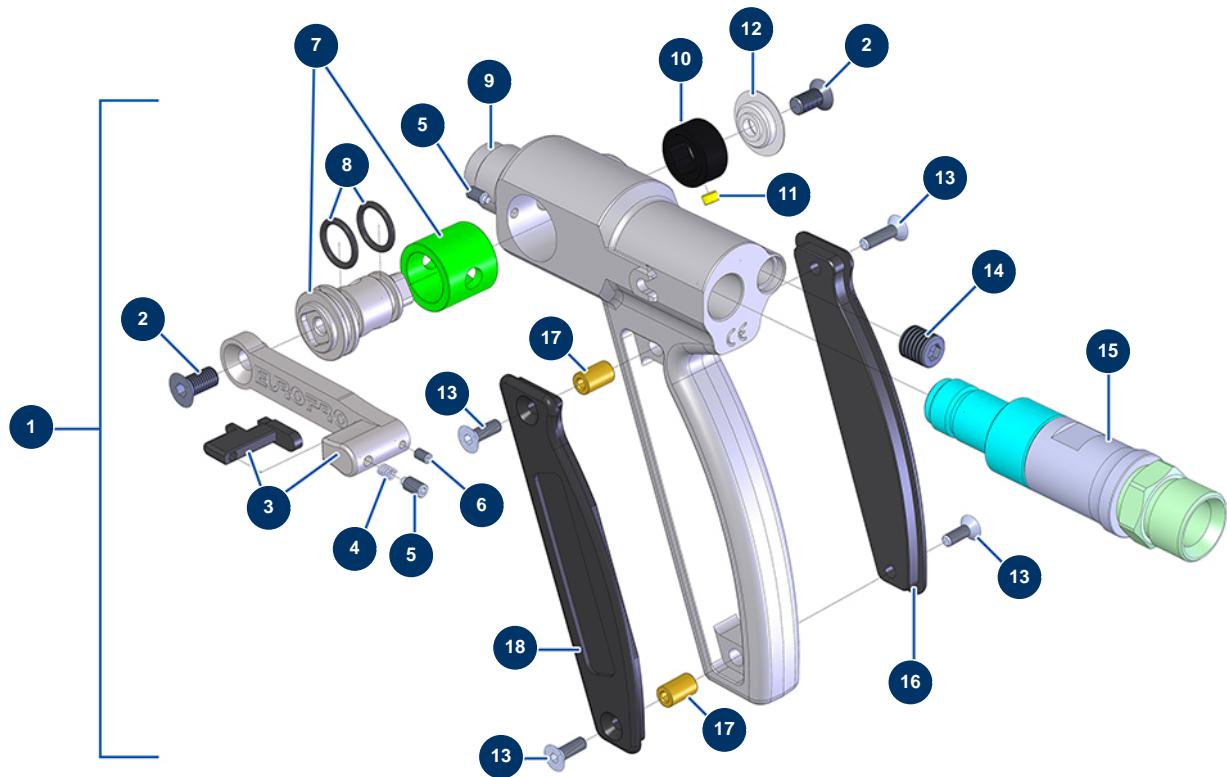


Détails des pièces

Pos.	Référence	Désignation
1	80467	Grey conductor block 4 mm ²
2	30038	Yellow and green conductive block 6 mm ²
3	30011	230 Volt coil switch for sprayer
4	12300	Inverter 230 V - 1,5 kW logical
5	10002	4 & 8 P electronic control support
6	10049	EUROPRO 8 P electrical box gasket
7	10006	8 P electrical junction box holder
8	80573	Hollow washer Ø 6
9	90996	6 x 20 inox cylindrical head screw
10	80645	Spraying machine complete potentiometer from MARCH 2003
11	14180	MINIJET complete MANU-AUTO-REVERSE button
12	90038	Complete EMERGENCY STOP button Ø 22
13	30034	Complete ON button

Pos.	Référence	Désignation
14	90160	5 x 16 cylindrical head screw
15	11880	M 5 nylstop nut
16	80397	Water exhaust cork for electrical box
16	80397	Water exhaust cork for electrical box
17	11564	M 16 grey rubber cable gland
18	11915	Blowing machine insulating support 3 p + T - 1 lever
19	11914	Female insert 4p + G
20	90606	Shielded cable 4 x 1,5 by the metre
21	30040	Nickel plated watertight cable gland of 11 CEM
22	30333	Cable gland locknut of 11 CEM
23	80450	cabl gland for 11mm supply cable
24	30060	11mm cable gland nut
25	90180	Supply cable with moulded plug 3G 1,5 mm ²
26	12411	Self-gripping collar 20 x 330 mm

MINIJET 80 complete atomizer - Spray-gun (from 2021)



Détails des pièces

Pos.	Référence	Désignation
1	14797	New generation MINIJET/JETPRO spray-gun, without nozzle holder & without nozzle
2	12849	6 x 12 countersunk head screw
2	12849	6 x 12 countersunk head screw
3	M07029	JETPRO spray-gun complete trigger
4	13589	Trigger spring for JETPRO spray-gun
5	13598	Countersunk head screw M4 x 8 inox
5	13598	Countersunk head screw M4 x 8 inox
6	12708	3 x 5 stainless steel socket head screw with flat tip
7	14222	Complete flue block/jacket for JETPRO spray-gun
8	11303	12 x 2 o-ring
9	M10290	JETPRO spray-gun body
10	M10240	JETPRO spray-gun detection stop
11	13031	Wireless remote control starting magnet Ø 5 x 3

Pos.	Référence	Désignation
12	M10303	JETPRO spray-gun supported washer
13	13912	4 x 16 countersunk head screw
13	13912	4 x 16 countersunk head screw
13	13912	4 x 16 countersunk head screw
13	13912	4 x 16 countersunk head screw
14	14793	M10 x 100 threaded plug (fine pitch)
15	M07056	Turning connector for JETPRO spray-gun
16	M10239	JETPRO spray-gun handle right cover
17	M10242	Axle for JETPRO spray-gun handle cover
17	M10242	Axle for JETPRO spray-gun handle cover
18	M10238	JETPRO spray-gun handle left cover

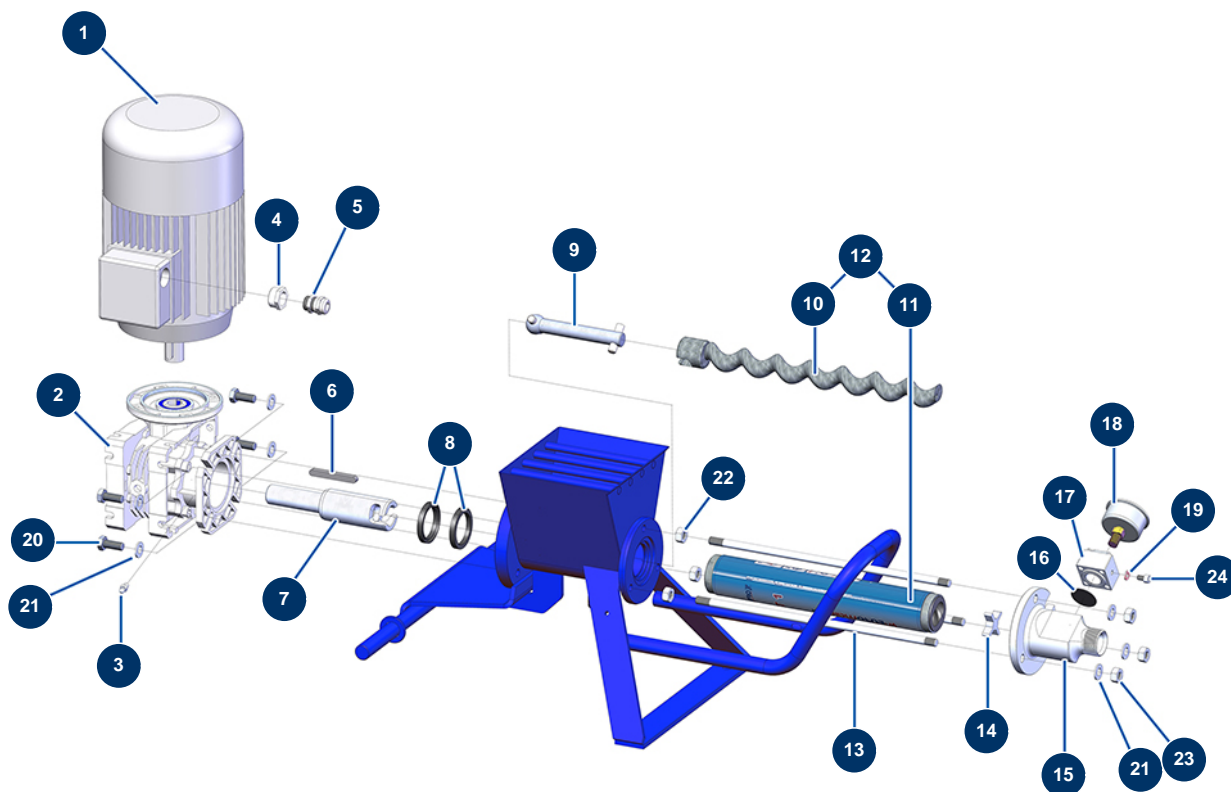
MINIJET 80 complete atomizer - Hose (from 2021)



Détails des pièces

Pos.	Référence	Désignation
1	14801	ø 16 x 10 m product hose, quick couplings F1" x F1/2" MINIJET/JETPRO
2	14799	1" F quick coupling ø 16 corrugated for MINIJET/JETPRO
3	13651	2SC 5/8" black hose ø 16 standard marking
4	14798	1/2 "F quick coupling ø 16 corrugated for MINIJET/JETPRO

MINIJET 80 complete atomizer - Transmission (until 12/2020)

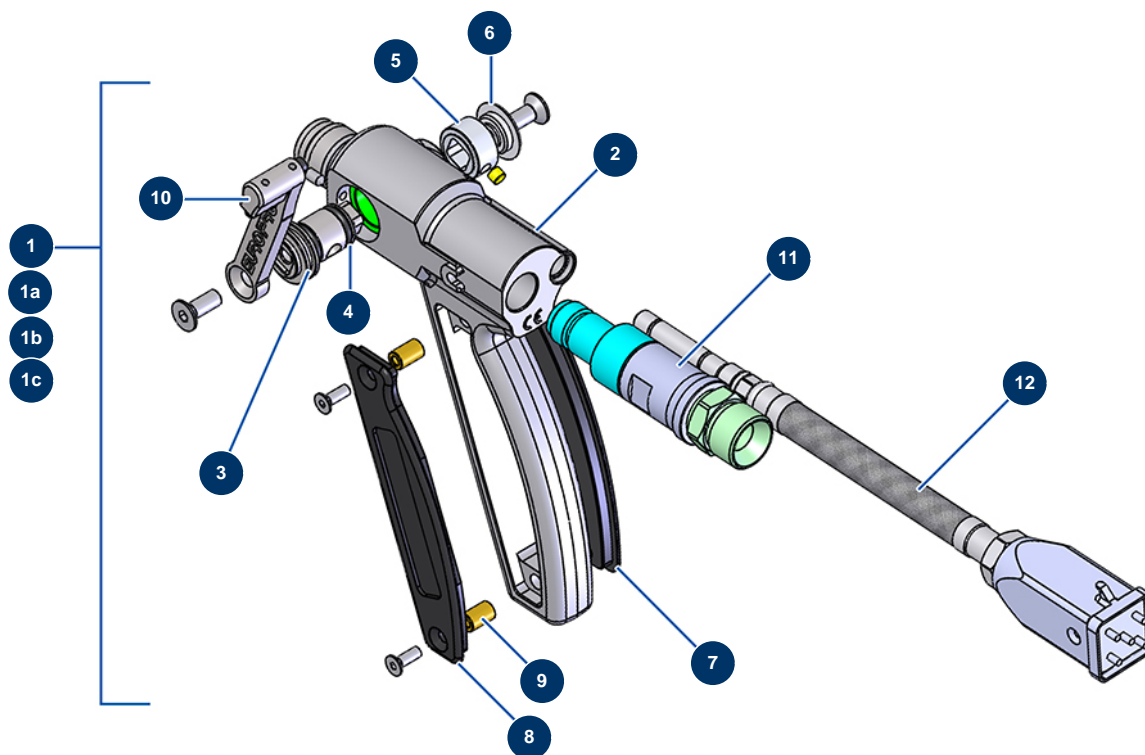


Détails des pièces

Pos.	Référence	Désignation
1	14148	Electric motor 1,5 kW - T90/80 - B14 - 1400 rpm - 400V
2	14498	Speed reducer 90° - T50 - R15 - B14/T90
3	60012	M6 straight lubricator
4	80446	Cable gland reduction M 25-11
5	30040	Nickel plated watertight cable gland of 11 CEM
6	90749	8 x 7 x 65 parallel key with round end for 6P,8P,14P,7000z,9000z
7	M10645	Bayonet drive shaft for DROPPRO 8P, MINIJET 80
8	70062	Spi seal 40 x 52 x 7 for 4,6,8P, AG, MPE, 7000z, 9000z
9	M10649	Connecting rod for DROPPRO 8P, MINIJET 80
10	MI7009107500	EUROPRO JET 1 pump rotor with bayonet head
11	MI3F00529800	EUROPRO JET 1 pump stator
12	30542	EUROPRO JET 1 pump rotor/stator kit
13	M10226	Fastening tie rod for JETPRO 80

Pos.	Référence	Désignation
14	M10772	Ø40 pump head crosspiece
15	M10227	Stator flange for JETPRO 80
16	12913	Pump nose manometer membrane for JETPRO 80, 120, JETBAG 120
17	M10228	Stator flange lid for JETPRO 80
18	12623	50 mm axial manometer 1/4" conical - 0 to 160 bar
19	12765	Copper seal for JETPRO 80 pump nose
20	30257	THEF 10 x 25 screw
21	30280	ø 10 inox narrow washer
21	30280	ø 10 inox narrow washer
22	13979	M10 flat inox nut
23	13978	M10 inox nut
24	90798	M6 x 10 cylindrical head screw - CP 60 cylindrical head screw

MINIJET 80 complete atomizer - Spray-gun (until 12/2020)



Détails des pièces

Pos.	Référence	Désignation
1	13176	Complete inox JETPRO spray-gun without nozzle holder
1a	13168	Complete JETPRO spray-gun, wireless remote control without nozzle holder & nozzle
1b	12549	Complete JETPRO spray-gun without nozzle holder
1c	M07022	JETPRO spray-gun without sensor, nozzle and nozzle holder
2	M10290	JETPRO spray-gun body
3	14222	Complete flue block/jacket for JETPRO spray-gun
4	11303	12 x 2 o-ring
5	M10240	JETPRO spray-gun detection stop
6	M10303	JETPRO spray-gun supported washer
7	M10239	JETPRO spray-gun handle right cover
8	M10238	JETPRO spray-gun handle left cover
9	M10242	Axle for JETPRO spray-gun handle cover
10	M07029	JETPRO spray-gun complete trigger

Pos.	Référence	Désignation
11	M07056	Turning connector for JETPRO spray-gun
12	12766	Complete sensor kit with square plug for JETPRO spray-gun

MINIJET 80 complete atomizer - Extensions and hoses (until 12/2020)



Détails des pièces

Pos.	Référence	Désignation
1	14112	Product hose JETPRO Ø 16 x 10 m F1" x F1/2"
2	14157	Complete 11 m reinforced cable for MINIJET 80 electrical remote control