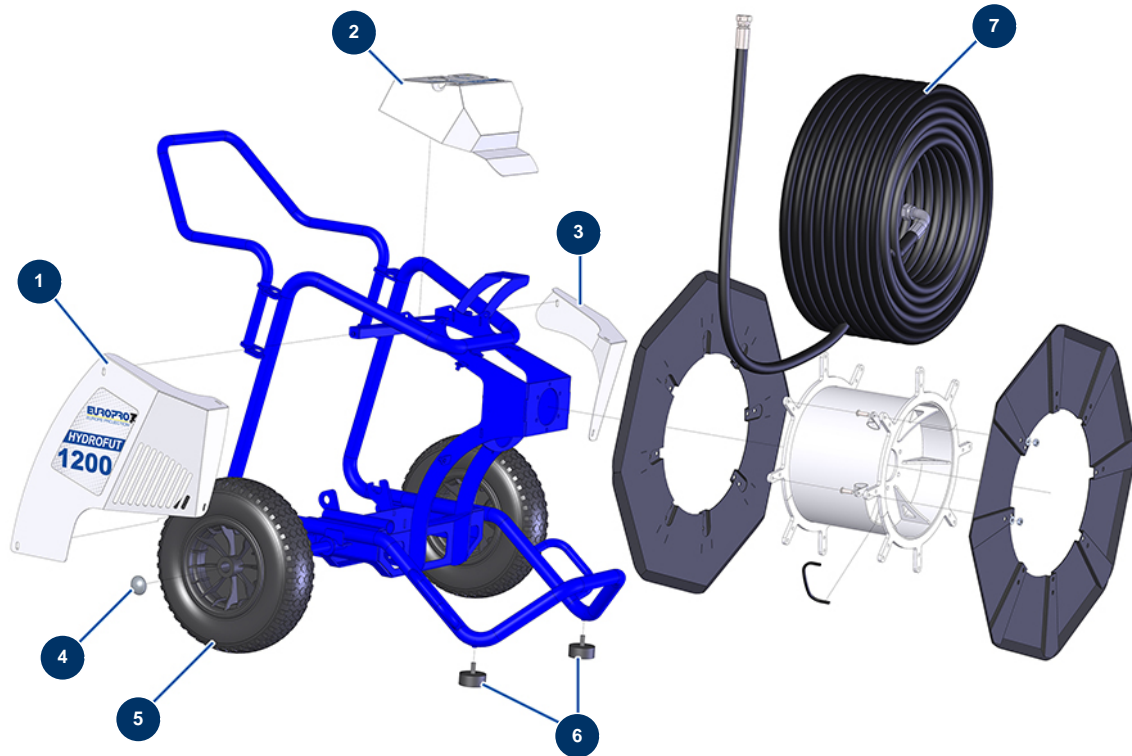


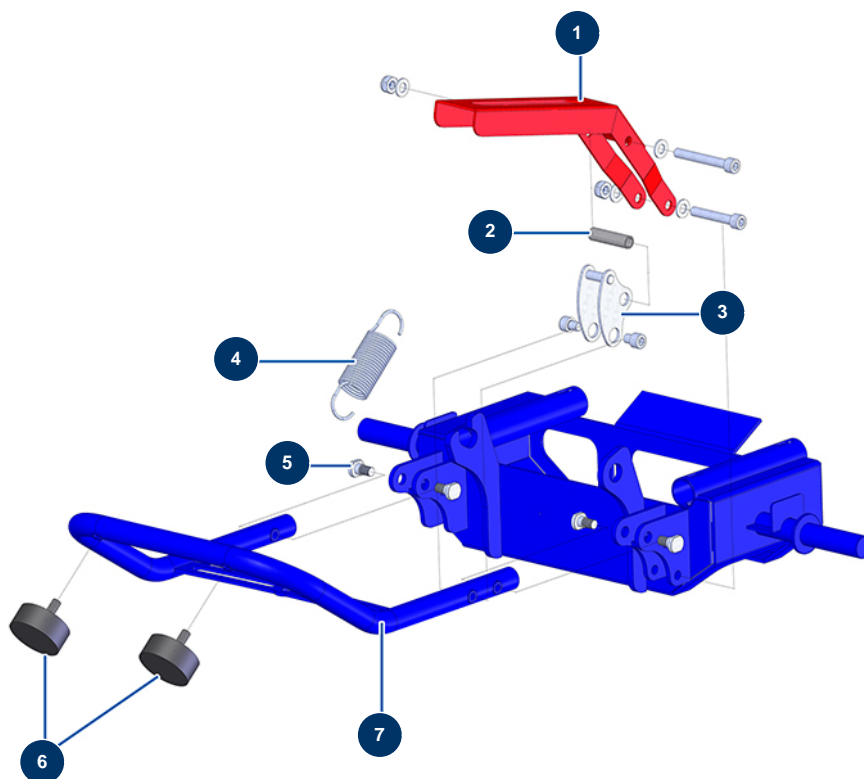
HYDROFUT 1200 HONDA airless piston pump - Chassis



Détails des pièces

Pos.	Référence	Désignation
1	C21777	HYDROFUT 1200 right side cover
2	C21775	HYDROFUT 1200 upper crankcase
3	C21794	HYDROFUT 1200 left side cover
4	90282	Ø25 chromed clip
5	80003	Ø400 complete wheel with shaft of 25 for 100TH, MPE 300
6	90196	Ø 60 x 25 M10 stop
7	14111	7

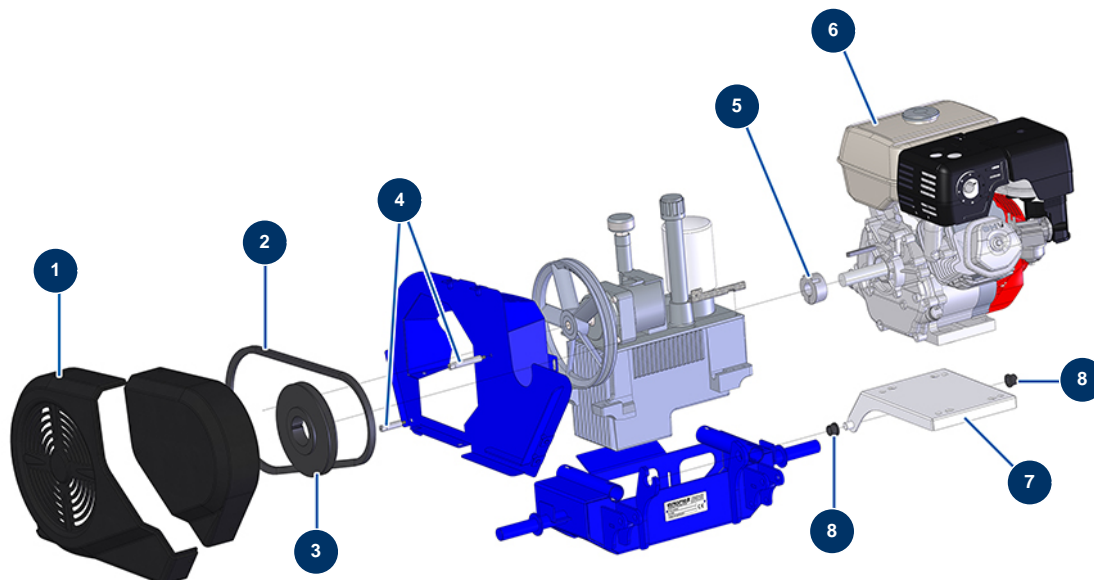
HYDROFUT 1200 HONDA airless piston pump - Support stand



Détails des pièces

Pos.	Référence	Désignation
1	C21784	
2	M20032	
3	C21798	
4	13899	HYDROFUT 1200, E336 spring
5	M10544	
6	90196	Ø 60 x 25 M10 stop
7	C21804	HYDROFUT 1200 stand

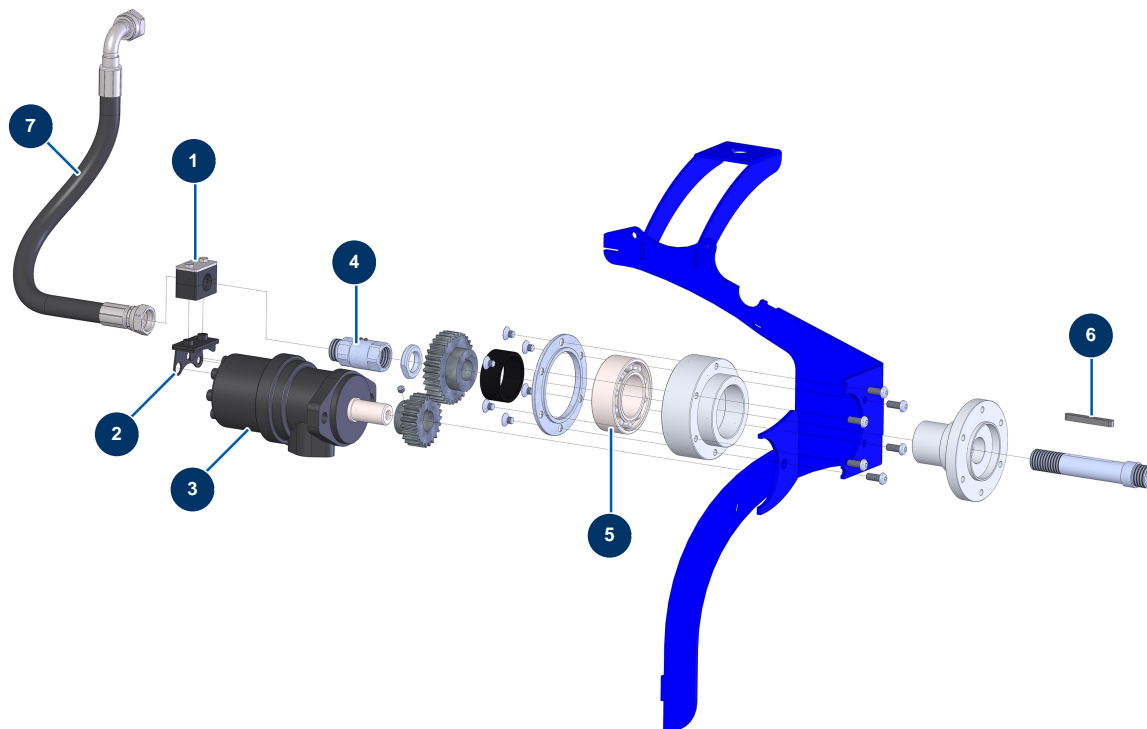
HYDROFUT 1200 HONDA airless piston pump - Motorization



Détails des pièces

Pos.	Référence	Désignation
1	13653	COMPRESSOR E336 complete plastic protection crankcase
2	14224	
3	90554	13 pulley without hub Ø 180
4	M10525	High fastening spacer for HYDROPRO 600 plastic crankcase
5	90558	Removable hub Ø 1" for 1610
6	90618	Petrol motor HONDA GX 270 QX-Q4-OH 9 HP
7	C21802	
8	14227	Bearing with flange 14/20 x 15
8	14227	Bearing with flange 14/20 x 15

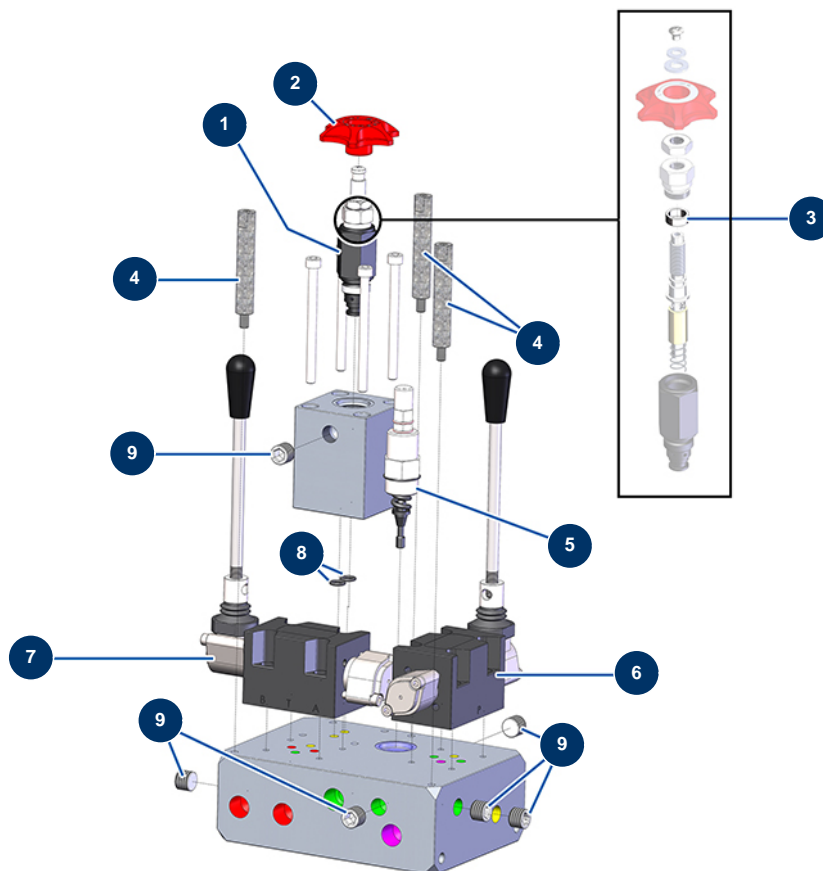
HYDROFUT 1200 HONDA airless piston pump - Transmission



Détails des pièces

Pos.	Référence	Désignation
1	13150	1
2	C22387	
3	12403	Hydraulic motor BMR 250 mixer - CP 60
4	M07047	HYDROFUT 1200 product inlet revolving coupling
5	13824	
6	90749	8 x 7 x 65 parallel key with round end for 6P,8P,14P,7000z,9000z
7	14258	

HYDROFUT 1200 HONDA airless piston pump - Servo drive

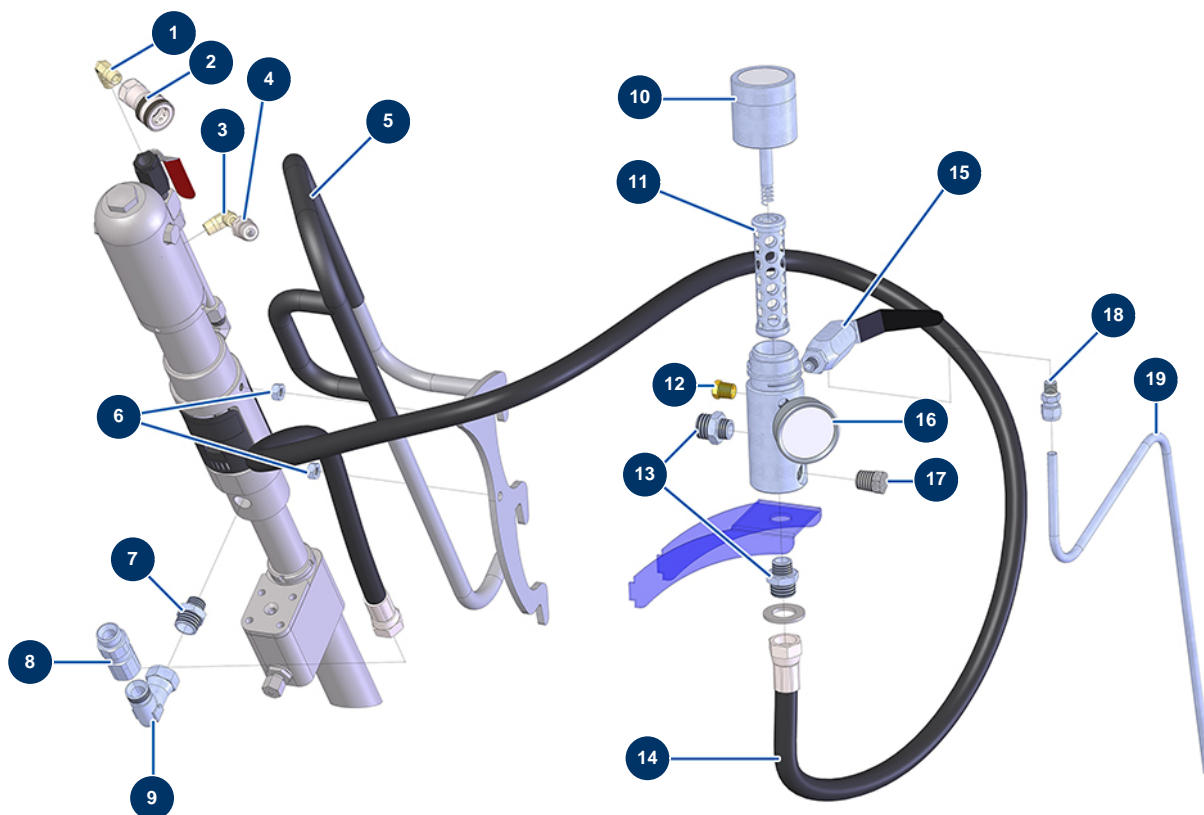


Détails des pièces

Pos.	Référence	Désignation
1	13143	Hopper cartridge 20L/min equalised flow limiter - C.P 60
2	M10231	Wheel for needle valve MIXPRO 14
3	M10573	
4	M10525	High fastening spacer for HYDROPRO 600 plastic crankcase
4	M10525	High fastening spacer for HYDROPRO 600 plastic crankcase
5	13020	Cylinder pressure limiter - CP 60
6	12583	Mixer motor manual control distributor - C.P 60
7	12331	7
8	80285	7 x 2 VITON O-ring
9	12576	1/4" MaleC Male high-pressure headless plug
9	12576	1/4" MaleC Male high-pressure headless plug
9	12576	1/4" MaleC Male high-pressure headless plug

Pos.	Référence	Désignation
6	90698	3/8" MaleD x 3/8" MaleD high-pressure nipple
6	90698	3/8" MaleD x 3/8" MaleD high-pressure nipple
7	91033	3/8 drilled head screw
7	91033	3/8 drilled head screw
7	91033	3/8 drilled head screw
8	C21806	
9	C21808	
10	12403	Hydraulic motor BMR 250 mixer - CP 60
11	91030	1/2 copper gasket for hollow screw
11	91030	1/2 copper gasket for hollow screw
12	12895	3/8" FemaleD x 1/2" MaleD high-pressure nipple
12	12895	3/8" FemaleD x 1/2" MaleD high-pressure nipple
12	12895	3/8" FemaleD x 1/2" MaleD high-pressure nipple
13	13820	Hydrofut 1200 hydraulic return flexible hose
14	13819	

HYDROFUT 1200 HONDA airless piston pump - Product circuit



Détails des pièces

Pos.	Référence	Désignation
1	80615	3/8" MaleC x 3/8" MaleC high-pressure elbow
2	14188	
3	80615	3/8" MaleC x 3/8" MaleC high-pressure elbow
4	14189	
5	C21781	5
6	90453	M 10 nut
7	14234	3/4" MBSP x 1/2" MGCO Inox high-pressure nipple
8	M07051	HYDROFUT 1200 pump outlet revolving coupling
9	14235	3/4" MBSP x 3/4" FBSP Inox high-pressure elbow
10	W0290443A	HC filter cap
11	W930-004	0 meshes pump filter
12	80607	3/8" high-pressure MaleC plug
13	13827	ø 20 x 1/2 MG 315 bar union coupling

Pos.	Référence	Désignation
14	14195	14
15	W944-030A	HC discharge valve
16	W600-270	0-350 bar 1/4 NPT manometer
17	13823	1/2" high-pressure MNPT conical plug
18	13828	∅ 10 x 1/4 MNPT 315 bar union coupling
19	C21828	