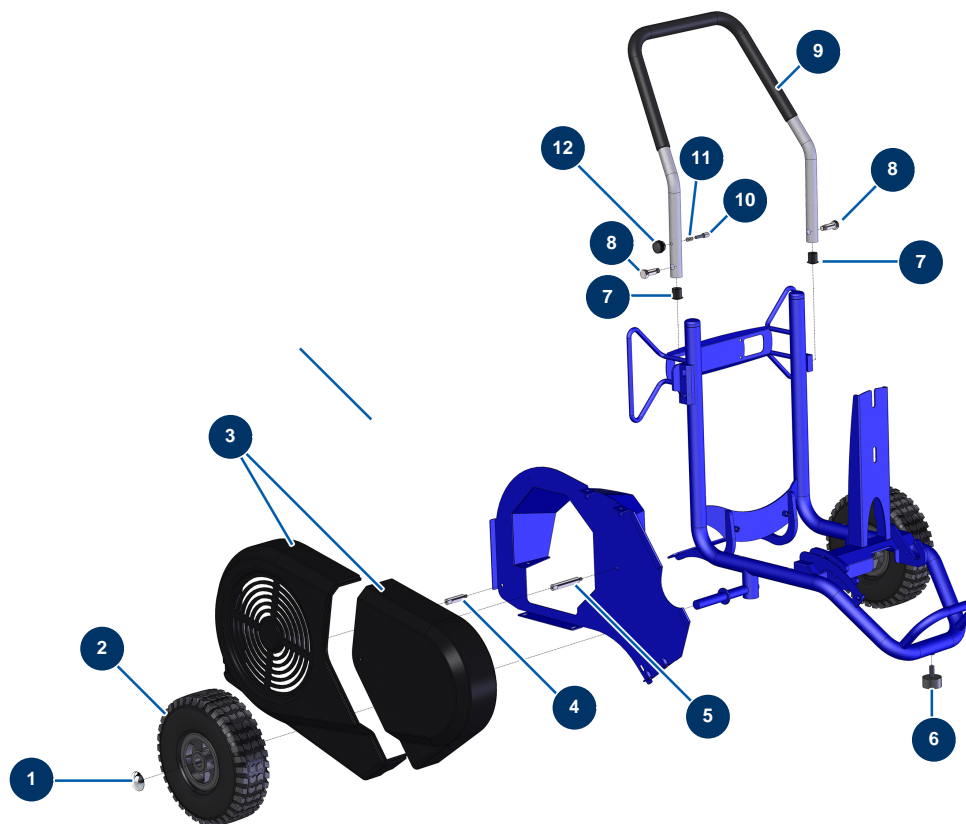


HYDROPRO 600 E airless piston pump - General view

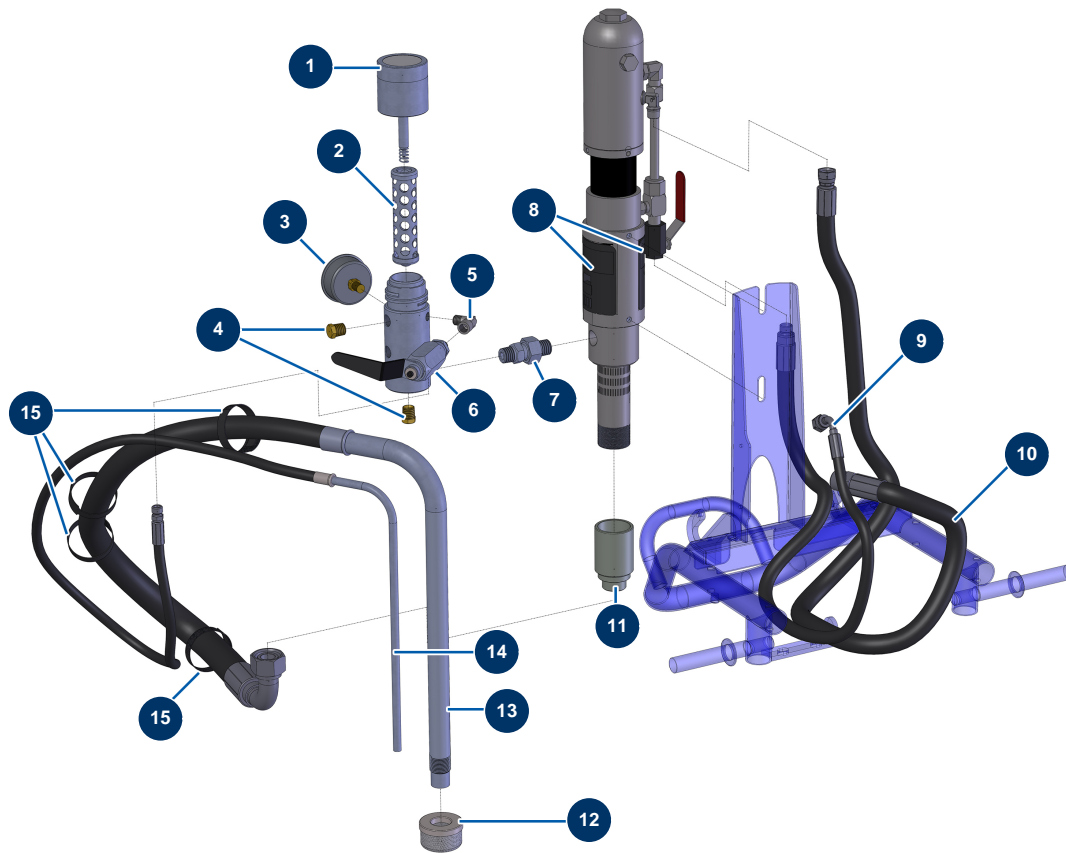


Détails des pièces

Pos.	Référence	Désignation
1	90281	Ø20 chromed clip
2	80001	Complete wheel 260 shaft of 20 for 6,8,14P, MPE 80 and 200, 7000z, 9000z
3	13654	HYDROPRO 600 complet plastic crankcase
4	M10524	Short fastening spacer for HYDROPRO 600 plastic crankcase
5	M10525	High fastening spacer for HYDROPRO 600 plastic crankcase
6	30145	Ø 40 x 20 M10 stop
7	90870	Black plastic end cap for ø 25 round tube
7	90870	Black plastic end cap for ø 25 round tube
8	30360	EUROPRO 30+,36 and 40 compressor arm screw
8	30360	EUROPRO 30+,36 and 40 compressor arm screw
9	C21635	E336 compressor version 2 arm
10	90179	EUROPRO 30+,36 and 40 compressor arm latch
11	60040	Compressor trigger spring

Pos.	Référence	Désignation
12	20001	EUROPRO 30+,36 and 40 compressor arm button

HYDROPRO 600 E airless piston pump - Pump

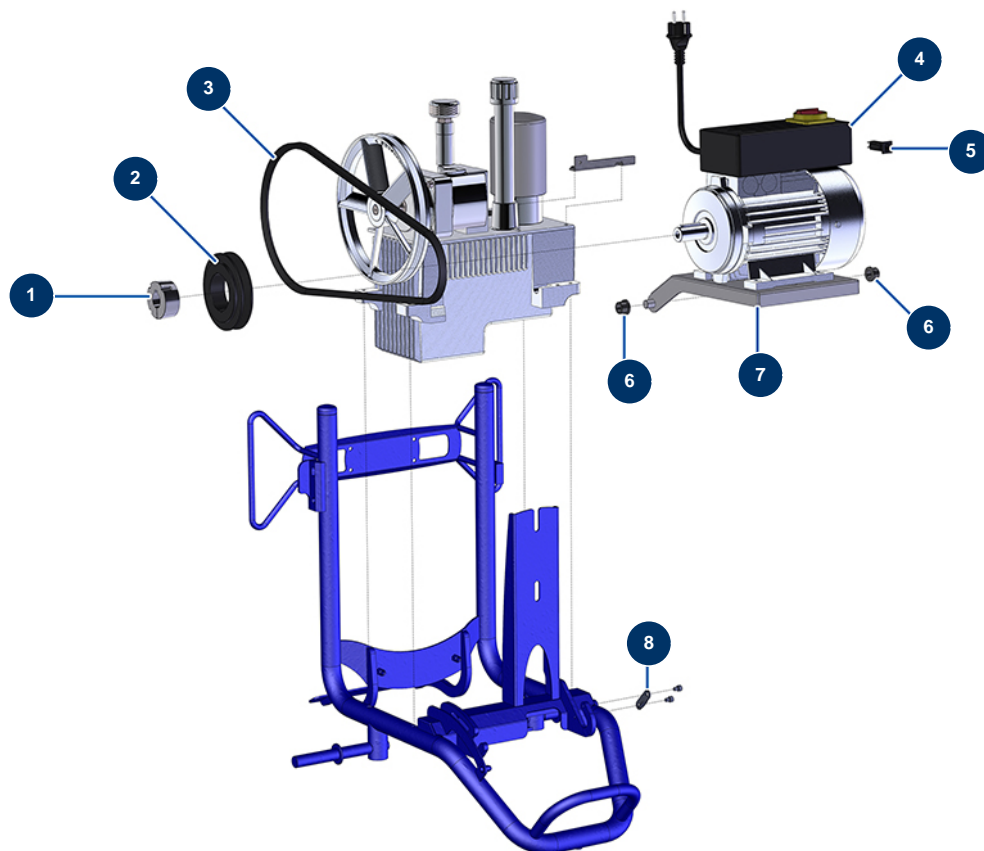


Détails des pièces

Pos.	Référence	Désignation
1	W930-937A	Body cover
2	15230	5-mesh HYDROLINE pump filter
3	80070	Axial manometer 1/4" conical oil 50 mm 0 to 60 bar
4	80607	3/8" high-pressure MaleC plug
5	30121	90° low-pressure elbow 1/4 MaleC x 1/4 FemaleD
6	W944-030A	HC discharge valve
7	Nous consulter	7
8	W349473	8
9	13772	HYDROPRO 600 supply flexible hose
10	13773	HYDROPRO 600 return hose
11	40054	HDROPRO 600 pump lower
12	40051	Suction strainer 3/4"F 10 meshes
13	13794	HYDROPRO 600 suction rod

Pos.	Référence	Désignation
14	13795	HYDROPRO 600 return rod
15	12411	Self-gripping collar 20 x 330 mm
15	12411	Self-gripping collar 20 x 330 mm

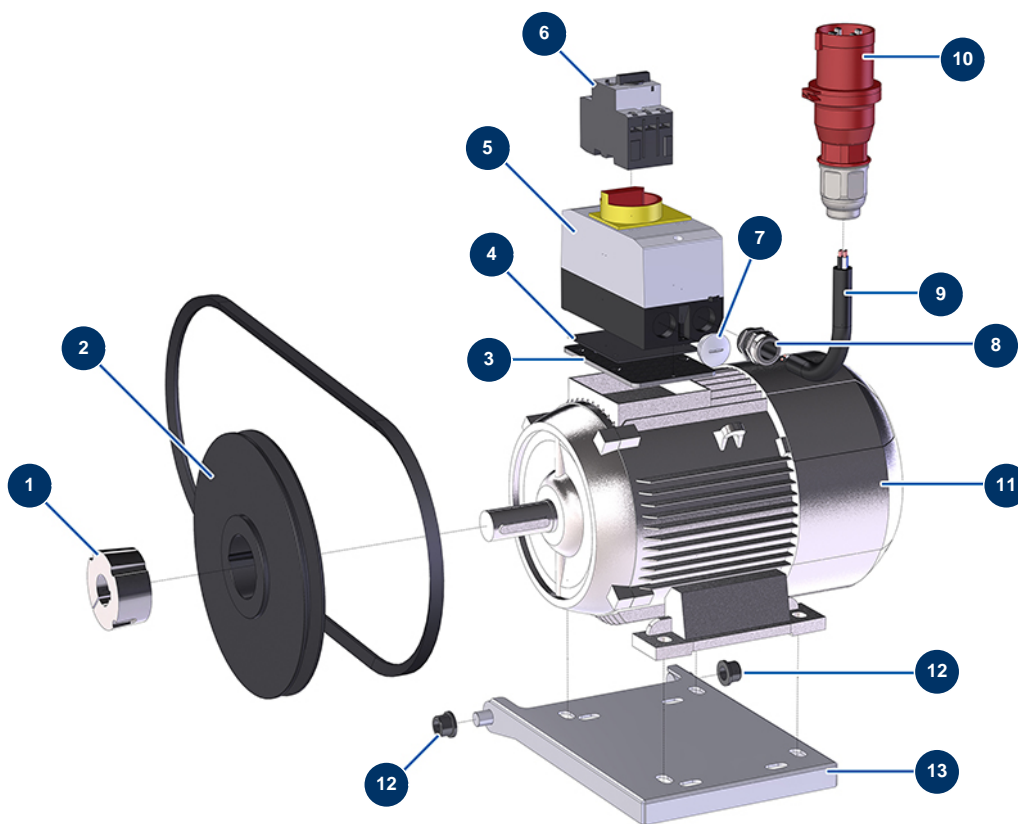
HYDROPRO 600 E airless piston pump - 2,2 kW electrical motor



Détails des pièces

Pos.	Référence	Désignation
1	90195	Removable hub Ø 24 for 1610
2	30373	13 pulley without hub ø 118
3	13699	V-belt 13 XPA 1300 HYDROPRO 600
4	30159	Foot mounted electric motor 2,2 kW - T90 - B3 - 1400 rpm - 230V
5	30090	16 A squared petrol motor circuit breaker
6	14227	Bearing with flange 14/20 x 15
6	14227	Bearing with flange 14/20 x 15
7	C21684	HYDROPRO 600 electric motor plate
8	C21628	E336 compressor version 2 non-return plate

HYDROPRO 600 E airless piston pump - 5,5 kW - 400 V electrical motor conversion kit

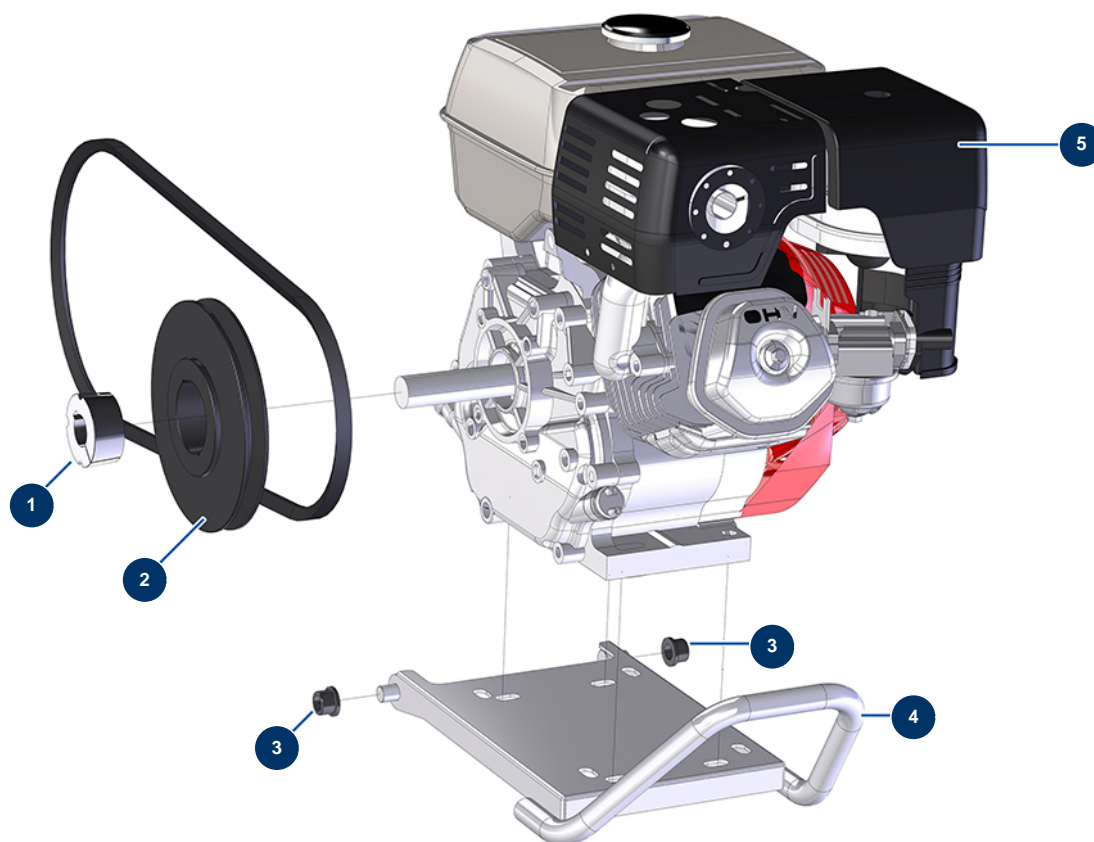


Détails des pièces

Pos.	Référence	Désignation
1	90561	Removable hub Ø 28 for 2012
2	13918	13 pulley without hub ø 236
3	11630	Moeller box new fixing plate
4	90269	EUROPRO 30,30+,36 and 40 compressor box gasket
5	30110	EUROPRO compressor vacuum switch box
6	30064	10 to 16 petrol motor circuit-breaker
7	80600	Electrical button for plastic IM 25
8	80449	Watertight cable gland of M 25
9	30019	H07RNF 4G2.5 electrical cable by the metre
10	12134	Male D electric socket 3P + T 16A with phase inverter
11	90025	Foot mounted electric motor 5,5 kW - T112 - B3 - 2800 rpm - 400V
12	14227	Bearing with flange 14/20 x 15
12	14227	Bearing with flange 14/20 x 15

Pos.	Référence	Désignation
13	C21684	HYDROPRO 600 electric motor plate

HYDROPRO 600 E airless piston pump - 9 HP petrol motor conversion kit



Détails des pièces

Pos.	Référence	Désignation
1	90558	Removable hub Ø 1" for 1610
2	90554	13 pulley without hub Ø 180
3	14227	Bearing with flange 14/20 x 15
3	14227	Bearing with flange 14/20 x 15
4	C21684	HYDROPRO 600 electric motor plate
5	90618	Petrol motor HONDA GX 270 QX-Q4-OH 9 HP