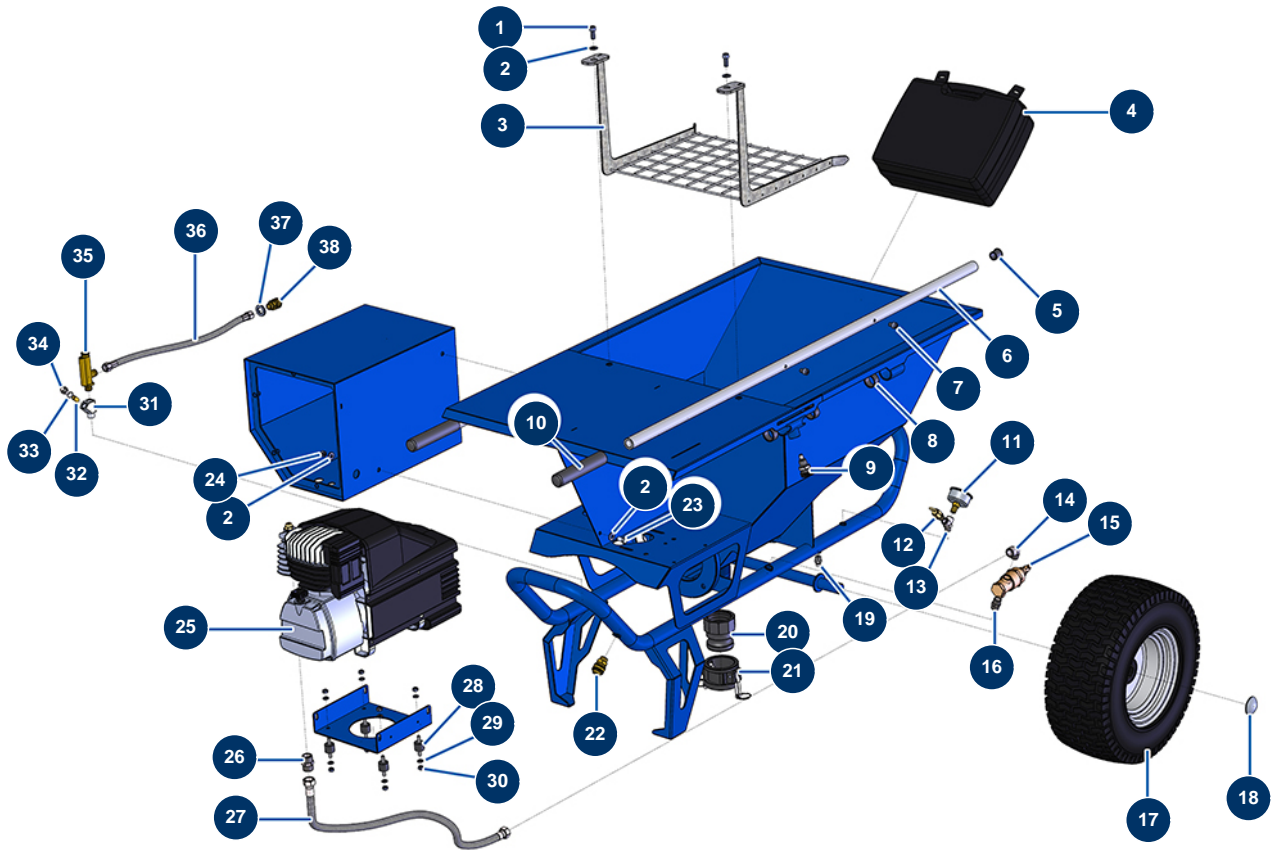


COMPACT-PRO 30 CLASSIC spraying machine - Chassis

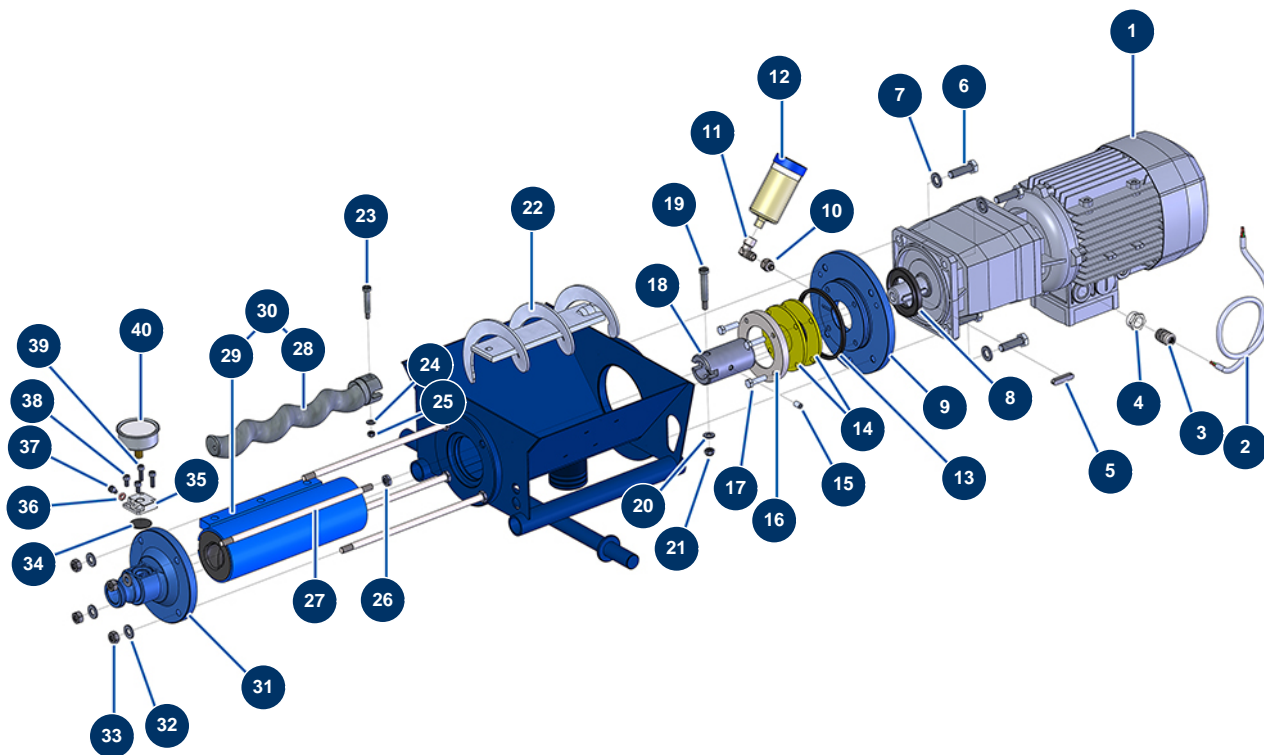


Détails des pièces

Pos.	Référence	Désignation
1	80470	8 x 20 cylindrical head screw
2	80260	ø 8 inox medium washer
2	80260	ø 8 inox medium washer
2	80260	ø 8 inox medium washer
3	11379	COMPACT-PRO 30, 35, 40 & 50 machine safety grid
4	30808	Carry case for mortar traditional spray lance
5	90870	Black plastic end cap for ø 25 round tube
6	C21327	COMPACT-PRO 30 to 55 machine arm from March 2020
7	90151	8 x 10 cylindrical head screw
8	13453	Cylindrical bearing 26/30 x 16
9	15010	Complete indexing pin for arm
10	90255	Arm handle for EUROPRO 24P, E50 and E100
11	80028	1/4 conical axial manometer - 50mm - 0 to 20 bar

Pos.	Référence	Désignation
12	80097	1/4" certified outer threaded safety valve 11 bar
13	30123	Low pressure Y - M1/4" x F1/4" x F1/4"
14	30120	Elbow BP 90° 3/8 MaleC x 3/8 FemaleD
15	101015	3/8" emptying autonomous valve
16	30367	3/8" MaleC x 3/8" MaleC low-pressure nipple
17	80372	Complete Ø410 wheel with bearing - axle of 25
18	90282	Ø25 chromed clip
19	30133	1/4" male compressor tank purge
20	11396	POLYPRO 2" inner threaded adapter for COMPACT-PRO 30
21	11397	POLYPRO 2" female plug with cams for COMPACT-PRO 30
22	70034	3/8" outer threaded female quick connector
23	30295	THEF 8 x 16 screw
24	13980	M 8 nylstop inox nut
25	80454	EUROPRO 27 compression head
26	30369	1/2" MaleC x 1/2" MaleC low-pressure nipple
27	11341	COMPACT-PRO 30 & 40 compressor outlet air hose
28	30147	Silentbloc ø 20 x 15 M6 for Compact-pro 30
29	70087	ø 6 inox narrow washer
30	14217	M 6 nylstop inox nut
31	M10322	Filter body for spraying machine
32	12502	50 meshes hopper filter
33	1032095	O-ring 12,42 x 1,78
34	M10323	Spraying machine filter body plug
35	30005	Flowmeter for EUROPRO 4-6-8-14 and 24 P
36	11340	MORTAR machine flow meter air hose
37	30288	ø 16 inox narrow washer
38	70035	3/8" inner threaded female quick fit coupling

COMPACT-PRO 30 CLASSIC spraying machine - Transmission

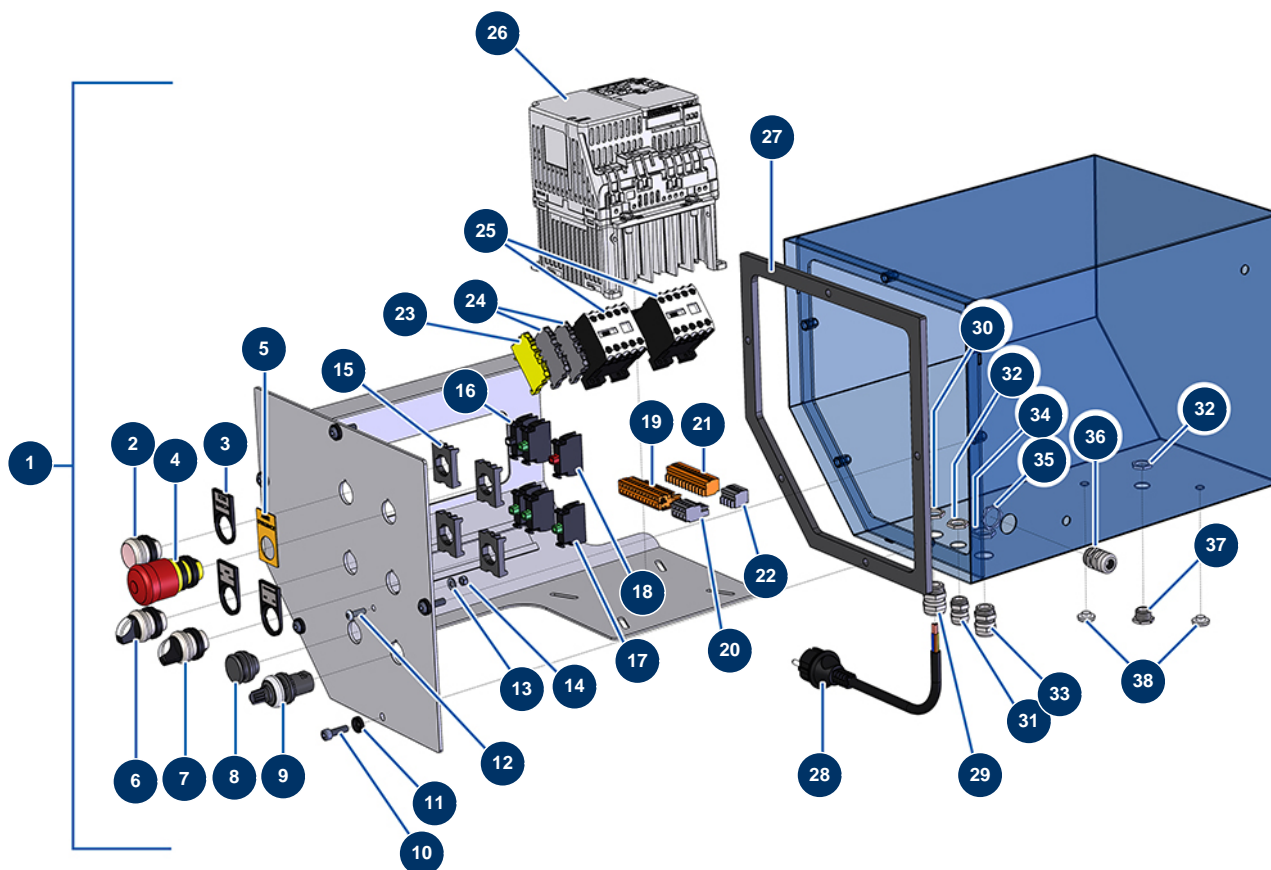


Détails des pièces

Pos.	Référence	Désignation
1	10895	Geared motor 2,2 kW - T322 - R14 - 1400 rpm - 400V
2	90606	Shielded cable 4 x 1,5 by the metre
3	30040	Nickel plated watertight cable gland of 11 CEM
4	80446	Cable gland reduction M 25-11
5	11999	8 x 7 x 40 parallel key with round end
6	12928	THEF 12 x 40 screw
7	30281	ø 12 inox narrow washer
8	70107	Spi seal 50 x 80 x 8 for 24P,24PT, MPE300, COMPACT-PRO 30
9	11334	Motor spacer flange for COMPACT-PRO
10	10899	1/8" MaleD x 1/4" FemaleD low-pressure nipple
11	30121	90° low-pressure elbow 1/4 MaleC x 1/4 FemaleD
12	90639	Automatic greaser
13	11337	COMPACT-PRO 30 4-lobes seal for motor spacer flange

Pos.	Référence	Désignation
14	11300	COMPACT-PRO 30 tank base gasket
15	11360	Socket head screw M 8 x 16
16	M10190	COMPACT-PRO 30 gasket support ring
17	11544	THEF 8 x 25 screw
18	11336	Drive shaft for CP 20, 30 & 40
19	11359	CP 30 transmission shaft screw pin
20	80260	ø 8 inox medium washer
21	13980	M 8 nylstop inox nut
22	11357	CP 30 to 50 connecting rod
23	90520	CP 30 rotor screw pin
24	80259	Ø 6 medium washer
25	14217	M 6 nylstop inox nut
26	13979	M10 flat inox nut
27	60010	Fastening tie rod for MAP 5/6
28	LI7009107300	28
29	MI3F00529400	EUROPRO MAP 6 D8-1,5 adjustable pump stator
30	30446	EUROPRO MAP 6 pump rotor/stator kit
31	90125	EUROPRO 24 P and COMPACT-PRO 30 stator flange
32	80261	ø 10 inox medium washer
33	13978	M10 inox nut
34	12913	Pump nose manometer membrane for JETPRO 80, 120, JETBAG 120
35	M10079	MIXPRO 14 cage cover
36	12765	Copper seal for JETPRO 80 pump nose
37	90157	M6 x 16 cylindrical head screw - CP 60
38	12112	6 x 12 cylindrical head screw
39	90996	6 x 20 inox cylindrical head screw
40	80070	Axial manometer 1/4" conical oil 50 mm 0 to 60 bar

COMPACT-PRO 30 CLASSIC spraying machine - Electrical box

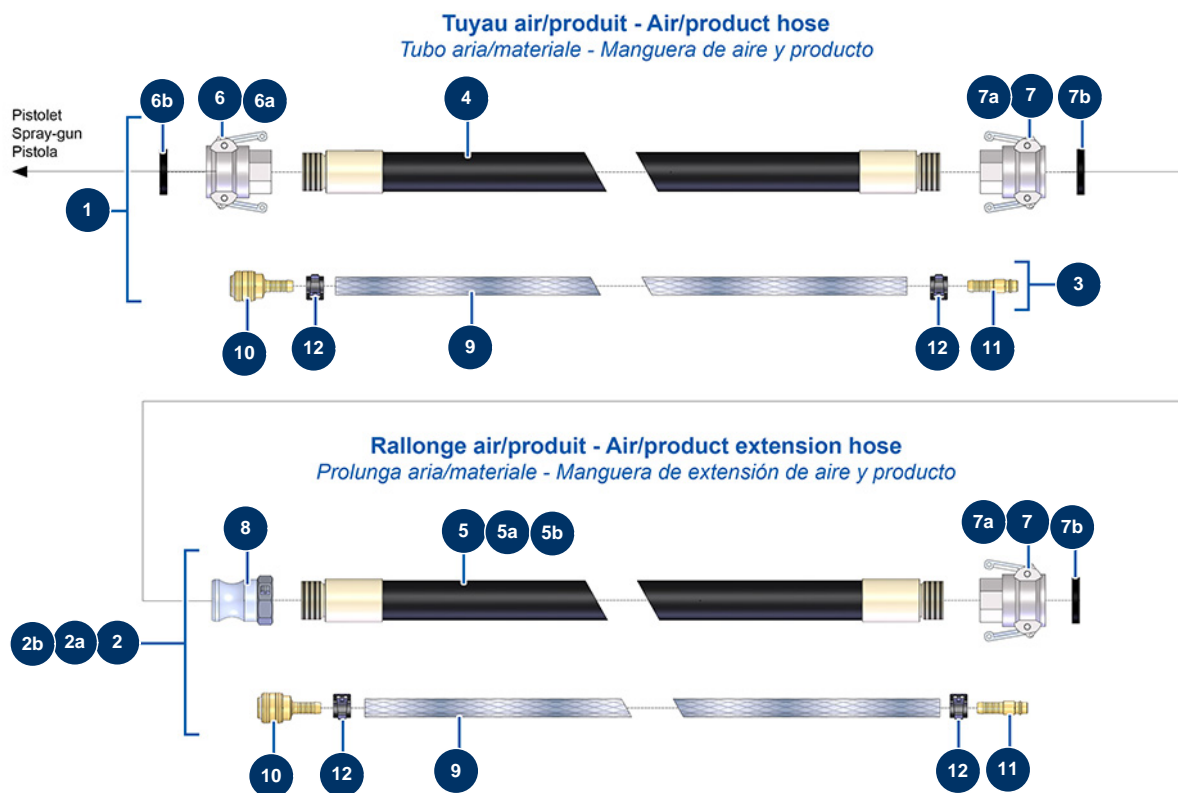


Détails des pièces

Pos.	Référence	Désignation
1	13451	Complete buttons electrical box for COMPACT-PRO 30 & 35
2	30035	Impulse transparent indicator button
3	30362	Label holder
4	90727	Hook emergency stop button - CP 60
5	90016	Square EMERGENCY STOP label
6	90731	3-position button
7	30025	2-position button
8	12022	Box door shutter button
9	80645	Spraying machine complete potentiometer from MARCH 2003
10	90996	6 x 20 inox cylindrical head screw
11	80573	Hollow washer Ø 6
12	11735	Inox mushroom head screw M 5 x 16
13	11737	ø 5 inox medium washer

Pos.	Référence	Désignation
14	11880	M 5 nylstop nut
15	30036	3-contact U-bolt
16	30058	220 Volt neon bulb
17	30028	Green single closed contact
18	30356	Red single open contact
19	11771	12 pins male connector
20	12754	4-pin male connector
21	11772	12 pins female connector
22	12755	4-pin female connector
23	30038	Yellow and green conductive block 6 mm ²
24	80482	Grey conductor block 6 mm ²
25	11918	Coil contactor 24 Volt AC
26	80459	Inverter 230 V - 2.2 KW
27	11361	EUROPRO COMPACT-PRO 30 electric box gasket
28	90214	Power cable with molded plug 3G 2,5 mm ²
29	30332	13mm nickel plated sealed cable gland
30	30054	Cable gland locknut of 13
31	80445	Watertight cable gland of M16
32	11327	Cable gland locknut of M16
32	11327	Cable gland locknut of M16
33	30040	Nickel plated watertight cable gland of 11 CEM
34	30333	Cable gland locknut of 11 CEM
35	30060	11mm cable gland nut
36	30082	Nickel plated watertight cable gland of 11
37	80442	Electric plug for IM 16
38	80397	Water exhaust cork for electrical box

COMPACT-PRO 30 CLASSIC spraying machine - Hoses and extensions

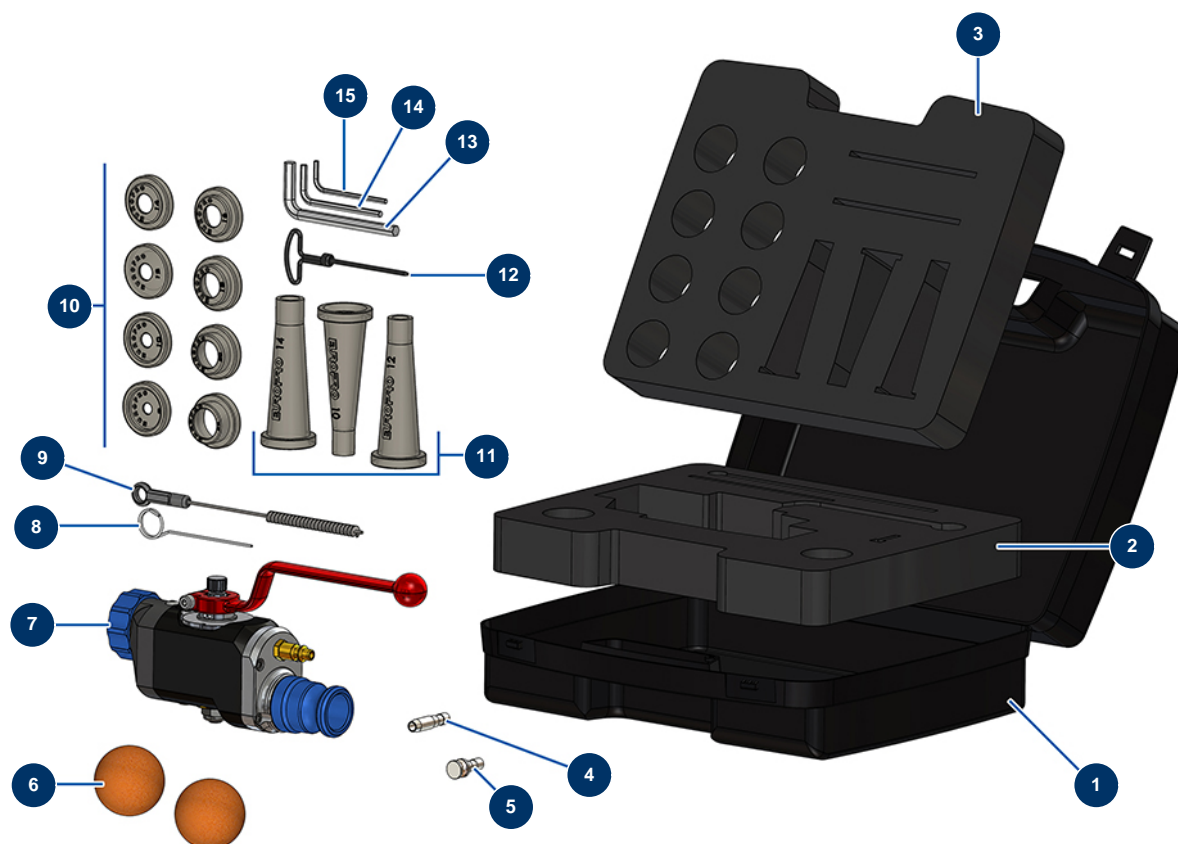


Détails des pièces

Pos.	Référence	Désignation
1	30143	ø 32 x 10 metres air product hose 24 P
2	12039	Air-product extension Ø35 x 10 m
2a	12170	Air-product extension Ø35 x 15 m
2b	12077	Air-product extension Ø35 x 20 m
3	91064	Complete air hose for lance 11,15 m 14P and 24P
4	50015	Ø32 x 10 m product hose outer threaded 1" x 1"1/4
5	11977	Product hose ø 35 x 10 m threaded 1"1/4
5a	11978	Product hose Ø35 x 15 m outer threaded 1"1/4
5b	11979	Product hose Ø35 x 20 m outer threaded 1"1/4
6	70007	1" camlock alu coupling, inner threaded 1" for 6, 8, 14 & 24P
6a	90689	1" cam coupler
6b	70014	1" cam coupler gasket
7	70006	1"1/4 camlock alu coupling, inner threaded 1"1/4 for 24P

Pos.	Référence	Désignation
7	70006	1"1/4 camlock alu coupling, inner threaded 1"1/4 for 24P
7a	90691	1"1/4 cam coupler
7a	90691	1"1/4 cam coupler
7b	70015	1"1/4 cam coupler gasket
7b	70015	1"1/4 cam coupler gasket
8	70012	1"1/4 inner threaded adapter for 24P
9	50003	Clear braided PVC hose Ø 10 x 16 by the metre
9	50003	Clear braided PVC hose Ø 10 x 16 by the metre
10	70004	Female quick fit coupling with corrugated shank of 9
10	70004	Female quick fit coupling with corrugated shank of 9
11	70018	Corrugate male quick fit coupling of 9
11	70018	Corrugate male quick fit coupling of 9
12	12218	Spring collar Ø 15
12	12218	Spring collar Ø 15
12	12218	Spring collar Ø 15
12	12218	Spring collar Ø 15

COMPACT-PRO 30 CLASSIC spraying machine - Spraying lance



Détails des pièces

Pos.	Référence	Désignation
1	80168	Empty case for spray-gun
2	11878	C.P case lower wedging foam-rubber
3	11879	C.P case upper wedging foam-rubber
4	11814	Air injector tube for mortar lance
5	11815	Air plug for mortar lance
6	90566	Cleaning ball Ø 50
7	12274	ABS mortar spray lance 1" coupling
8	1001017	Un-blocking pin
9	1022035	Cleaning brush
10	11760	Set of spray nozzles Ø 8, 10, 12, 14, 16, 18, 20, 22 - C.P
11	11759	Set of grouting nozzles Ø 10, 12, 14
12	90605	Tube brush
13	101013	7mm Allen key

Pos.	Référence	Désignation
14	13050	4mm Allen key
15	11175	3mm Allen key