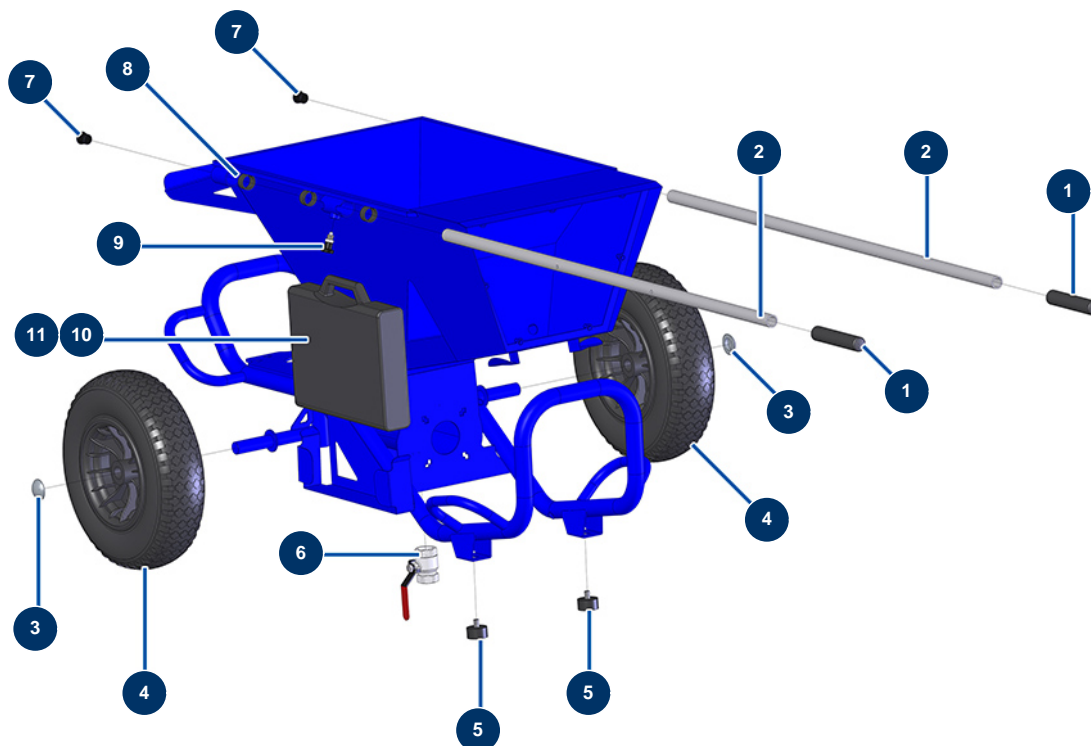


## COMPACT-PRO 15 spraying machine - Chassis

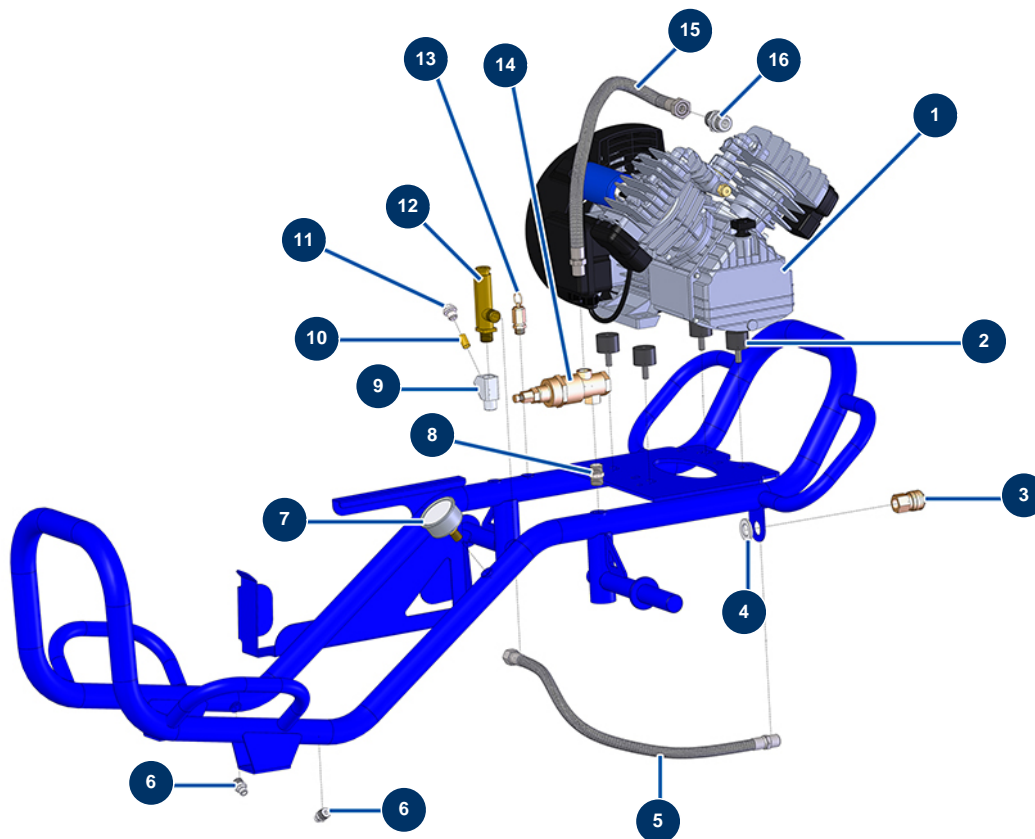


### Détails des pièces

Pos.	Référence	Désignation
1	90255	Arm handle for EUROPRO 24P, E50 and E100
1	90255	Arm handle for EUROPRO 24P, E50 and E100
2	C21326	JETMIX 80 / Blowing machine arm
2	C21326	JETMIX 80 / Blowing machine arm
3	90282	Ø25 chromed clip
3	90282	Ø25 chromed clip
4	80003	Ø400 complete wheel with shaft of 25 for 100TH, MPE 300
4	80003	Ø400 complete wheel with shaft of 25 for 100TH, MPE 300
5	30145	Ø 40 x 20 M10 stop
5	30145	Ø 40 x 20 M10 stop
6	70031	Drain valve for EUROPRO 4-6-8-14 P, MPE, AG, 7000z, 9000z
7	90870	Black plastic end cap for ø 25 round tube
7	90870	Black plastic end cap for ø 25 round tube

Pos.	Référence	Désignation
8	13453	Cylindrical bearing 26/30 x 16
9	13454	M12 X 1.5 indexage pin
10	12045	Carry case for E.W.I. ABS spray lance
11	12272	ABS - E.W.I. spraying lance

## COMPACT-PRO 15 spraying machine - Air circuit

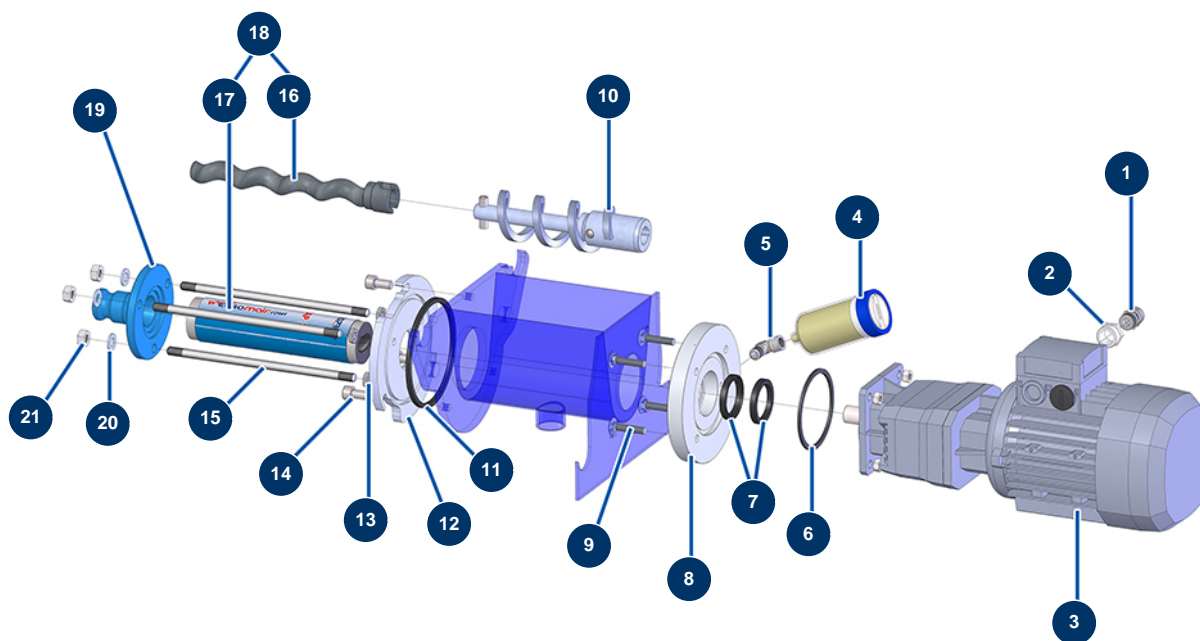


### Détails des pièces

Pos.	Référence	Désignation
1	30154	Compression head for EUROPRO 30 and 30+
2	30151	Silentbloc ø 30 x 22 M-F8
3	70035	3/8" inner threaded female quick fit coupling
4	30288	ø 16 inox narrow washer
5	90488	ECO 130 flow meter air hose
6	30133	1/4" male compressor tank purge
6	30133	1/4" male compressor tank purge
7	80028	1/4 conical axial manometer - 50mm - 0 to 20 bar
8	30367	3/8" MaleC x 3/8" MaleC low-pressure nipple
9	M10322	Filter body for spraying machine
10	12502	50 meshes hopper filter
11	M10323	Spraying machine filter body plug
12	30005	Flowmeter for EUROPRO 4-6-8-14 and 24 P

Pos.	Référence	Désignation
13	80097	1/4" certified outer threaded safety valve 11 bar
14	101015	3/8" emptying autonomous valve
15	13766	Compressor outlet air hose for COMPACT-PRO 25
16	90627	1/2" MaleD x 1/2" MaleD high-pressure nipple

## COMPACT-PRO 15 spraying machine - Transmission

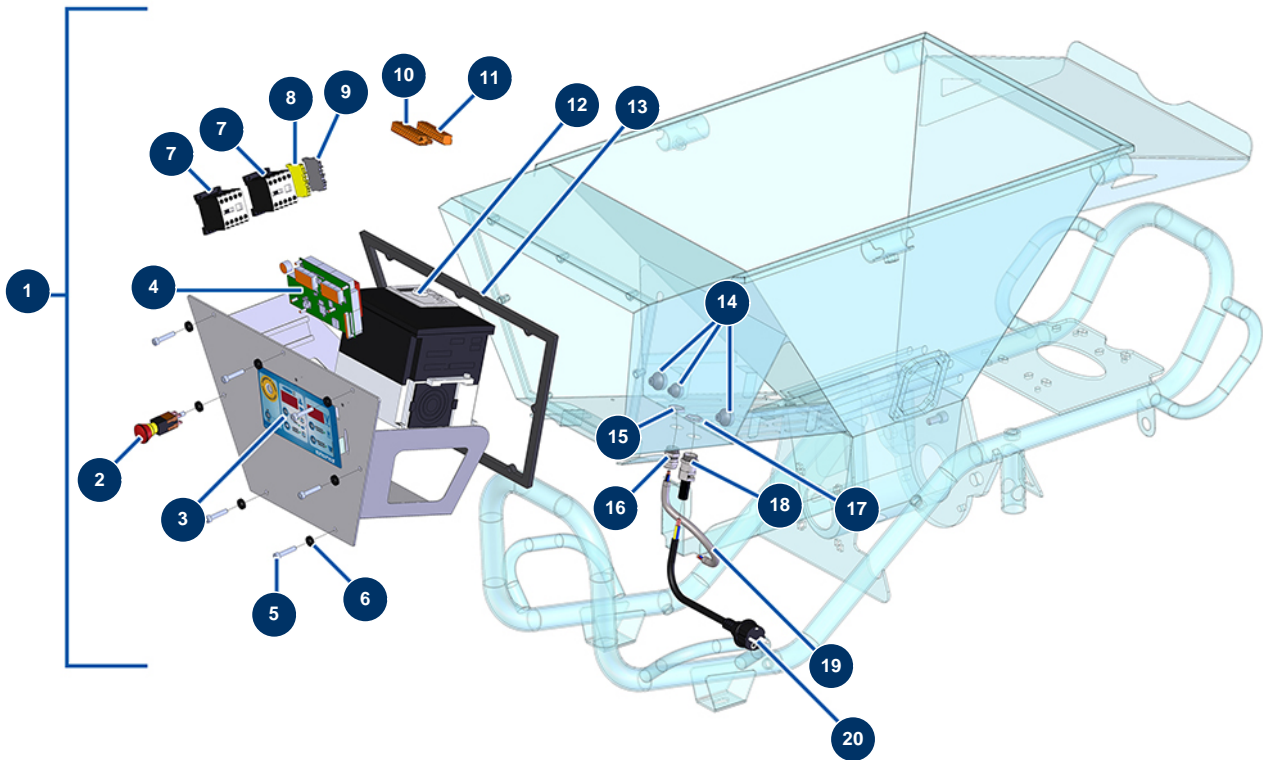


### Détails des pièces

Pos.	Référence	Désignation
1	30082	Nickel plated watertight cable gland of 11
2	80446	Cable gland reduction M 25-11
3	12081	Geared motor 1,5 kW - TC122 - R12,1 - 2800 rpm - 400V
4	90639	Automatic greaser
5	30121	90° low-pressure elbow 1/4 MaleC x 1/4 FemaleD
6	11456	AG, MPE machine motor flange gasket
7	70062	Spi seal 40 x 52 x 7 for 4,6,8P, AG, MPE, 7000z, 9000z
8	M10512	CP 15/2 motor flange
9	11561	Round head square neck stainless steel screw 8 x 40
10	C21719	Complete drive shaft for CP 15 V2
11	12506	4-lobes seal for JETPRO 80 flange
12	M10224	JETPRO 80 flange
13	10140	M10 flat nut

Pos.	Référence	Désignation
14	80668	10 x 20 cylindrical head screw
15	60010	Fastening tie rod for MAP 5/6
16	MI7009107800	EUROPRO MAP 3 pump rotor with bayonet head
17	MI3F00529201	EUROPRO MAP 3 - 60SH pump stator
18	30479	EUROPRO MAP 3 pump rotor/stator kit
19	10010	Blue stator flange for EUROPRO 8P and 14P
20	30293	ø 10 inox large washer
21	90453	M 10 nut

## COMPACT-PRO 15 spraying machine - Electrical box

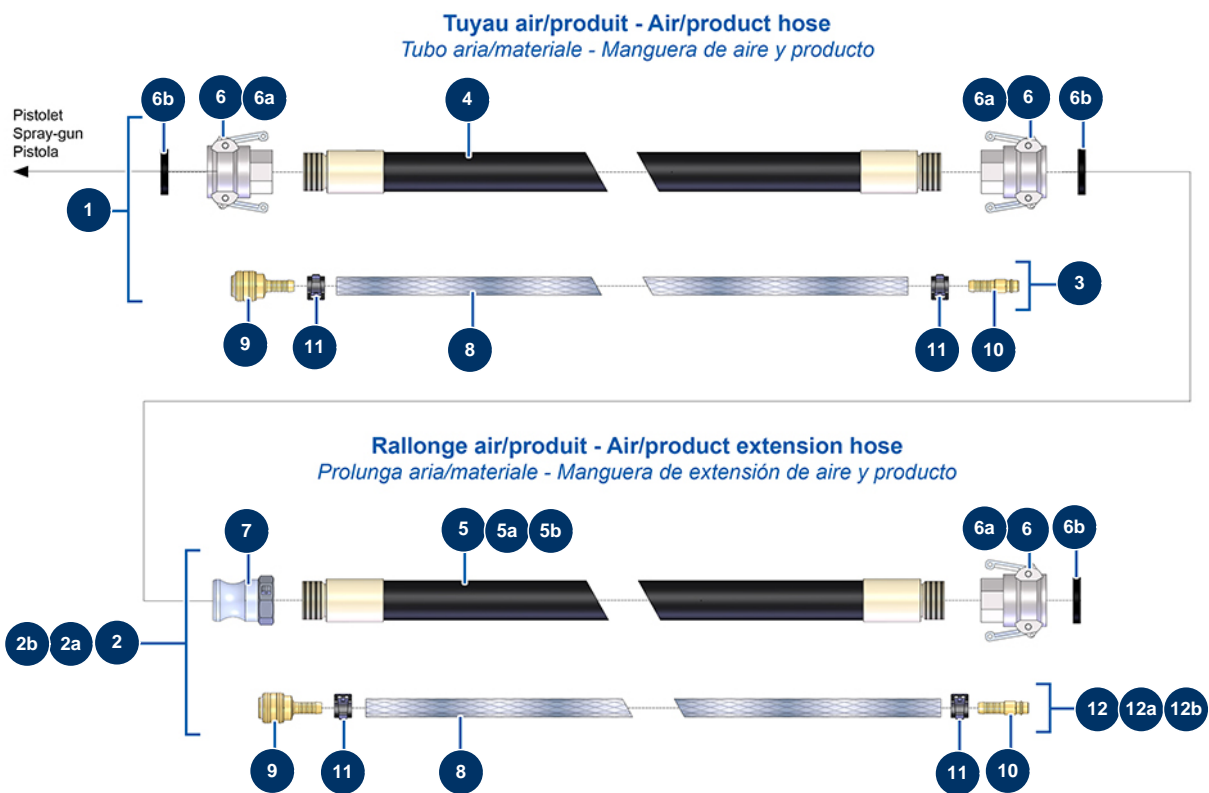


### Détails des pièces

Pos.	Référence	Désignation
1	13769	Complete membrane electrical box for COMPACT-PRO 15 - 2017
2	13015	Hanging EMERGENCY STOP button Ø16
3	13006	COMPACT PRO front with membrane
4	30627	COMPACT-PRO 25 electronic card
5	90153	6 x 30 cylindrical head screw
6	80753	Sander gear reducer outlet gear
7	11918	Coil contactor 24 Volt AC
7	11918	Coil contactor 24 Volt AC
8	30038	Yellow and green conductive block 6 mm <sup>2</sup>
9	80467	Grey conductor block 4 mm <sup>2</sup>
10	11771	12 pins male connector
11	11772	12 pins female connector
12	80458	Inverter 230 V - 1,5 kW

Pos.	Référence	Désignation
13	13600	CP25 electrical box seal
14	13632	M 20 grey rubber cable gland
15	30333	Cable gland locknut of 11 CEM
16	30040	Nickel plated watertight cable gland of 11 CEM
17	30054	Cable gland locknut of 13
18	80451	Brass cable gland of 13 for power cable
19	90606	Shielded cable 4 x 1,5 by the metre
20	90214	Power cable with molded plug 3G 2,5 mm <sup>2</sup>

## COMPACT-PRO 15 spraying machine - Hoses and extensions



### Détails des pièces

Pos.	Référence	Désignation
1	50026	ø 25 x 10 metres air product hose 14 P
2	50046	Air-product extension Ø25 x 5 m
2a	11633	Air-product extension Ø25 x 10 m
2b	12213	Air-product extension Ø25 x 15 m
3	91064	Complete air hose for lance 11,15 m 14P and 24P
4	50013	25 x 10 m product hose outer threaded 1"
5	50010	25 x 5 m product hose outer threaded 1"
5a	50013	25 x 10 m product hose outer threaded 1"
5b	50014	25 x 15 m product hose outer threaded 1" without couplers
6	70007	1" camlock alu coupling, inner threaded 1" for 6, 8, 14 & 24P
6	70007	1" camlock alu coupling, inner threaded 1" for 6, 8, 14 & 24P
6	70007	1" camlock alu coupling, inner threaded 1" for 6, 8, 14 & 24P
6a	90689	1" cam coupler

Pos.	Référence	Désignation
6a	90689	1" cam coupler
6a	90689	1" cam coupler
6b	70014	1" cam coupler gasket
6b	70014	1" cam coupler gasket
6b	70014	1" cam coupler gasket
7	70002	1" inner threaded adapter for 4 to 14P
8	50003	Clear braided PVC hose Ø 10 x 16 by the metre
8	50003	Clear braided PVC hose Ø 10 x 16 by the metre
9	70004	Female quick fit coupling with corrugated shank of 9
9	70004	Female quick fit coupling with corrugated shank of 9
10	70018	Corrugate male quick fit coupling of 9
10	70018	Corrugate male quick fit coupling of 9
11	12218	Spring collar Ø 15
11	12218	Spring collar Ø 15
11	12218	Spring collar Ø 15
11	12218	Spring collar Ø 15
12	91062	Complete air hose for lance 5,25 m 4P
12a	91064	Complete air hose for lance 11,15 m 14P and 24P
12b	13203	Complete air hose for lance 15,85 m

## COMPACT-PRO 15 spraying machine - General view (before 2017)

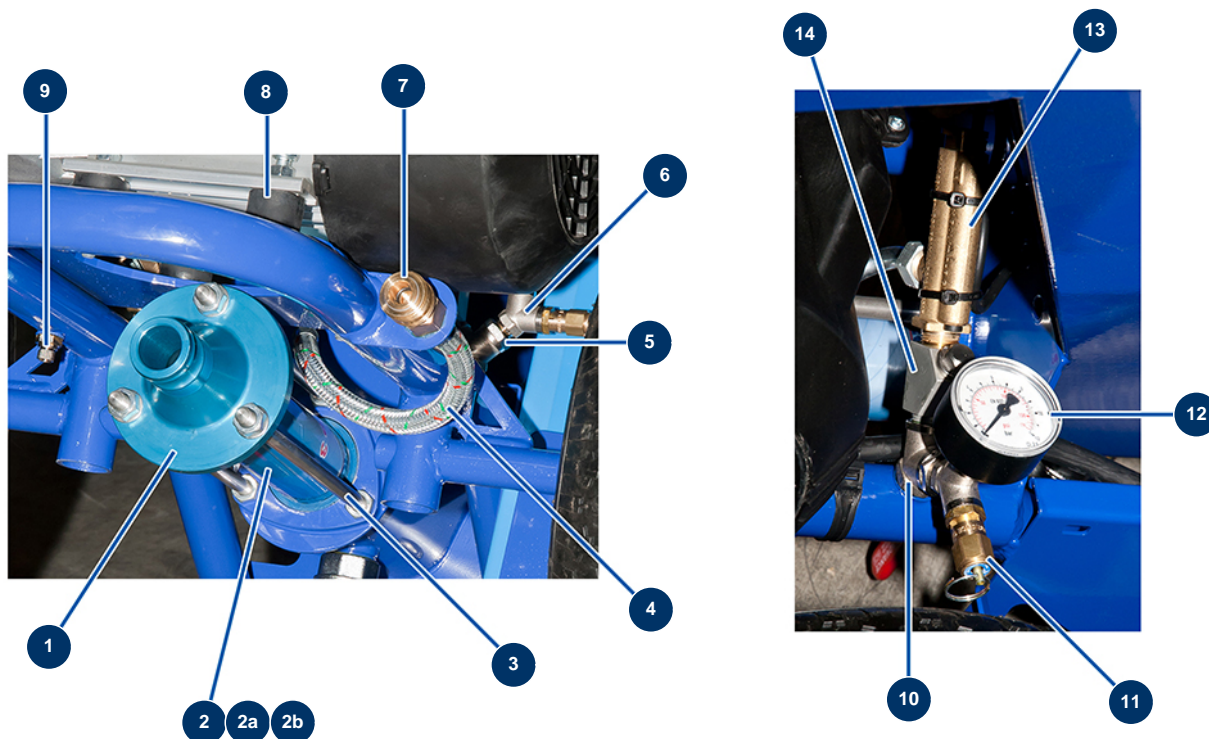


### Détails des pièces

Pos.	Référence	Désignation
1	12081	Geared motor 1,5 kW - TC122 - R12,1 - 2800 rpm - 400V
2	30145	Ø 40 x 20 M10 stop
3	90639	Automatic greaser
4	70031	Drain valve for EUROPRO 4-6-8-14 P, MPE, AG, 7000z, 9000z
5	01015	5
6	80003	Ø400 complete wheel with shaft of 25 for 100TH, MPE 300
7	90282	Ø25 chromed clip
8	90487	Flowmeter air hose for 24P
9	30154	Compression head for EUROPRO 30 and 30+
10	90214	Power cable with molded plug 3G 2,5 mm <sup>2</sup>
11	90255	Arm handle for EUROPRO 24P, E50 and E100
12	11578	Arm for CP10, 15 and AG PRO
13	90870	Black plastic end cap for ø 25 round tube

<b>Pos.</b>	<b>Référence</b>	<b>Désignation</b>
14	90571	Arm pin for 24P

## COMPACT-PRO 15 spraying machine - Air and product outlets (before 2017)

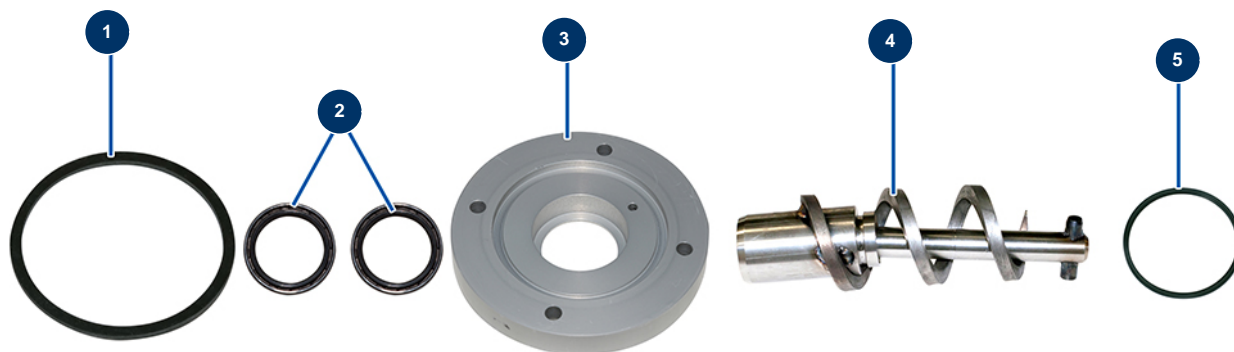


### Détails des pièces

Pos.	Référence	Désignation
1	10010	Blue stator flange for EUROPRO 8P and 14P
2	30479	EUROPRO MAP 3 pump rotor/stator kit
2a	MI7009107800	EUROPRO MAP 3 pump rotor with bayonet head
2b	MI3F00529201	EUROPRO MAP 3 - 60SH pump stator
3	10034	Fixation tie rod for MAP 2/3
4	80171	Flowmeter air hose for 14P
5	90242	3/8" MaleC x 1/4" FemaleD low-pressure reduction
6	30123	Low pressure Y - M1/4" x F1/4" x F1/4"
7	70035	3/8" inner threaded female quick fit coupling
8	30151	Silentbloc ø 30 x 22 M-F8
9	30133	1/4" male compressor tank purge
10	30127	Low pressure Y - M3/8" x F3/8" x F3/8"
11	80097	1/4" certified outer threaded safety valve 11 bar

Pos.	Référence	Désignation
12	80028	1/4 conical axial manometer - 50mm - 0 to 20 bar
13	30005	Flowmeter for EUROPRO 4-6-8-14 and 24 P
14	M10322	Filter body for spraying machine

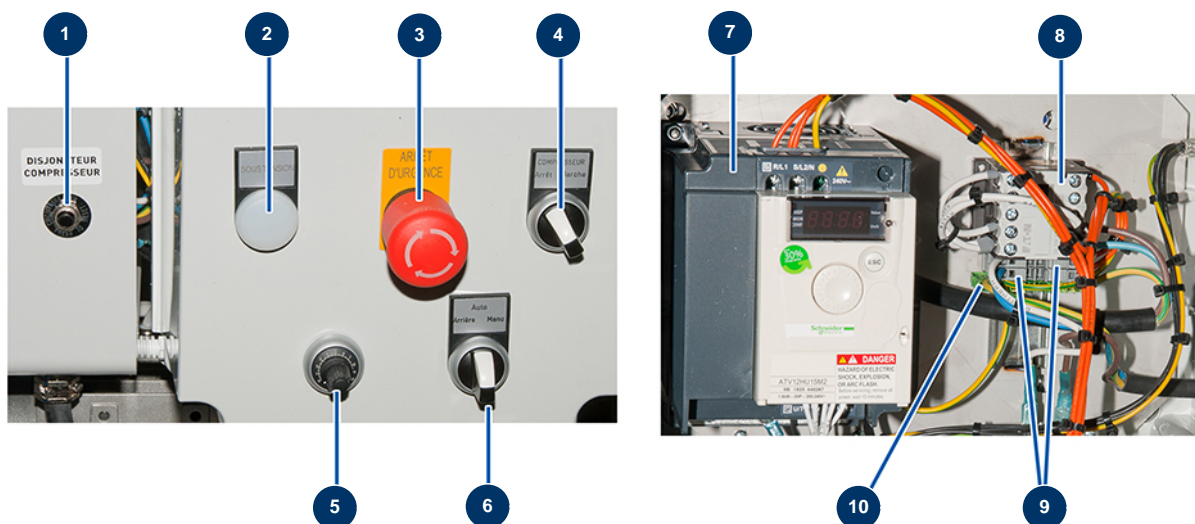
## COMPACT-PRO 15 spraying machine - Transmission (before 2017)



### Détails des pièces

Pos.	Référence	Désignation
1	11456	AG, MPE machine motor flange gasket
2	70062	Spi seal 40 x 52 x 7 for 4,6,8P, AG, MPE, 7000z, 9000z
3	11576	Motor spacer flange for CP10, 15 & DECOPRO
4	C20284	Complete drive shaft for CP 10
5	12506	4-lobes seal for JETPRO 80 flange

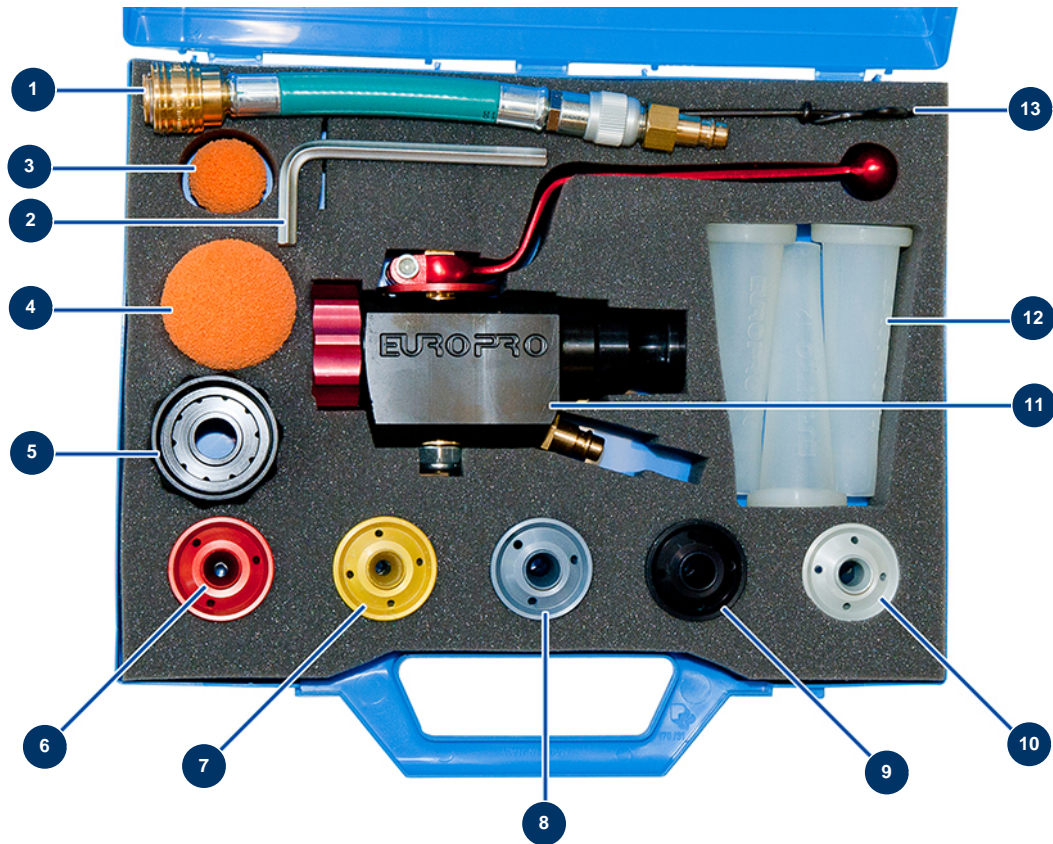
## COMPACT-PRO 15 spraying machine - Electrical box (before 2017)



### Détails des pièces

Pos.	Référence	Désignation
1	30090	16 A squared petrol motor circuit breaker
2	13614	Complete 230V ON light
3	90778	Complete hanging EMERGENCY STOP button
4	11339	Complete START-STOP button for COMPACT-PRO 30 compressor
5	80645	Spraying machine complete potentiometer from MARCH 2003
6	11338	COMPACT-PRO complete REVERSE-AUTO-MANU button
7	80458	Inverter 230 V - 1,5 kW
8	30011	230 Volt coil switch for sprayer
9	80482	Grey conductor block 6 mm <sup>2</sup>
10	30038	Yellow and green conductive block 6 mm <sup>2</sup>

## COMPACT-PRO 15 spraying machine - Spraying lance



### Détails des pièces

Pos.	Référence	Désignation
1	11414	Air regulation kit for COMPACT-PRO 30 spray lance
2	01013	2
3	20005	Cleaning ball ø 30
4	90566	Cleaning ball Ø 50
5	M10062	Exhaust air ring
6	10045	Red nozzle Ø 5mm
7	10046	Yellow nozzle Ø 6mm
8	10047	Anthracite nozzle Ø 7mm
9	10048	Black nozzle Ø 8mm
10	10050	Grey nozzle Ø 10mm
11	12270	8, 14 and 24P ABS spraying lance
12	11759	Set of grouting nozzles Ø 10, 12, 14
13	90605	Tube brush