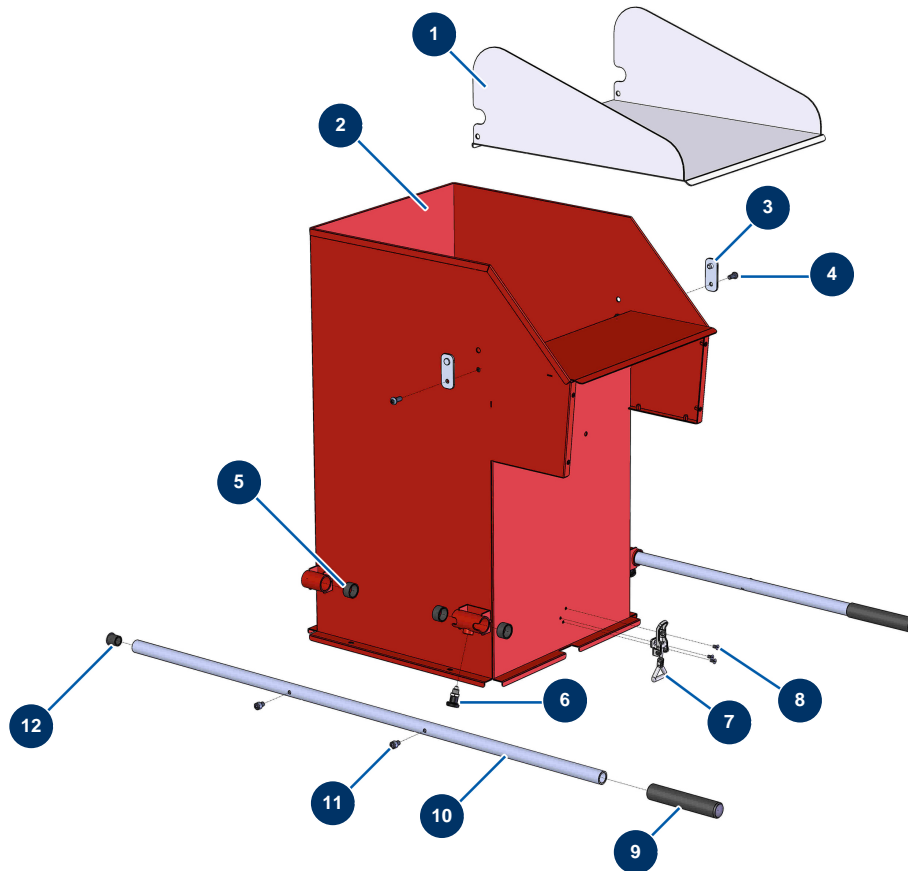


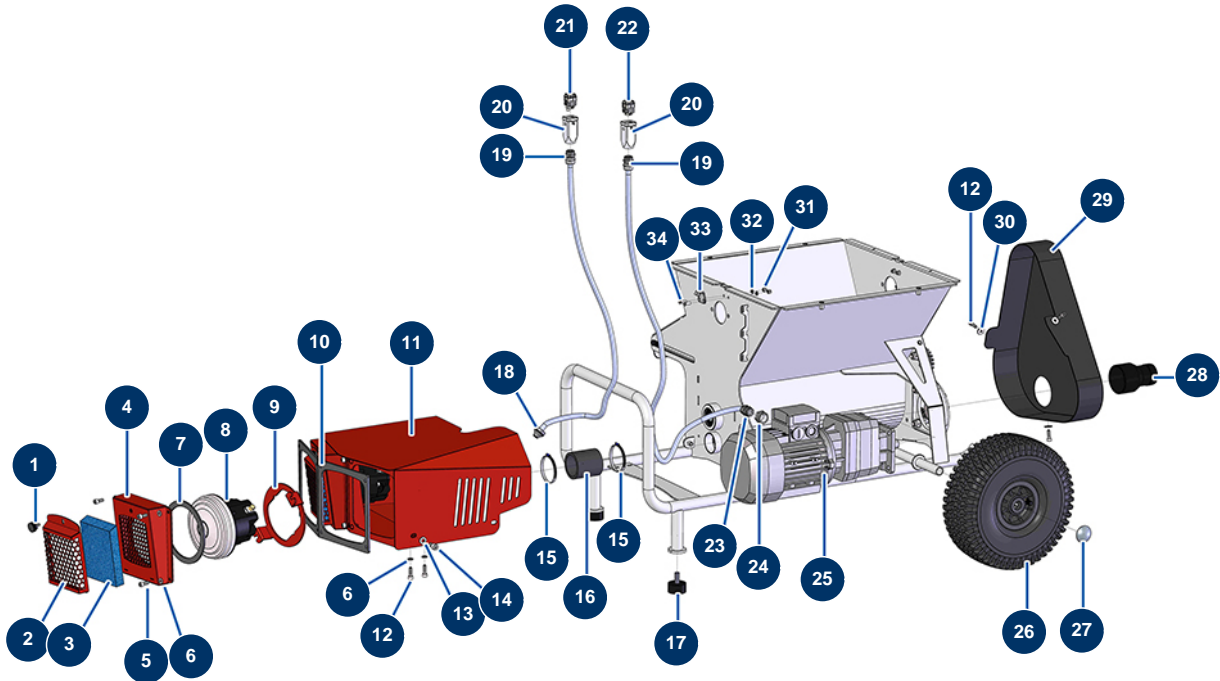
## TURBISOL 164/2 blowing machine - Tank



### Détails des pièces

Pos.	Référence	Désignation
1	C20621	TURBISOL 56 Evo 2, 112/2 & 164/2 blowing machine closing trap
2	C22589	TURBISOL 56 Evo 2, 112/2 & 164/2 blowing machine upper hopper
3	C20623	TURBISOL 56 Evo 2, 112/2 & 164/2 blowing machine trap fixing support
4	12111	8 x 20 inox cylindrical pan head screw
5	13453	Cylindrical bearing 26/30 x 16
6	13454	M12 X 1.5 indexage pin
7	13111	Large hood locking adjustable locking clamp - C.P 60
8	90130	5 x 16 countersunk head screw
9	90255	Arm handle for EUROPRO 24P, E50 and E100
10	C21326	JETMIX 80 / Blowing machine arm
11	90151	8 x 10 cylindrical head screw
12	90870	Black plastic end cap for ø 25 round tube

## TURBISOL 164/2 blowing machine - Chassis

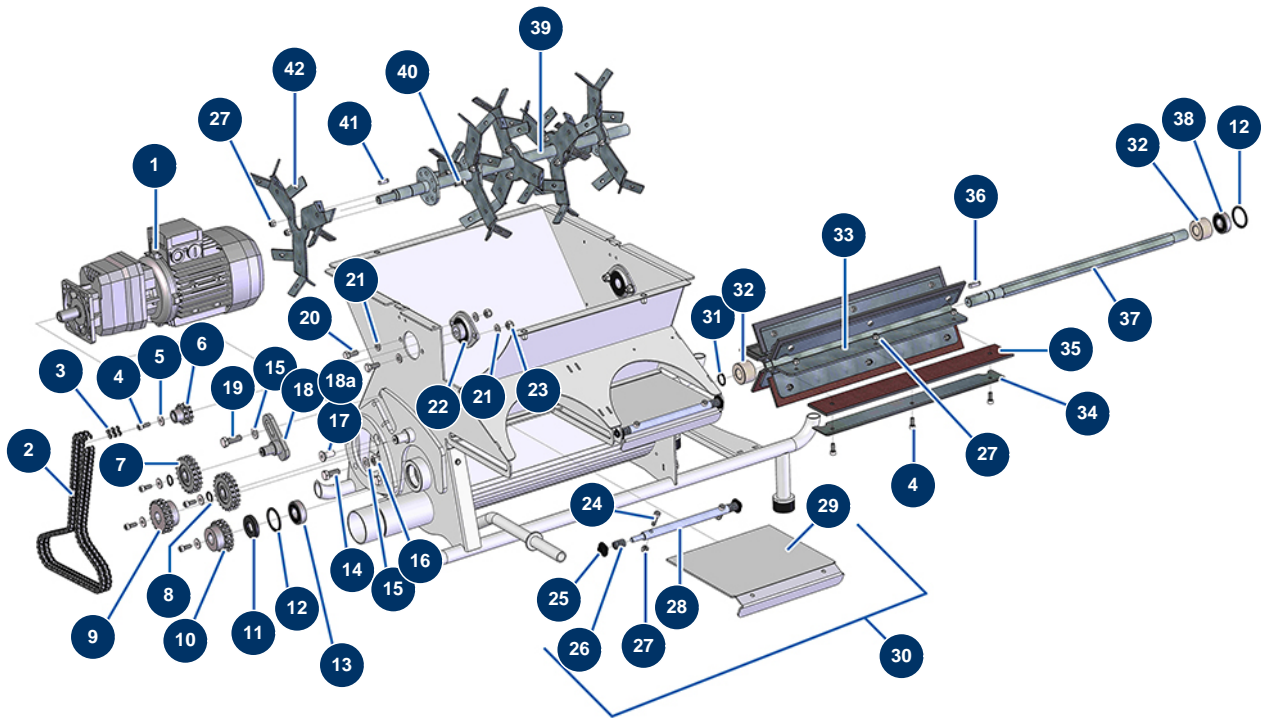


### Détails des pièces

Pos.	Référence	Désignation
1	12261	Ø22 M5 x 10 outer threaded plastic thumb wheel
2	C21971	TURBISOL 164 foam filter holder
3	13989	TURBISOL 164 turbine foam filter
4	C21498	Turbine door for TURBISOL 164/2 blowing machine
5	80470	8 x 20 cylindrical head screw
6	80259	Ø 6 medium washer
6	80259	Ø 6 medium washer
7	13537	TURBISOL 164/2 turbine gasket
8	13556	1-stage turbine - 230V
9	C21500	Turbine flange for TURBISOL 164/2
10	13536	Double turbine box gasket for TURBISOL 164/2
11	C21494	Air box for TURBISOL 164/2 blowing machine
12	90996	6 x 20 inox cylindrical head screw

Pos.	Référence	Désignation
12	90996	6 x 20 inox cylindrical head screw
13	80260	ø 8 inox medium washer
14	30295	THEF 8 x 16 screw
15	11752	Worm gear clamp 50 x 70 x 9
15	11752	Worm gear clamp 50 x 70 x 9
16	12216	Blowing machine hose Ø 48 x Length 75 mm
17	30145	Ø 40 x 20 M10 stop
18	13632	M 20 grey rubber cable gland
19	30082	Nickel plated watertight cable gland of 11
19	30082	Nickel plated watertight cable gland of 11
20	11916	Blowing machine insulating cover 3 p + T
20	11916	Blowing machine insulating cover 3 p + T
21	11913	Blowing machine male insert 4 p + T
22	11911	Blowing machine male insert 3 p + T
23	30040	Nickel plated watertight cable gland of 11 CEM
24	80446	Cable gland reduction M 25-11
25	12181	Geared motor 0,75 kW - TC122 - R20,6 - 1400 rpm - 400V
26	90692	Complete wheel 300 shaft of 20
27	90282	Ø25 chromed clip
28	M10154	Ø 63-51 blowing machine outlet reduction
29	12845	TURBISOL 56 & 112 blowing machine pulley protective crankcase
30	30293	ø 10 inox large washer
31	12737	M 3 nylstop nut
32	11737	ø 5 inox medium washer
33	13111	Large hood locking adjustable locking clamp - C.P 60
34	90130	5 x 16 countersunk head screw

## TURBISOL 164/2 blowing machine - Transmission (from 06/2021)



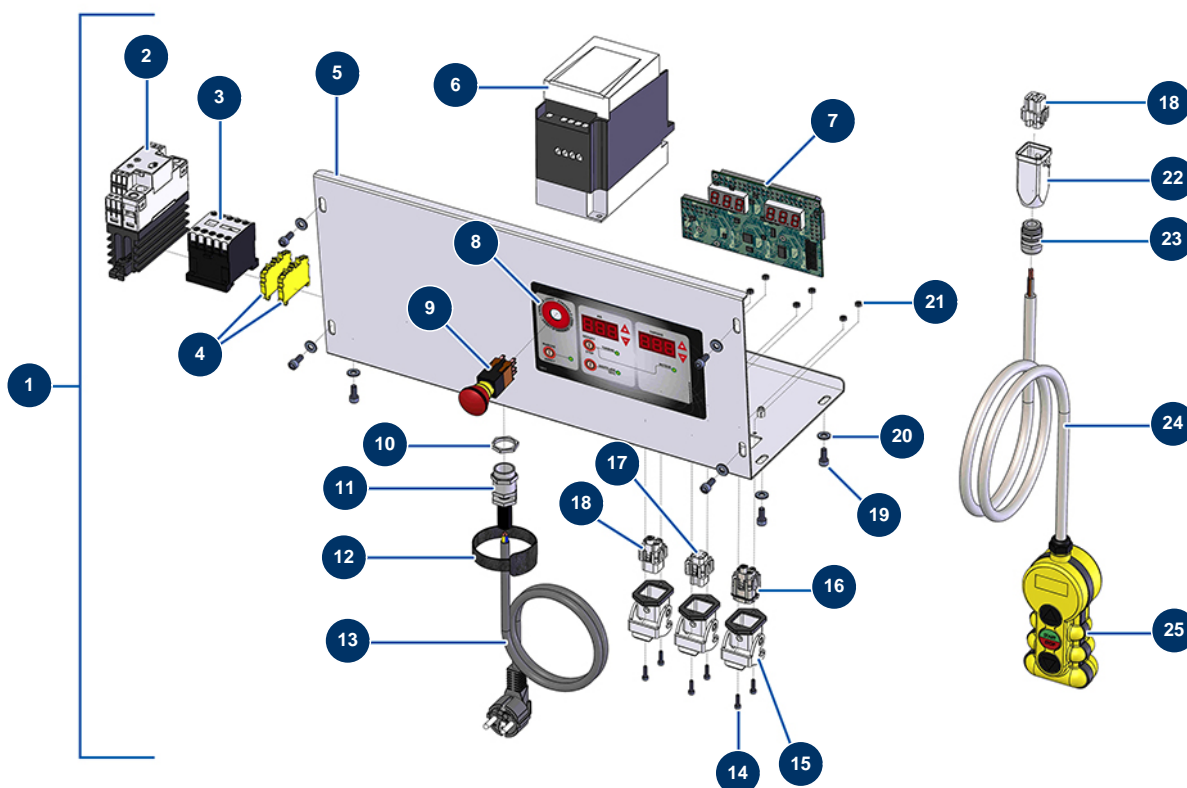
### Détails des pièces

Pos.	Référence	Désignation
1	12181	Geared motor 0,75 kW - TC122 - R20,6 - 1400 rpm - 400V
2	14398	Blowing machine triple chain Lg. 934 mm (98 links) with quick coupling
3	11989	Version 2 blowing machine double chain quick fit attachment
4	90157	M6 x 16 cylindrical head screw - CP 60
4	90157	M6 x 16 cylindrical head screw - CP 60
5	30291	ø 6 large washer
6	14400	13 teeth triple sprocket for blowing machine
7	15047	Version 2 blowing machine 21-tooth idler sprocket
8	11991	Ø 16 outer circlip
9	14401	18 teeth triple sprocket for blowing machine
10	14402	19 teeth triple sprocket for blowing machine
11	80613	Spi seal 20 x 42 x 7
12	12210	Blowing machine distributor Ø 42 inner circlip

Pos.	Référence	Désignation
12	12210	Blowing machine distributor Ø 42 inner circlip
13	12944	TURBISOL 112 blowing machine distributor bearing with conical holder
14	30257	THEF 10 x 25 screw
15	80261	ø 10 inox medium washer
15	80261	ø 10 inox medium washer
16	60013	M 10 nylstop nut
17	14158	10 x 25 countersunk head screw
18	C20046	Blowing machine transmission single chain tensioner
18a	30666	Blowing machine transmission complete chain tensioner
19	30258	THEF 10 x 30 screw
20	30273	THEF 8 x 20 screw
21	80260	ø 8 inox medium washer
21	80260	ø 8 inox medium washer
22	11900	Flange bearing ø 20 - 2 points for blowing machine
23	90127	M 8 nylstop nut
24	80614	6 x 25 inox cylindrical head screw
25	M10159	112 blowing machine flap spring stop
26	12632	112, 164 blowing machine trapdoor return spring
27	14217	M 6 nylstop inox nut
27	14217	M 6 nylstop inox nut
27	14217	M 6 nylstop inox nut
28	M10160	TURBISOL 164 blowing machine flap axle
29	C20282	TURBISOL 164 flow adjustment flap
30	12315	TURBISOL 112 product flow complete adjustment trapdoor
31	12318	Ø 20 outer circlip
32	11907	Felt gasket Ø 20 x 40 for TURBISOL 56, 112 & 164 blowing machine
32	11907	Felt gasket Ø 20 x 40 for TURBISOL 56, 112 & 164 blowing machine
33	C23153	TURBISOL 56, 112 & 164 hexagonal rotating distributor
34	C20040	Blowing machine paddle fixing detachable support
35	11992	Set of 6 foam-rubber blades for version 2 blowing machine distributor
36	12000	6 x 6 x 29 parallel key with round end
37	M10787	TURBISOL 56, 112 & 164 hexagonal distributor shaft
38	12209	TURBISOL 56 and 112 blowing machine distributor bearing
39	C22864	Single 5-blades mixing shaft for TURBISOL 56 Evo2, 112 & 164

Pos.	Référence	Désignation
40	90996	6 x 20 inox cylindrical head screw
41	12001	5 x 5 x 28 parallel key with round end
42	C23123	TURBISOL 200 star-shaped carding paddle ø280

## TURBISOL 164/2 blowing machine - Electrical box

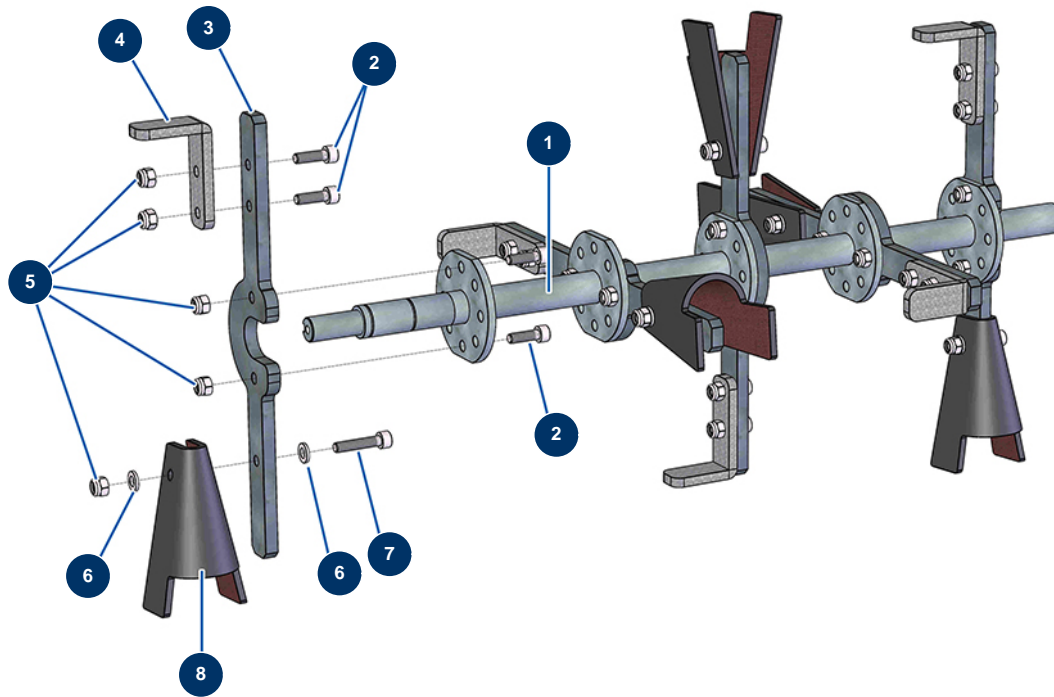


### Détails des pièces

Pos.	Référence	Désignation
1	13555	Complete membrane electrical box for TURBISOL 164/2
2	14867	30A/230V dimmer for TURBISOL 164/200
3	11918	Coil contactor 24 Volt AC
4	30038	Yellow and green conductive block 6 mm <sup>2</sup>
5	C20620	Membrane electrical box door for TURBISOL 112/2 & 164/2
6	11781	Inverter 230 V - 0,75 KW
7	30677	TURBISOL 112 & TRAMONTANE 2 blowing machine electronic card
8	13013	TURBISOL front with membrane
9	13015	Hanging EMERGENCY STOP button Ø16
10	30060	11mm cable gland nut
11	80450	cable gland for 11mm supply cable
12	12410	Self-gripping collar with loop 12,7 x 228 mm
13	90180	Supply cable with moulded plug 3G 1,5 mm <sup>2</sup>

Pos.	Référence	Désignation
14	12249	3 x 12 cylindrical head screw
15	11915	Blowing machine insulating support 3 p + T - 1 lever
16	11913	Blowing machine male insert 4 p + T
17	11912	Blowing machine female insert 3 p + T
18	11914	Female insert 4p + G
18	11914	Female insert 4p + G
19	90161	5 x 12 inox cylindrical head screw
20	11737	∅ 5 inox medium washer
21	310016	M 3 nut
22	11916	Blowing machine insulating cover 3 p + T
23	30082	Nickel plated watertight cable gland of 11
24	11919	H05VVF 4G1 grey electrical cable x 25 metres
25	11921	Blowing machine 2-button wired remote control box

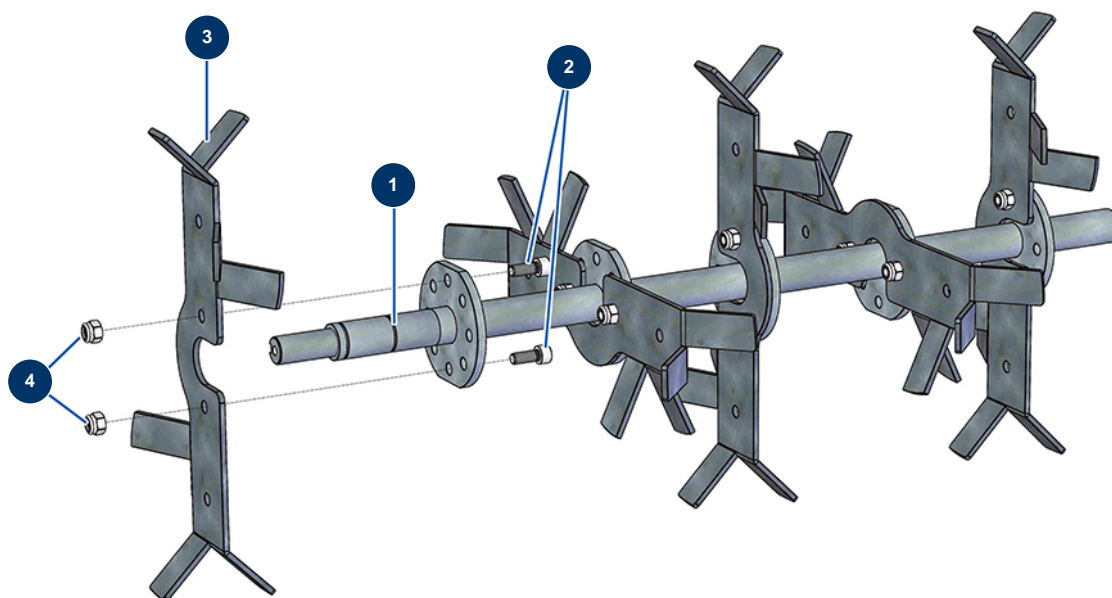
## TURBISOL 164/2 blowing machine - Carding shaft with adjustable blades



### Détails des pièces

Pos.	Référence	Désignation
1	C22864	Single 5-blades mixing shaft for TURBISOL 56 Evo2, 112 & 164
2	90996	6 x 20 inox cylindrical head screw
2	90996	6 x 20 inox cylindrical head screw
3	C22867	TURBISOL 164 straight carding paddle
4	C20692	TURBISOL mixing claw, 45 mm
5	14217	M 6 nylstop inox nut
6	80259	Ø 6 medium washer
6	80259	Ø 6 medium washer
7	90153	6 x 30 cylindrical head screw
8	11906	Blowing machine mixer foam-rubber square

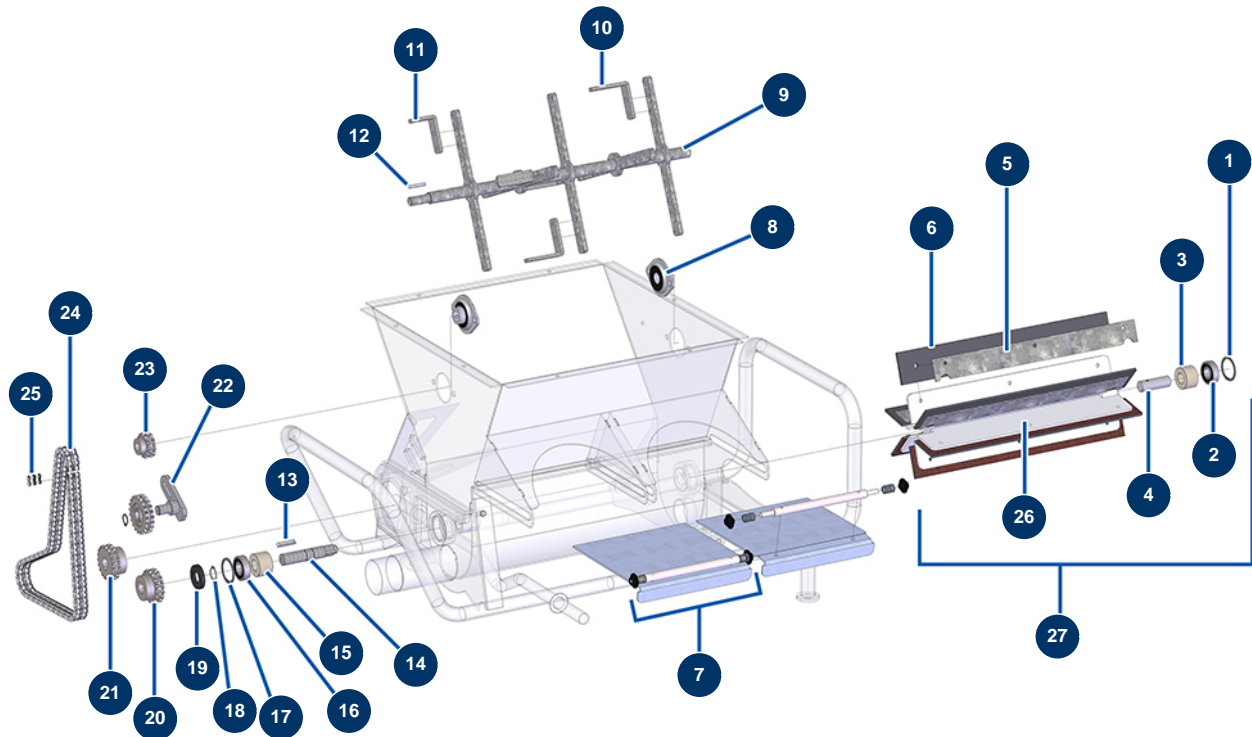
## TURBISOL 164/2 blowing machine - Carding shaft with simple blades



### Détails des pièces

Pos.	Référence	Désignation
1	C22864	Single 5-blades mixing shaft for TURBISOL 56 Evo2, 112 & 164
2	90157	M6 x 16 cylindrical head screw - CP 60
3	C22865	TURBISOL 56 Evo2 simple carding paddle
4	14217	M 6 nylstop inox nut

## TURBISOL 164/2 blowing machine - Transmission (up to 05/2021)



### Détails des pièces

Pos.	Référence	Désignation
1	12210	Blowing machine distributor Ø 42 inner circlip
2	12209	TURBISOL 56 and 112 blowing machine distributor bearing
3	11907	Felt gasket Ø 20 x 40 for TURBISOL 56, 112 & 164 blowing machine
4	M10014	Version 2 blowing machine distributor short axis from AUGUST 2010
5	C20040	Blowing machine paddle fixing detachable support
6	11992	Set of 6 foam-rubber blades for version 2 blowing machine distributor
7	12315	TURBISOL 112 product flow complete adjustment trapdoor
8	11900	Flange bearing ø 20 - 2 points for blowing machine
9	C22560	TURBISOL 112 & 164 blowing machine mixing shaft
10	C20691	TURBISOL mixing claw, 70 mm
11	C20692	TURBISOL mixing claw, 45 mm
12	12001	5 x 5 x 28 parallel key with round end
13	12000	6 x 6 x 29 parallel key with round end

Pos.	Référence	Désignation
14	M10013	Version 2 blowing machine distributor long axis from AUGUST 2010
15	11907	Felt gasket Ø 20 x 40 for TURBISOL 56, 112 & 164 blowing machine
16	12944	TURBISOL 112 blowing machine distributor bearing with conical holder
17	12210	Blowing machine distributor Ø 42 inner circlip
18	12318	Ø 20 outer circlip
19	80613	Spi seal 20 x 42 x 7
20	11986	Version 2 blowing machine 19-tooth double sprocket
21	11985	Version 2 blowing machine 18-tooth double sprocket
22	30666	Blowing machine transmission complete chain tensioner
23	11984	Version 2 blowing machine 13-tooth double sprocket
24	14559	
25	11989	Version 2 blowing machine double chain quick fit attachment
26	C20290	Version 2 blowing machine rotating distributor from AUGUST 2010
27	12291	