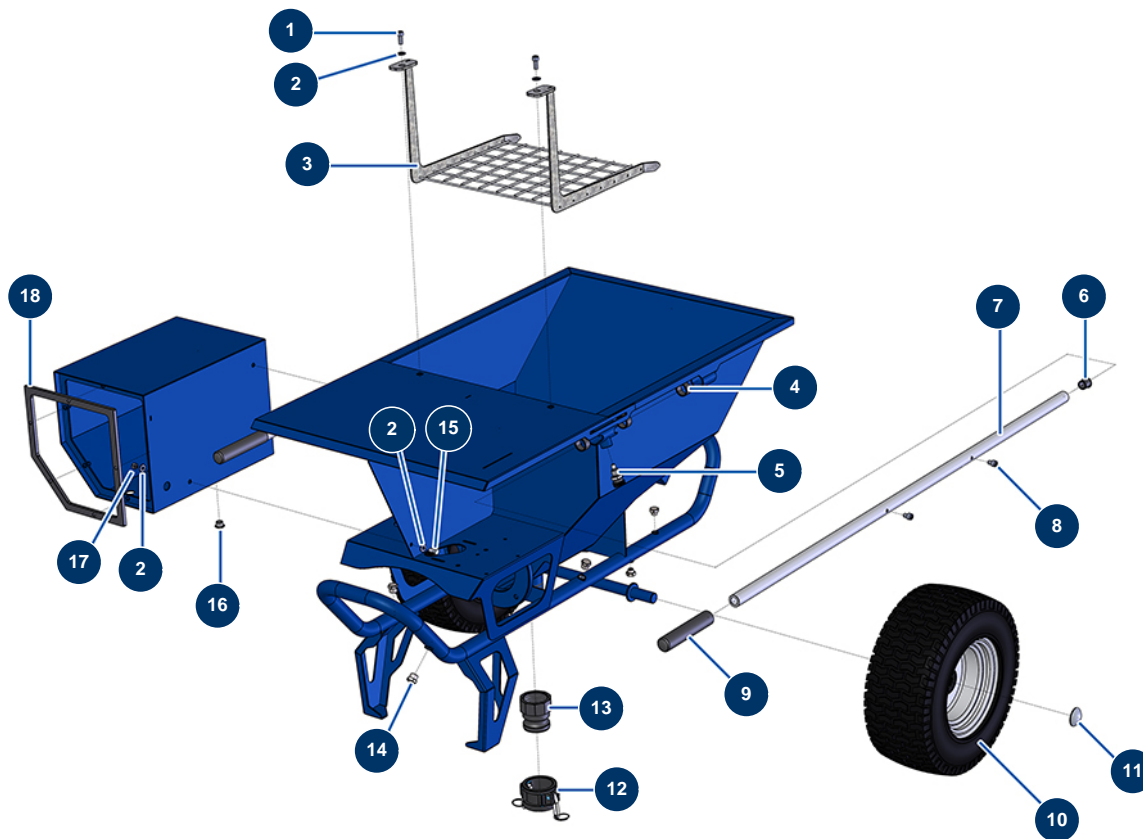


COMPACT-PRO 50 liquid screed machine - Chassis

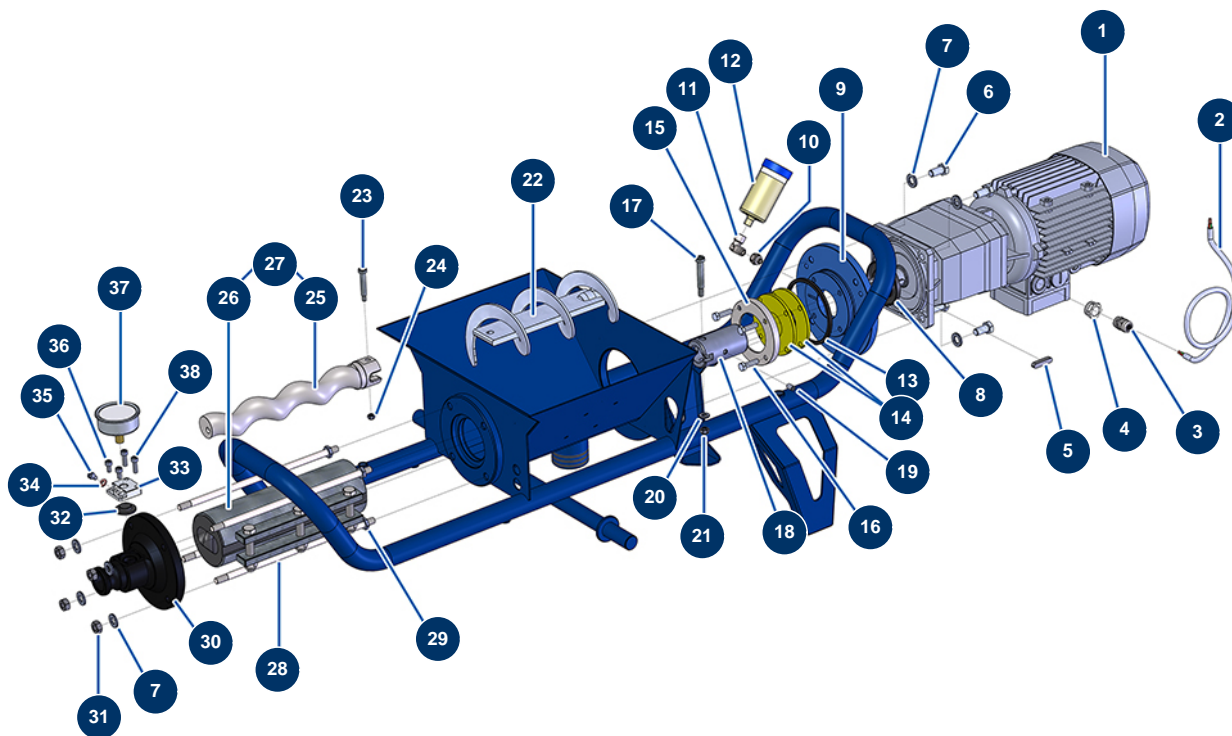


Détails des pièces

Pos.	Référence	Désignation
1	80470	8 x 20 cylindrical head screw
2	80260	ø 8 inox medium washer
2	80260	ø 8 inox medium washer
2	80260	ø 8 inox medium washer
3	11379	COMPACT-PRO 30, 35, 40 & 50 machine safety grid
4	13453	Cylindrical bearing 26/30 x 16
5	15010	Complete indexing pin for arm
6	90870	Black plastic end cap for ø 25 round tube
7	C21327	COMPACT-PRO 30 to 55 machine arm from March 2020
8	90151	8 x 10 cylindrical head screw
9	90255	Arm handle for EUROPRO 24P, E50 and E100
10	80372	Complete Ø410 wheel with bearing - axle of 25
11	90282	Ø25 chromed clip

Pos.	Référence	Désignation
12	11397	POLYPRO 2" female plug with cams for COMPACT-PRO 30
13	11396	POLYPRO 2" inner threaded adapter for COMPACT-PRO 30
14	90238	3/8" low-pressure male plug
15	30295	THEF 8 x 16 screw
16	11327	Cable gland locknut of M16
17	13980	M 8 nylstop inox nut
18	11361	EUROPRO COMPACT-PRO 30 electric box gasket

COMPACT-PRO 50 liquid screed machine - Transmission

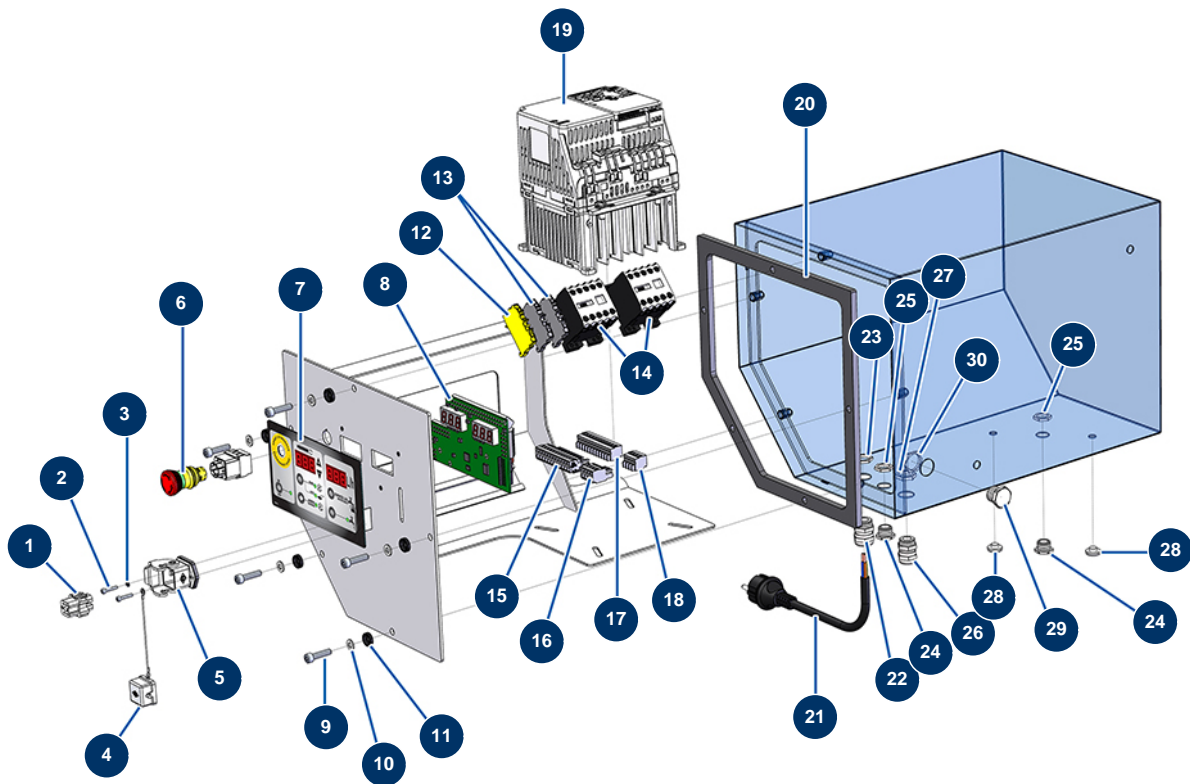


Détails des pièces

Pos.	Référence	Désignation
1	13401	Geared motor 2,2 kW - TC322 - R6,5 - 1400 rpm - 400V
2	90606	Shielded cable 4 x 1,5 by the metre
3	30082	Nickel plated watertight cable gland of 11
4	80446	Cable gland reduction M 25-11
5	11999	8 x 7 x 40 parallel key with round end
6	30259	THEF 10 x 40 screw
7	80261	ø 10 inox medium washer
7	80261	ø 10 inox medium washer
8	70107	Spi seal 50 x 80 x 8 for 24P,24PT, MPE300, COMPACT-PRO 30
9	11334	Motor spacer flange for COMPACT-PRO
10	10899	1/8" MaleD x 1/4" FemaleD low-pressure nipple
11	30121	90° low-pressure elbow 1/4 MaleC x 1/4 FemaleD
12	90639	Automatic greaser

Pos.	Référence	Désignation
13	11337	COMPACT-PRO 30 4-lobes seal for motor spacer flange
14	11300	COMPACT-PRO 30 tank base gasket
15	M10190	COMPACT-PRO 30 gasket support ring
16	30205	THEF 8 x 30 screw
17	11359	CP 30 transmission shaft screw pin
18	11336	Drive shaft for CP 20, 30 & 40
19	11360	Socket head screw M 8 x 16
20	13980	M 8 nylstop inox nut
21	80260	∅ 8 inox medium washer
22	11357	CP 30 to 50 connecting rod
23	90520	CP 30 rotor screw pin
24	14217	M 6 nylstop inox nut
25	MI7009107300	EUROPRO MAP 5/6 pump rotor CP30-type head
26	MI3F00529400	EUROPRO MAP 6 D8-1,5 adjustable pump stator
27	30446	EUROPRO MAP 6 pump rotor/stator kit
28	60010	Fastening tie rod for MAP 5/6
29	13979	M10 flat inox nut
30	90125	EUROPRO 24 P and COMPACT-PRO 30 stator flange
31	13978	M10 inox nut
32	MI4920006000	Membrane
33	M10079	MIXPRO 14 cage cover
34	12765	Copper seal for JETPRO 80 pump nose
35	12625	6 x 8 cylindrical head screw
36	12112	6 x 12 cylindrical head screw
37	80070	Axial manometer 1/4" conical oil 50 mm 0 to 60 bar
38	90996	6 x 20 inox cylindrical head screw

COMPACT-PRO 50 liquid screed machine - Electrical box

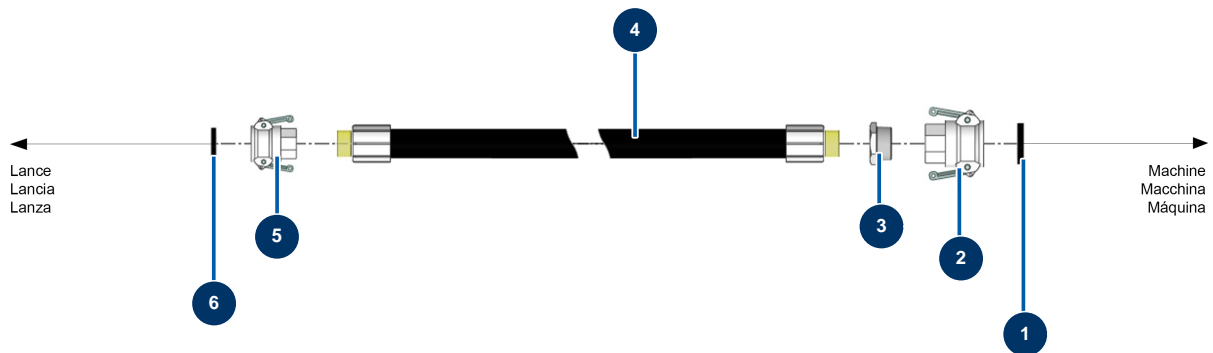


Détails des pièces

Pos.	Référence	Désignation
1	11914	Female insert 4p + G
2	12250	3 x 16 cylindrical head screw
3	12108	ø 3 inox narrow washer
4	12535	2 PIV cover with MIXPRO 14 gasket
5	11915	Blowing machine insulating support 3 p + T - 1 lever
6	13015	Hanging EMERGENCY STOP button Ø16
7	13006	COMPACT PRO front with membrane
8	30672	COMPACT-PRO 30, 35 & 40 electronic card
9	80614	6 x 25 inox cylindrical head screw
10	70087	ø 6 inox narrow washer
11	80573	Hollow washer Ø 6
12	30038	Yellow and green conductive block 6 mm²
13	80467	Grey conductor block 4 mm²

Pos.	Référence	Désignation
14	11918	Coil contactor 24 Volt AC
15	11771	12 pins male connector
16	12754	4-pin male connector
17	11772	12 pins female connector
18	12755	4-pin female connector
19	80459	Inverter 230 V - 2.2 KW
20	11361	EUROPRO COMPACT-PRO 30 electric box gasket
21	90214	Power cable with molded plug 3G 2,5 mm ²
22	30332	13mm nickel plated sealed cable gland
23	30054	Cable gland locknut of 13
24	80442	Electric plug for IM 16
24	80442	Electric plug for IM 16
25	11327	Cable gland locknut of M16
25	11327	Cable gland locknut of M16
26	30040	Nickel plated watertight cable gland of 11 CEM
27	30333	Cable gland locknut of 11 CEM
28	80397	Water exhaust cork for electrical box
28	80397	Water exhaust cork for electrical box
29	90567	Electrical plug of 11
30	30060	11mm cable gland nut

COMPACT-PRO 50 liquid screed machine - Hose



Détails des pièces

Pos.	Référence	Désignation
1	70015	1"1/4 cam coupler gasket
2	70006	1"1/4 camlock alu coupling, inner threaded 1"1/4 for 24P
3	80157	1"1/4 MaleC x 1" FemaleD low-pressure reduction
4	10268	Spray hose 25 x 37 by the metre
5	70007	1" camlock alu coupling, inner threaded 1" for 6, 8, 14 & 24P
6	70014	1" cam coupler gasket