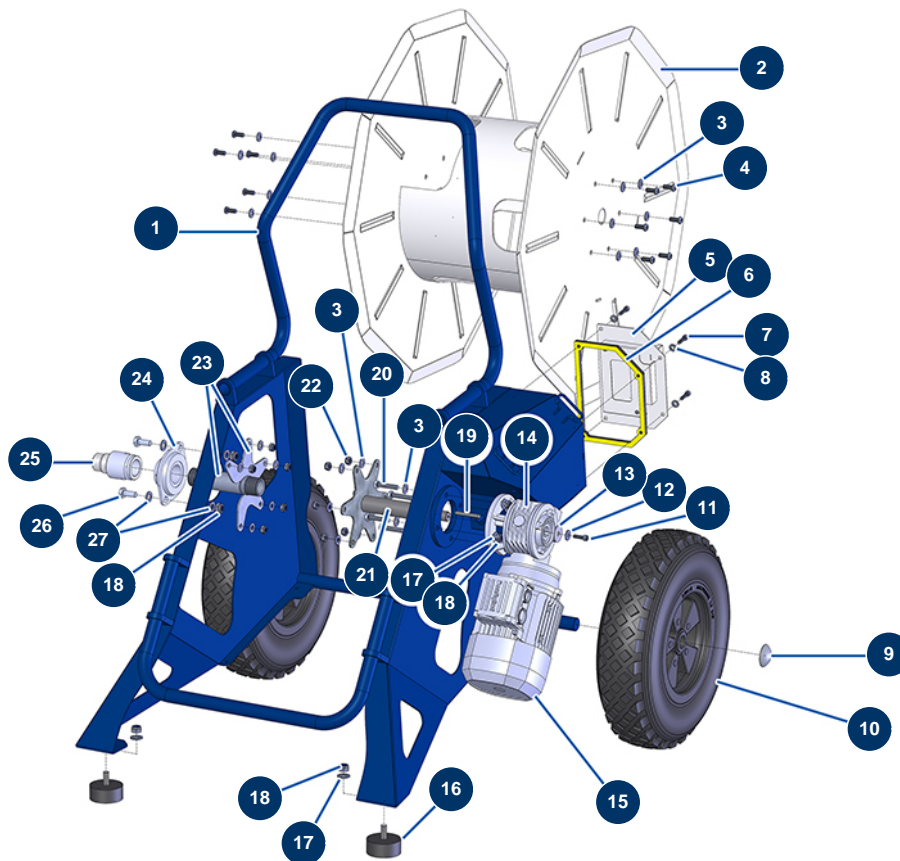


## L empty motorised hose reel without hose - Chassis

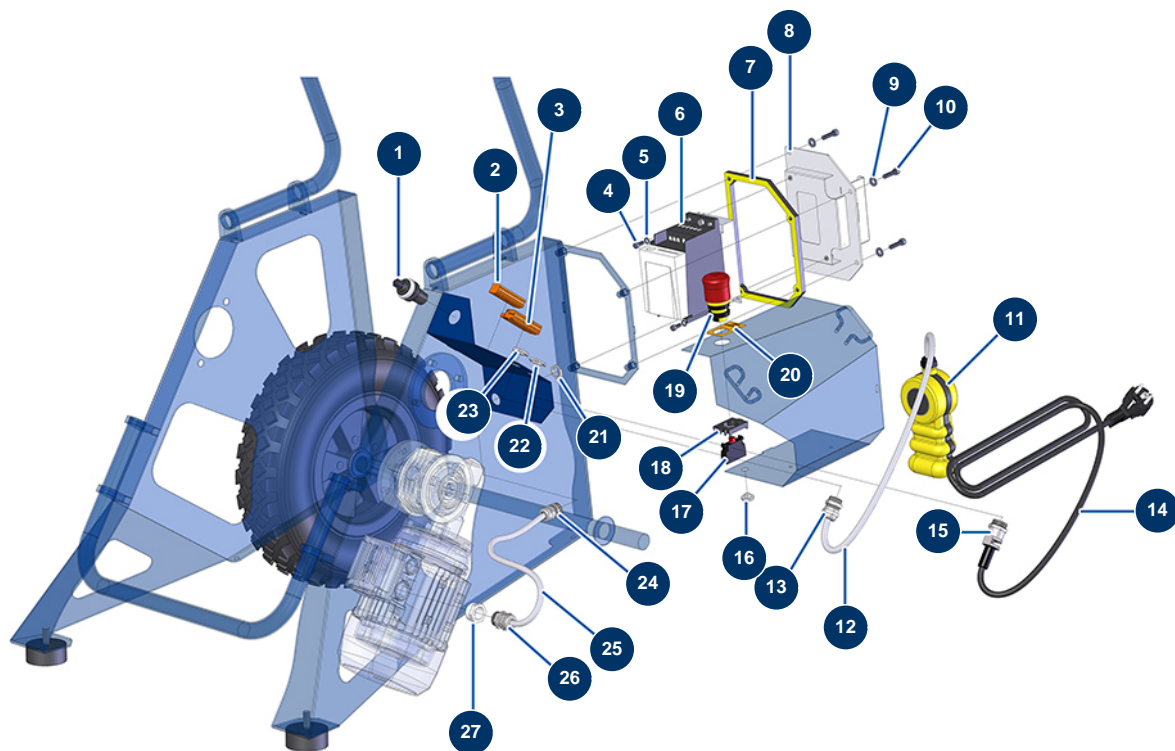


### Détails des pièces

Pos.	Référence	Désignation
1	C21567	1
2	C21548	2
3	80260	∅ 8 inox medium washer
3	80260	∅ 8 inox medium washer
3	80260	∅ 8 inox medium washer
4	12111	8 x 20 inox cylindrical pan head screw
5	C21566	5
6	13583	6
7	80614	6 x 25 inox cylindrical head screw
8	80259	∅ 6 medium washer
9	90282	∅25 chromed clip
10	80003	∅400 complete wheel with shaft of 25 for 100TH, MPE 300
11	90996	6 x 20 inox cylindrical head screw

Pos.	Référence	Désignation
12	30291	ø 6 large washer
13	80263	Very large inox washer Ø 8
14	30042	Speed reducer 90° - T40 - R30 - B14/T71
15	30008	Electric motor 0,55 kW - T71 - B14 -1400 rpm - 400V
16	90196	Ø 60 x 25 M10 stop
17	80261	ø 10 inox medium washer
17	80261	ø 10 inox medium washer
18	13981	M 10 nylstop inox nut
18	13981	M 10 nylstop inox nut
18	13981	M 10 nylstop inox nut
19	90751	6 x 6 x 50 parallel key with round end for 4P
20	30250	THEF 8 x 40 screw
21	C21550	21
22	13980	M 8 nylstop inox nut
23	C21552	23
24	13662	24
25	12916	Straight revolving coupling 1" M/F
26	30257	THEF 10 x 25 screw
27	30280	ø 10 inox narrow washer

## L empty motorised hose reel without hose - Electrical box



### Détails des pièces

Pos.	Référence	Désignation
1	80645	Spraying machine complete potentiometer from MARCH 2003
2	11772	12 pins female connector
3	11771	12 pins male connector
4	90161	5 x 12 inox cylindrical head screw
5	70085	ø 5 narrow washer
6	12098	Inverter 230 V - 0,55 KW
7	13583	7
8	C21566	8
9	80259	Ø 6 medium washer
10	80614	6 x 25 inox cylindrical head screw
11	11921	Blowing machine 2-button wired remote control box
12	11964	H05VVF 4G1 grey electrical cable by the metre
13	30040	Nickel plated watertight cable gland of 11 CEM

Pos.	Référence	Désignation
14	90180	Supply cable with moulded plug 3G 1,5 mm <sup>2</sup>
15	80450	cable gland for 11mm supply cable
16	80397	Water exhaust cork for electrical box
17	30356	Red single open contact
18	30036	3-contact U-bolt
19	90727	Hook emergency stop button - CP 60
20	90016	Square EMERGENCY STOP label
21	11327	Cable gland locknut of M16
22	30060	11mm cable gland nut
23	30333	Cable gland locknut of 11 CEM
24	30082	Nickel plated watertight cable gland of 11
25	90606	Shielded cable 4 x 1,5 by the metre
26	30332	13mm nickel plated sealed cable gland
27	80446	Cable gland reduction M 25-11