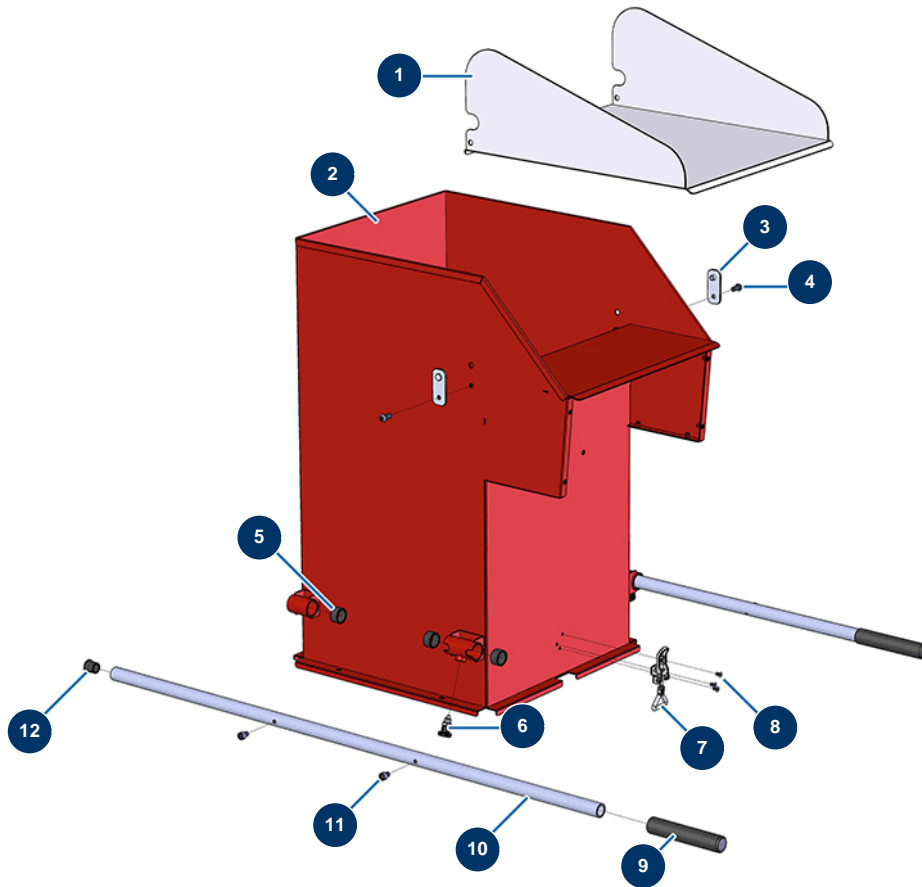


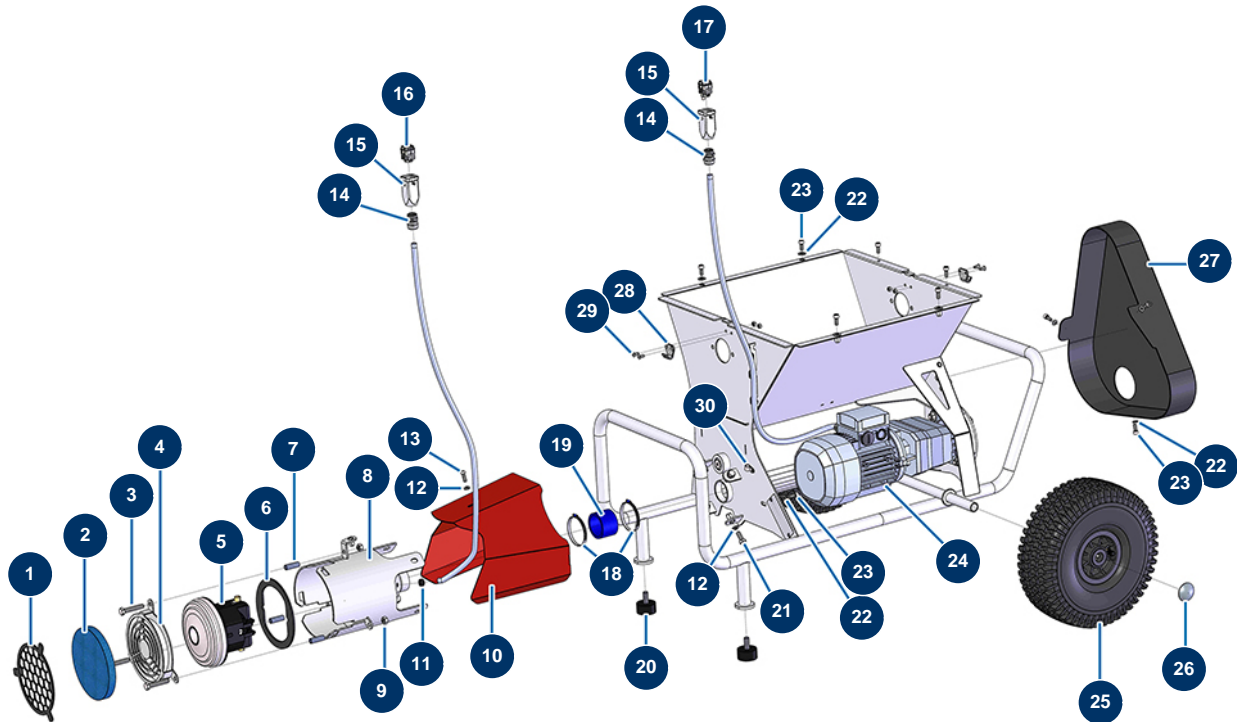
TURBISOL 56/2 blowing machine - Tank



Détails des pièces

Pos.	Référence	Désignation
1	C20621	TURBISOL 56 Evo 2, 112/2 & 164/2 blowing machine closing trap
2	C22589	TURBISOL 56 Evo 2, 112/2 & 164/2 blowing machine upper hopper
3	C20623	TURBISOL 56 Evo 2, 112/2 & 164/2 blowing machine trap fixing support
4	12111	8 x 20 inox cylindrical pan head screw
5	13453	Cylindrical bearing 26/30 x 16
6	13454	M12 X 1.5 indexage pin
7	15021	Adjustable toggle without hook
8	90130	5 x 16 countersunk head screw
9	90255	Arm handle for EUROPRO 24P, E50 and E100
10	C21326	JETMIX 80 / Blowing machine arm
11	90151	8 x 10 cylindrical head screw
12	90870	Black plastic end cap for ø 25 round tube

TURBISOL 56/2 blowing machine - Chassis



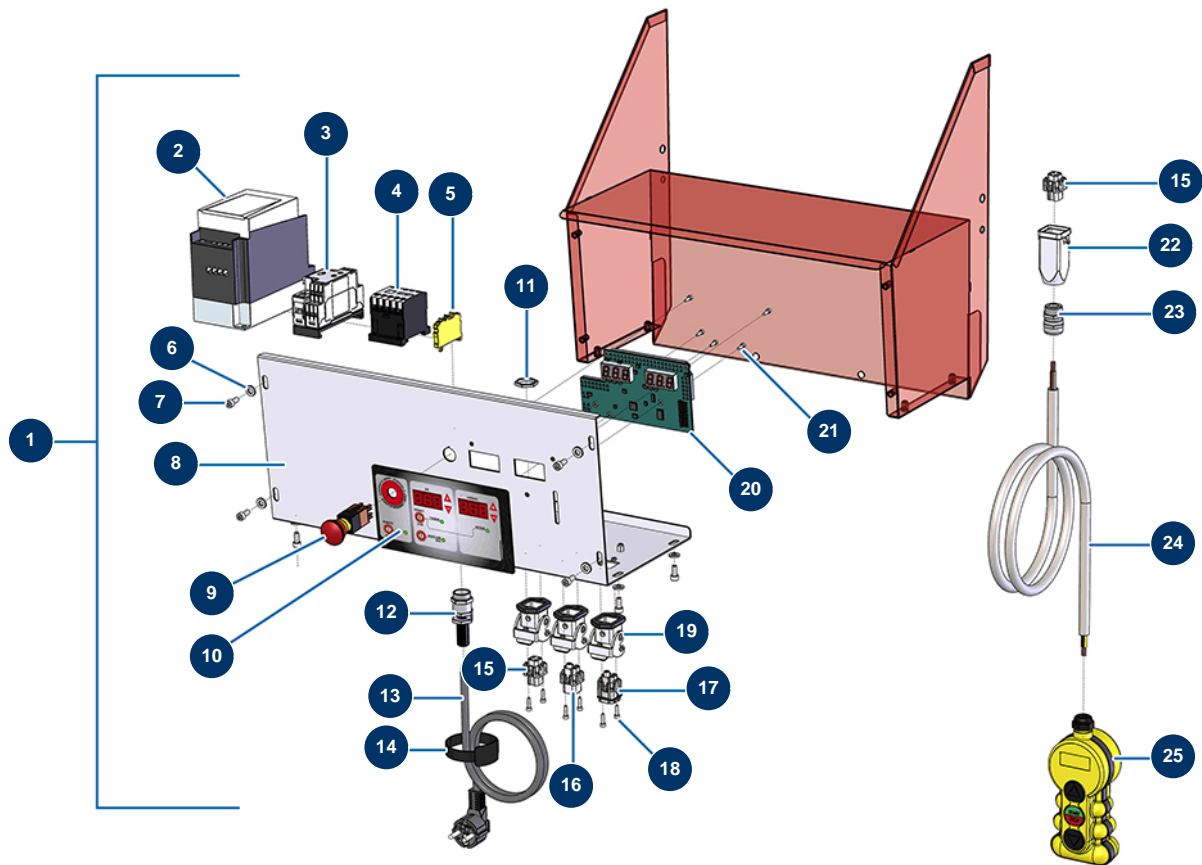
Détails des pièces

Pos.	Référence	Désignation
1	C22584	TURBISOL 56 Evo 2 blowing machine filter grid
2	14545	Foam filter ø 146 Thickness 20 mm
3	11798	THEF 8 x 45 screw
4	C22582	TURBISOL 56 Evo 2 blowing machine turbine safety grid
5	13556	1-stage turbine - 230V
6	14546	TURBISOL 56 Evo 2 turbine bearing gasket
7	M10667	TURBISOL 56 Evo 2 blowing machine turbine spacer
8	C22579	TURBISOL 56 Evo 2 blowing machine turbine body
9	13980	M 8 nylstop inox nut
10	C22647	TURBISOL 56 Evo 2 blowing machine turbine carter
11	13399	Ø6 rubber grommet
12	80260	ø 8 inox medium washer
12	80260	ø 8 inox medium washer

Pos.	Référence	Désignation
13	12110	6 x 20 inox cylindrical pan head screw
14	30082	Nickel plated watertight cable gland of 11
14	30082	Nickel plated watertight cable gland of 11
15	11916	Blowing machine insulating cover 3 p + T
15	11916	Blowing machine insulating cover 3 p + T
16	11913	Blowing machine male insert 4 p + T
17	11911	Blowing machine male insert 3 p + T
18	11752	Worm gear clamp 50 x 70 x 9
19	11971	Blowing machine hose Ø 48 x Length 40 mm
20	30145	Ø 40 x 20 M10 stop
21	30273	THEF 8 x 20 screw
22	80259	Ø 6 medium washer
22	80259	Ø 6 medium washer
22	80259	Ø 6 medium washer
23	12112	6 x 12 cylindrical head screw
23	12112	6 x 12 cylindrical head screw
23	12112	6 x 12 cylindrical head screw
24	11908	Geared motor 0,55 kW - TC122 - R29,5 - 1400 rpm - 400V
25	90692	Complete wheel 300 shaft of 20
26	90281	Ø20 chromed clip
27	12845	TURBISOL 56 & 112 blowing machine pulley protective crankcase
28	15022	Adjustable toggle locking hook
29	90130	5 x 16 countersunk head screw
30	90266	Cable support Ø 7.9

Pos.	Référence	Désignation
11	14402	19 teeth triple sprocket for blowing machine
12	11991	Ø 16 outer circlip
13	12210	Blowing machine distributor Ø 42 inner circlip
14	12318	Ø 20 outer circlip
15	12944	TURBISOL 112 blowing machine distributor bearing with conical holder
16	30258	THEF 10 x 30 screw
17	80261	ø 10 inox medium washer
17	80261	ø 10 inox medium washer
18	C20046	Blowing machine transmission single chain tensioner
18a	30666	Blowing machine transmission complete chain tensioner
19	30257	THEF 10 x 25 screw
20	11904	Blowing machine 20 x 24 x 20 small flange bearing
21	80262	Very large inox washer Ø 6
22	30273	THEF 8 x 20 screw
22	30273	THEF 8 x 20 screw
23	80260	ø 8 inox medium washer
23	80260	ø 8 inox medium washer
23	80260	ø 8 inox medium washer
24	90127	M 8 nylstop nut
25	11900	Flange bearing ø 20 - 2 points for blowing machine
26	C20023	TURBISOL 56 flow adjustment flap
27	11907	Felt gasket Ø 20 x 40 for TURBISOL 56, 112 & 164 blowing machine
27	11907	Felt gasket Ø 20 x 40 for TURBISOL 56, 112 & 164 blowing machine
28	M10787	TURBISOL 56, 112 & 164 hexagonal distributor shaft
29	12000	6 x 6 x 29 parallel key with round end
30	C23153	TURBISOL 56, 112 & 164 hexagonal rotating distributor
31	C20040	Blowing machine paddle fixing detachable support
32	11992	Set of 6 foam-rubber blades for version 2 blowing machine distributor
33	14217	M 6 nylstop inox nut
33	14217	M 6 nylstop inox nut
34	C22866	TURBISOL 56 Evo2 spiral carding paddle
35	C22864	Single 5-blades mixing shaft for TURBISOL 56 Evo2, 112 & 164
36	12001	5 x 5 x 28 parallel key with round end
37	C23123	TURBISOL 200 star-shaped carding paddle ø280

TURBISOL 56/2 blowing machine - Electrical box

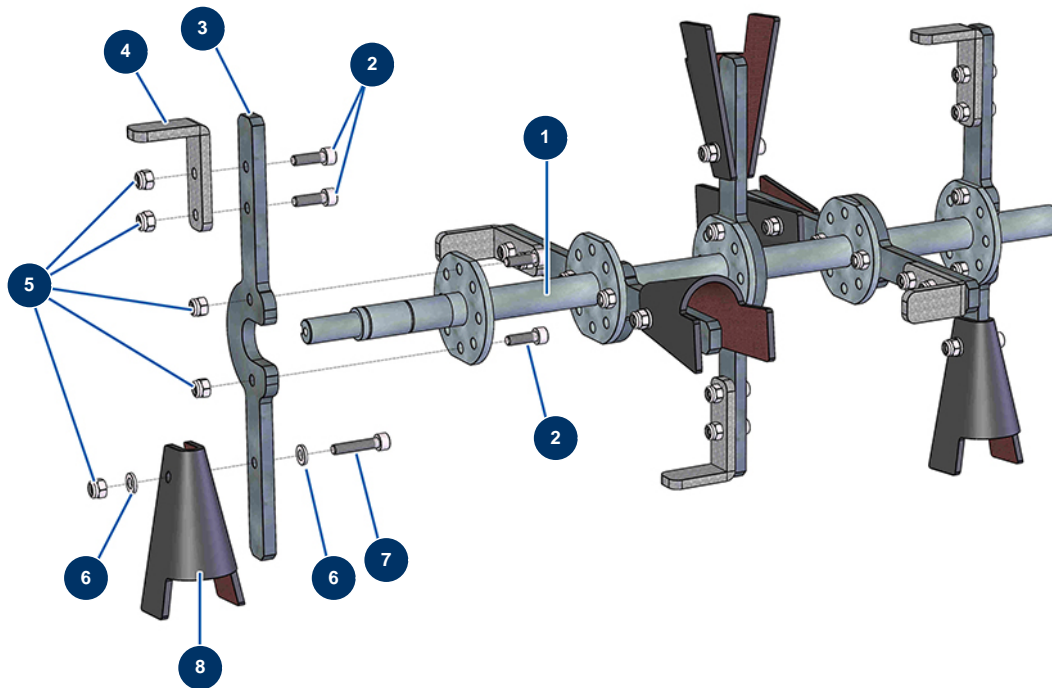


Détails des pièces

Pos.	Référence	Désignation
1	14520	Complete membrane electrical box for TURBISOL 56/2
2	12098	Inverter 230 V - 0,55 KW
3	14866	12A/230V dimmer for TURBISOL 56/112
4	11918	Coil contactor 24 Volt AC
5	30038	Yellow and green conductive block 6 mm ²
6	30290	ø 5 large washer
7	90160	5 x 16 cylindrical head screw
8	C20620	Membrane electrical box door for TURBISOL 112/2 & 164/2
9	13015	Hanging EMERGENCY STOP button Ø16
10	13013	TURBISOL front with membrane
11	30060	11mm cable gland nut
12	80450	cabl e gland for 11mm supply cable
13	90180	Supply cable with moulded plug 3G 1,5 mm ²

Pos.	Référence	Désignation
14	12410	Self-gripping collar with loop 12,7 x 228 mm
15	11914	Female insert 4p + G
15	11914	Female insert 4p + G
16	11912	Blowing machine female insert 3 p + T
17	11913	Blowing machine male insert 4 p + T
18	12249	3 x 12 cylindrical head screw
19	11915	Blowing machine insulating support 3 p + T - 1 lever
20	30676	TURBISOL 56 & CARDISOL 2 blowing machine electronic card
21	310011	3 x 10 cylindrical head screw
22	11916	Blowing machine insulating cover 3 p + T
23	30082	Nickel plated watertight cable gland of 11
24	11919	H05VVF 4G1 grey electrical cable x 25 metres
25	11921	Blowing machine 2-button wired remote control box

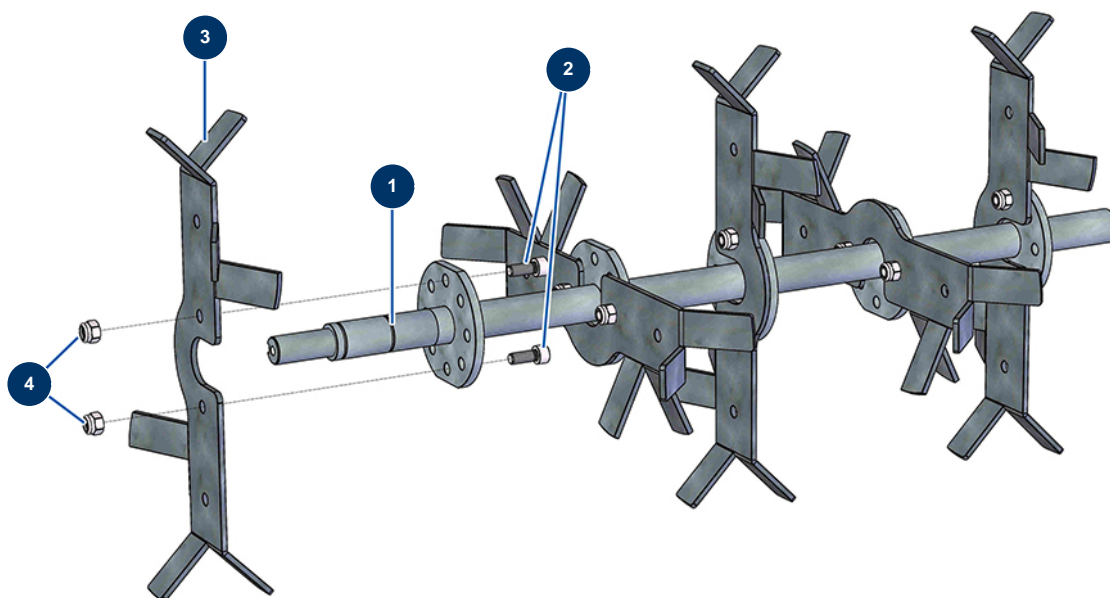
TURBISOL 56/2 blowing machine - Carding shaft with adjustable blades



Détails des pièces

Pos.	Référence	Désignation
1	C22864	Single 5-blades mixing shaft for TURBISOL 56 Evo2, 112 & 164
2	90996	6 x 20 inox cylindrical head screw
2	90996	6 x 20 inox cylindrical head screw
3	C22867	TURBISOL 164 straight carding paddle
4	C20692	TURBISOL mixing claw, 45 mm
5	14217	M 6 nylstop inox nut
6	80259	Ø 6 medium washer
6	80259	Ø 6 medium washer
7	90153	6 x 30 cylindrical head screw
8	11906	Blowing machine mixer foam-rubber square

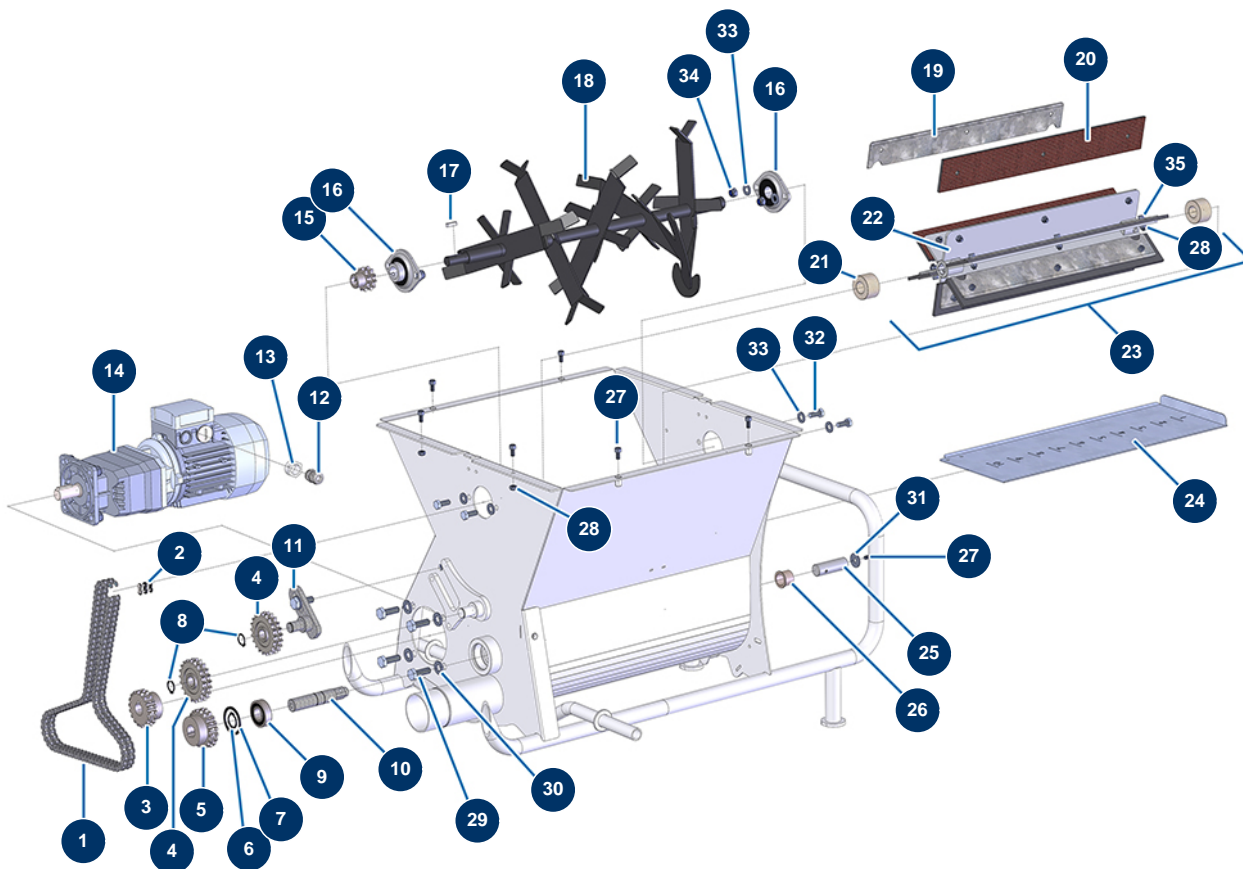
TURBISOL 56/2 blowing machine - Carding shaft with simple blades



Détails des pièces

Pos.	Référence	Désignation
1	C22864	Single 5-blades mixing shaft for TURBISOL 56 Evo2, 112 & 164
2	90157	M6 x 16 cylindrical head screw - CP 60
3	C22865	TURBISOL 56 Evo2 simple carding paddle
4	14217	M 6 nylstop inox nut

TURBISOL 56/2 blowing machine - Transmission (up to 05/2021)



Détails des pièces

Pos.	Référence	Désignation
1	14398	Blowing machine triple chain Lg. 934 mm (98 links) with quick coupling
2	11989	Version 2 blowing machine double chain quick fit attachment
3	11985	Version 2 blowing machine 18-tooth double sprocket
4	11987	Version 2 blowing machine 21-tooth idler sprocket
4	11987	Version 2 blowing machine 21-tooth idler sprocket
5	11986	Version 2 blowing machine 19-tooth double sprocket
6	12318	Ø 20 outer circlip
7	12210	Blowing machine distributor Ø 42 inner circlip
8	11991	Ø 16 outer circlip
9	12944	TURBISOL 112 blowing machine distributor bearing with conical holder
10	M10013	Version 2 blowing machine distributor long axis from AUGUST 2010
11	C20046	Blowing machine transmission single chain tensioner
12	30040	Nickel plated watertight cable gland of 11 CEM

Pos.	Référence	Désignation
13	80446	Cable gland reduction M 25-11
14	11908	Geared motor 0,55 kW - TC122 - R29,5 - 1400 rpm - 400V
15	14522	11-tooth double sprocket, pitch 9.525 Version Evo 2
16	11900	Flange bearing ø 20 - 2 points for blowing machine
16	11900	Flange bearing ø 20 - 2 points for blowing machine
17	12001	5 x 5 x 28 parallel key with round end
18	C22559	
19	C20040	Blowing machine paddle fixing detachable support
20	11992	Set of 6 foam-rubber blades for version 2 blowing machine distributor
21	11907	Felt gasket Ø 20 x 40 for TURBISOL 56, 112 & 164 blowing machine
22	C20290	Version 2 blowing machine rotating distributor from AUGUST 2010
23	12291	
24	C20023	TURBISOL 56 flow adjustment flap
25	M10014	Version 2 blowing machine distributor short axis from AUGUST 2010
26	11904	Blowing machine 20 x 24 x 20 small flange bearing
27	90157	M6 x 16 cylindrical head screw - CP 60
27	90157	M6 x 16 cylindrical head screw - CP 60
28	14217	M 6 nylstop inox nut
28	14217	M 6 nylstop inox nut
29	30258	THEF 10 x 30 screw
30	80261	ø 10 inox medium washer
31	80262	Very large inox washer Ø 6
32	30273	THEF 8 x 20 screw
33	80260	ø 8 inox medium washer
33	80260	ø 8 inox medium washer
34	13980	M 8 nylstop inox nut
35	90996	6 x 20 inox cylindrical head screw