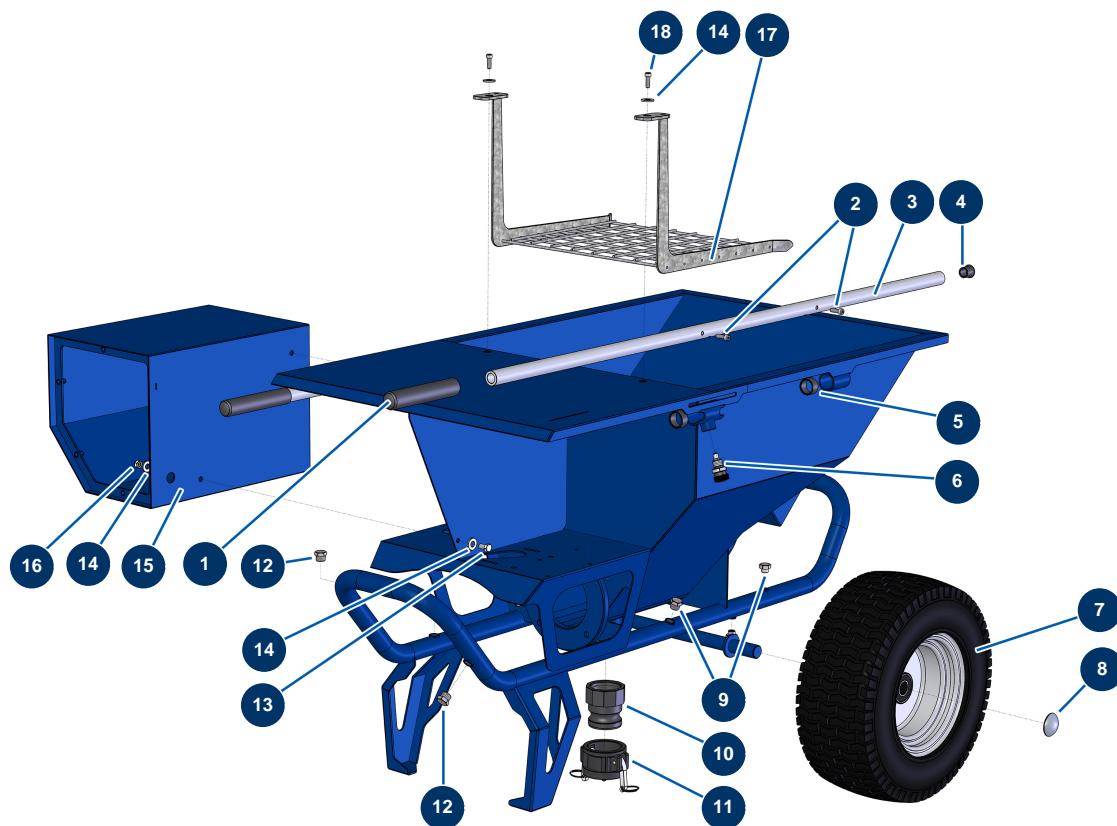


COMPACT-PRO JOINT 20 spraying machine - Chassis

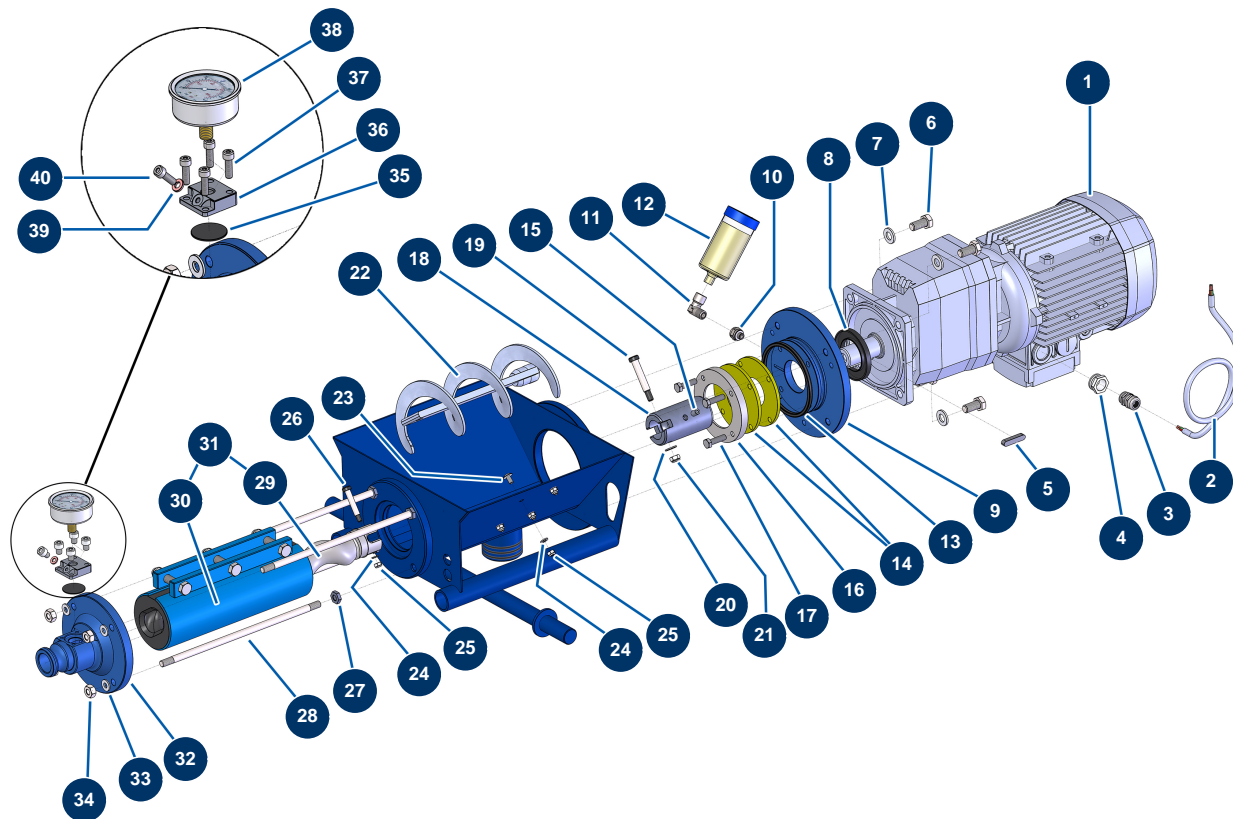


Détails des pièces

Pos.	Référence	Désignation
1	90255	Arm handle for EUROPRO 24P, E50 and E100
2	90151	8 x 10 cylindrical head screw
3	C21327	COMPACT-PRO 30 to 55 machine arm from March 2020
4	90870	Black plastic end cap for ø 25 round tube
5	13453	Cylindrical bearing 26/30 x 16
6	15010	Complete indexing pin for arm
7	80372	Complete Ø410 wheel with bearing - axle of 25
8	90282	Ø25 chromed clip
9	30118	1/4" low-pressure male plug
10	11396	POLYPRO 2" inner threaded adapter for COMPACT-PRO 30
11	11397	POLYPRO 2" female plug with cams for COMPACT-PRO 30
12	90238	3/8" low-pressure male plug
12	90238	3/8" low-pressure male plug

Pos.	Référence	Désignation
13	30295	THEF 8 x 16 screw
14	80260	∅ 8 inox medium washer
14	80260	∅ 8 inox medium washer
14	80260	∅ 8 inox medium washer
15	11355	24-M hopper box
16	13980	M 8 nylstop inox nut
17	11379	COMPACT-PRO 30, 35, 40 & 50 machine safety grid
18	80470	8 x 20 cylindrical head screw

COMPACT-PRO JOINT 20 spraying machine - Transmission

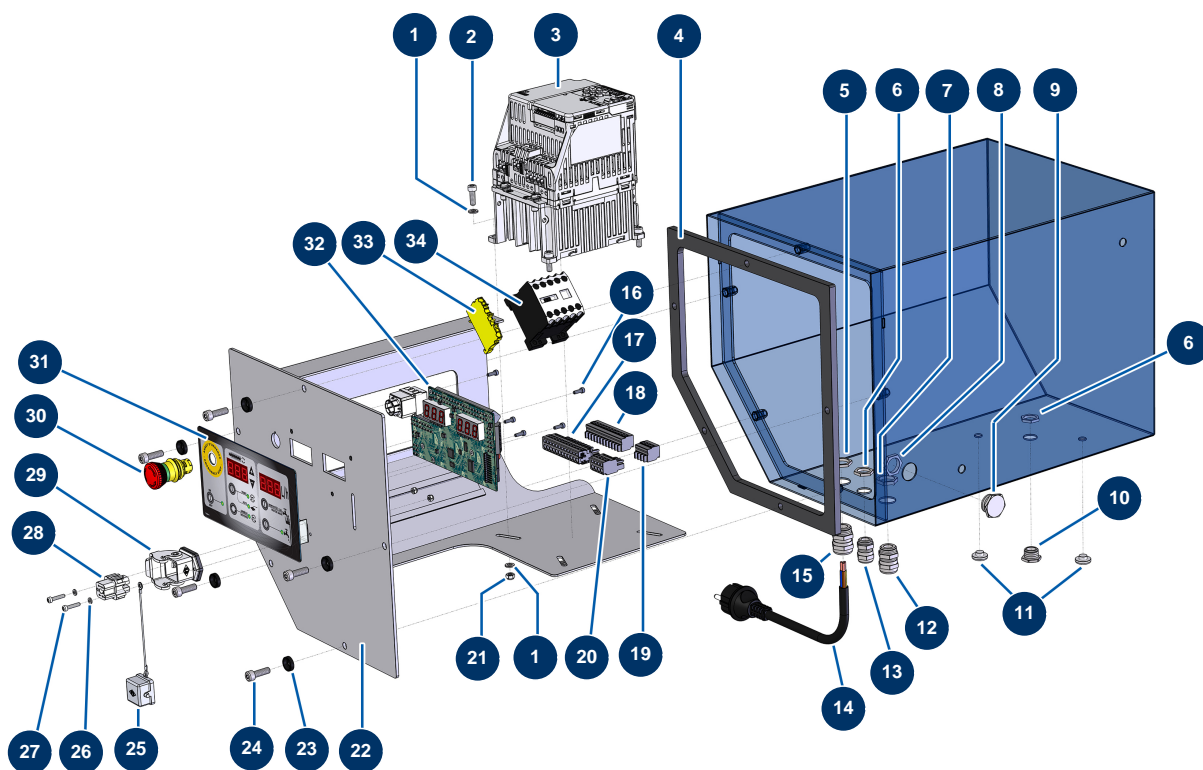


Détails des pièces

Pos.	Référence	Désignation
1	12059	Geared motor 1,5 kW - TC322 - R18,1 - 1400 rpm - 400V
2	90606	Shielded cable 4 x 1,5 by the metre
3	30082	Nickel plated watertight cable gland of 11
4	80446	Cable gland reduction M 25-11
5	11999	8 x 7 x 40 parallel key with round end
6	12251	THEF 12 x 25 screw
7	30281	ø 12 inox narrow washer
8	70107	Spi seal 50 x 80 x 8 for 24P,24PT, MPE300, COMPACT-PRO 30
9	11334	Motor spacer flange for COMPACT-PRO
10	10899	1/8" MaleD x 1/4" FemaleD low-pressure nipple
11	30121	90° low-pressure elbow 1/4 MaleC x 1/4 FemaleD
12	90639	Automatic greaser
13	11337	COMPACT-PRO 30 4-lobes seal for motor spacer flange

Pos.	Référence	Désignation
14	11300	COMPACT-PRO 30 tank base gasket
15	11360	Socket head screw M 8 x 16
16	M10190	COMPACT-PRO 30 gasket support ring
17	30205	THEF 8 x 30 screw
18	11336	Drive shaft for CP 20, 30 & 40
19	11359	CP 30 transmission shaft screw pin
20	80260	ø 8 inox medium washer
21	13980	M 8 nylstop inox nut
22	11357	CP 30 to 50 connecting rod
23	14089	23
24	70087	ø 6 inox narrow washer
24	70087	ø 6 inox narrow washer
25	14217	M 6 nylstop inox nut
25	14217	M 6 nylstop inox nut
26	90520	CP 30 rotor screw pin
27	10140	M10 flat nut
28	60010	Fastening tie rod for MAP 5/6
29	MI7009107300	EUROPRO MAP 5/6 pump rotor CP30-type head
30	MI3F00529400	EUROPRO MAP 6 D8-1,5 adjustable pump stator
31	30446	EUROPRO MAP 6 pump rotor/stator kit
32	90125	EUROPRO 24 P and COMPACT-PRO 30 stator flange
33	80261	ø 10 inox medium washer
34	13978	M10 inox nut
35	MI4920006000	Membrane
36	M10079	MIXPRO 14 cage cover
37	90996	6 x 20 inox cylindrical head screw
38	80070	Axial manometer 1/4" conical oil 50 mm 0 to 60 bar
39	12765	Copper seal for JETPRO 80 pump nose
40	12625	6 x 8 cylindrical head screw

COMPACT-PRO JOINT 20 spraying machine - Electrical box



Détails des pièces

Pos.	Référence	Désignation
1	70085	ø 5 narrow washer
1	70085	ø 5 narrow washer
2	90160	5 x 16 cylindrical head screw
3	80458	Inverter 230 V - 1,5 kW
4	11361	EUROPRO COMPACT-PRO 30 electric box gasket
5	30054	Cable gland locknut of 13
6	11327	Cable gland locknut of M16
6	11327	Cable gland locknut of M16
7	30333	Cable gland locknut of 11 CEM
8	11197	M 20 cable gland nut
9	80443	IM 20 electric plug
10	80442	Electric plug for IM 16
11	80397	Water exhaust cork for electrical box

Pos.	Référence	Désignation
12	30040	Nickel plated watertight cable gland of 11 CEM
13	80445	Watertight cable gland of M16
14	90214	Power cable with molded plug 3G 2,5 mm ²
15	30332	13mm nickel plated sealed cable gland
16	310011	3 x 10 cylindrical head screw
17	11771	12 pins male connector
18	11772	12 pins female connector
19	12755	4-pin female connector
20	12754	4-pin male connector
21	70086	M 5 nylstop inox nut
22	C22947	22
23	80573	Hollow washer Ø 6
24	90996	6 x 20 inox cylindrical head screw
25	12535	2 PIV cover with MIXPRO 14 gasket
26	12108	ø 3 inox narrow washer
27	12250	3 x 16 cylindrical head screw
28	11914	Female insert 4p + G
29	11915	Blowing machine insulating support 3 p + T - 1 lever
30	13015	Hanging EMERGENCY STOP button Ø16
31	13006	COMPACT PRO front with membrane
32	30672	COMPACT-PRO 30, 35 & 40 electronic card
33	30038	Yellow and green conductive block 6 mm ²
34	11918	Coil contactor 24 Volt AC