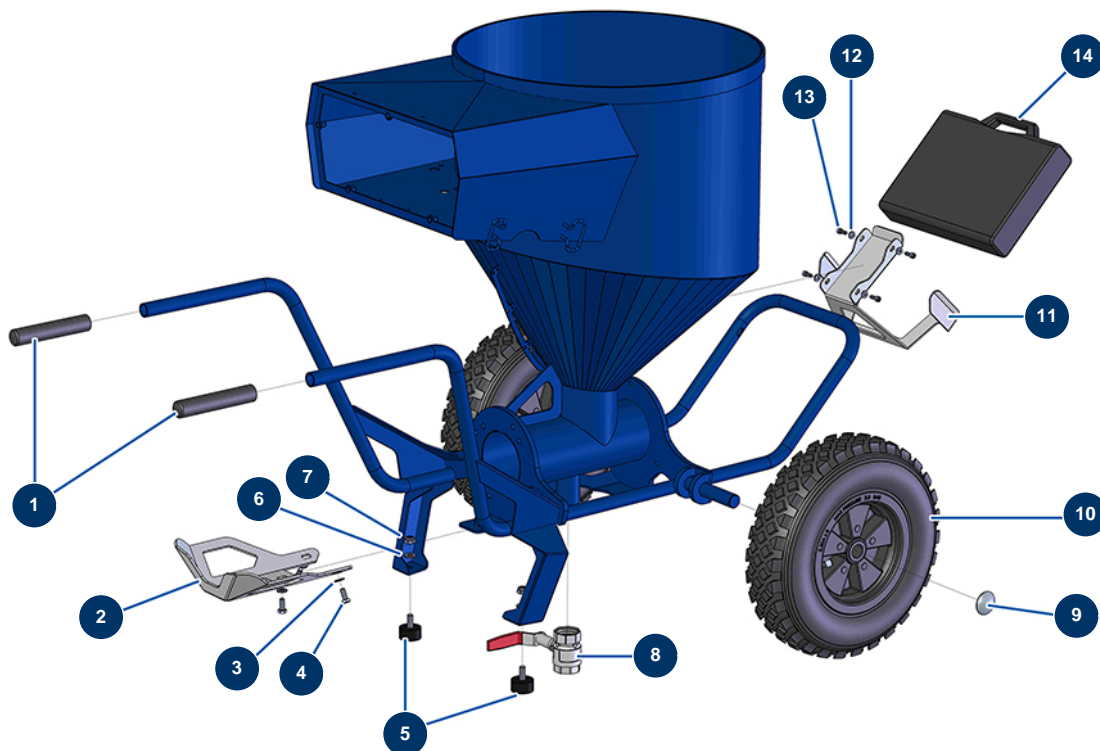


## JETPRO 120-7 complete atomizer - Chassis

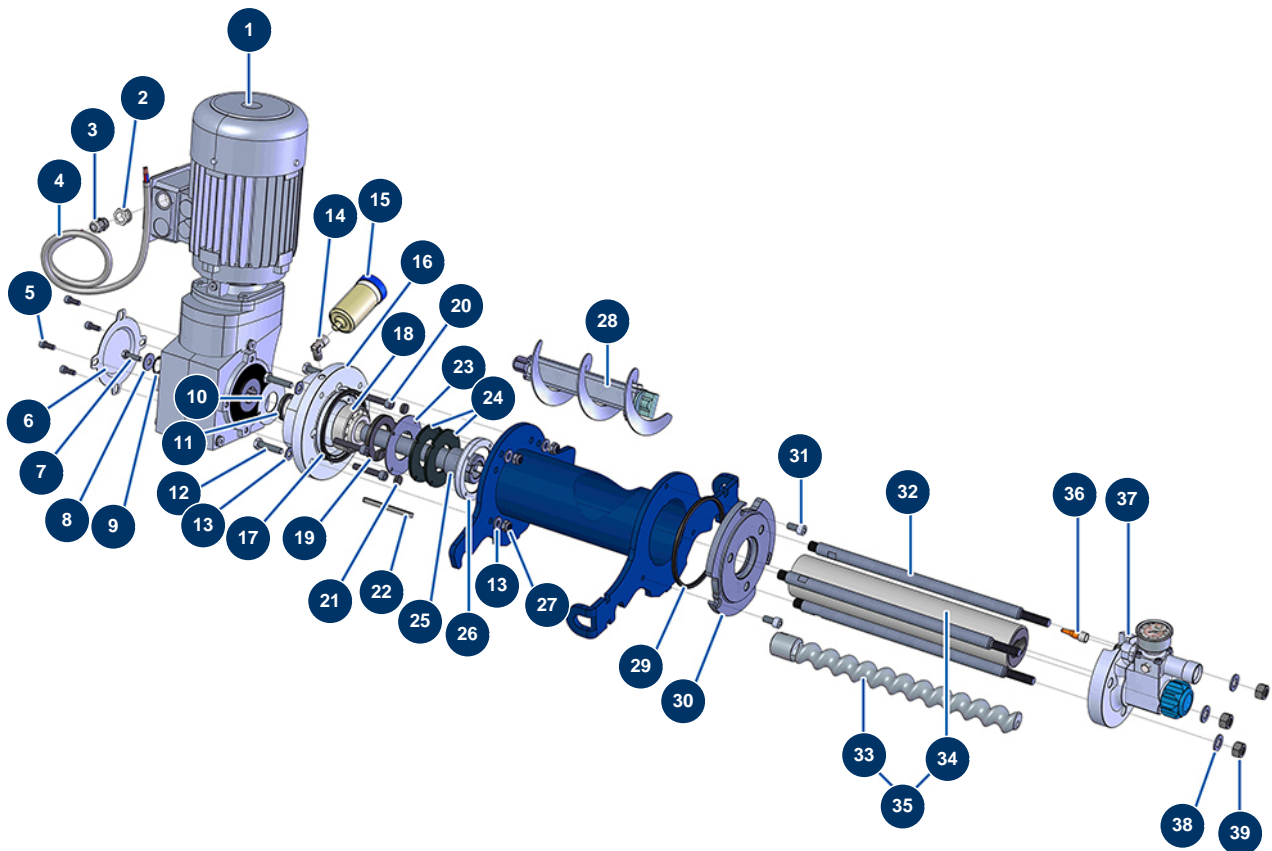


### Détails des pièces

Pos.	Référence	Désignation
1	90255	Arm handle for EUROPRO 24P, E50 and E100
2	C22683	2
3	80260	ø 8 inox medium washer
4	30273	THEF 8 x 20 screw
5	30145	Ø 40 x 20 M10 stop
6	80261	ø 10 inox medium washer
7	13981	M 10 nylstop inox nut
8	14584	EUROPRO DROPPRO 30P drain valve
9	90282	Ø25 chromed clip
10	80003	Ø400 complete wheel with shaft of 25 for 100TH, MPE 300
11	C22709	11
12	80259	Ø 6 medium washer
13	90157	M6 x 16 cylindrical head screw - CP 60

Pos.	Référence	Désignation
14	90603	Empty case for lance

## JETPRO 120-7 complete atomizer - Transmission

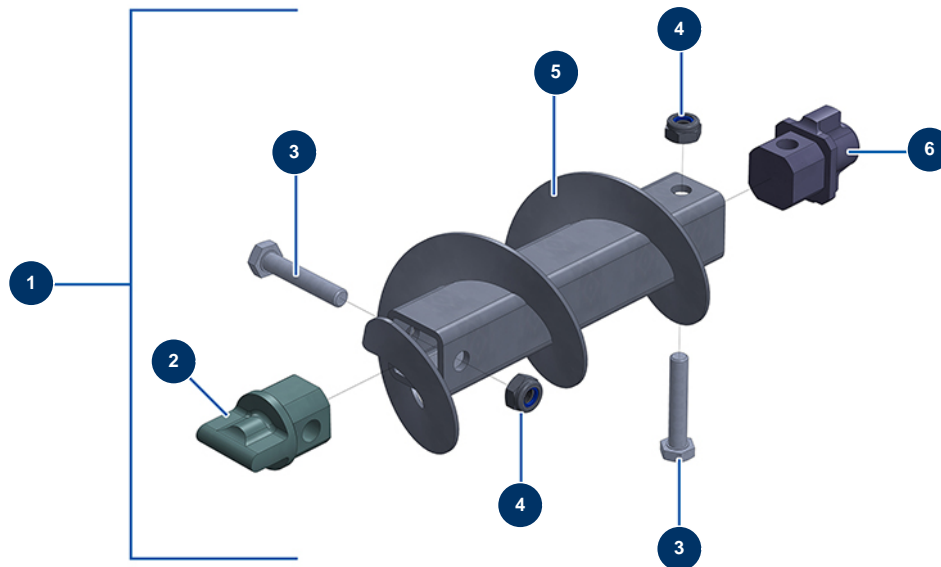


### Détails des pièces

Pos.	Référence	Désignation
1	12787	Geared motor 3 kW - T100 - R6,67 - 1400 rpm - 400V
2	80446	Cable gland reduction M 25-11
3	30040	Nickel plated watertight cable gland of 11 CEM
4	12774	Shielded cable 4 x 2,5 by the metre
5	90157	M6 x 16 cylindrical head screw - CP 60
6	C20979	Reduction gear metallic cover for JETPRO 120
7	11544	THEF 8 x 25 screw
8	30293	ø 10 inox large washer
9	13362	Ø 30 inner circlip
10	C21713	JETPRO spi gasket holding washer Ø 79,5
11	13755	Spi seal 35 x 47 x 7
12	12441	THEF 10 x 45 screw
13	80261	ø 10 inox medium washer

Pos.	Référence	Désignation
13	80261	ø 10 inox medium washer
14	30121	90° low-pressure elbow 1/4 MaleC x 1/4 FemaleD
15	90639	Automatic greaser
16	M10419	NORD Motor spacer flange for JETPRO 120
17	12506	4-lobes seal for JETPRO 80 flange
18	13660	35 x 80 x 31 thrust bearing for JETPRO
19	70107	Spi seal 50 x 80 x 8 for 24P,24PT, MPE300, COMPACT-PRO 30
20	13532	10 x 55 cylindrical head screw
21	13683	Rubber pad ø 17 Thickness 6 mm
22	90750	8 x 7 x 100 parallel key with round end for 24P et PT
23	C20822	Ø 105 spi seal holding washer for JETPRO
24	12507	Bottom of tank seal for JETPRO 80
25	M10348	Drive shaft for JETPRO 120 engine NORD
26	M10222	Flange seal for JETPRO 80 & 120
27	13981	M 10 nylstop inox nut
28	14868	JETPRO 120-7 reinforced connecting rod
29	12815	4-lobes seal for JETPRO / JETBAG 120 flange
30	M10350	JETPRO 120 flange
31	80668	10 x 20 cylindrical head screw
32	M10352	Fastening tie rod for JETPRO 120 and JETBAG 120
33	MI7009107700	EUROPRO JET 2 chromed pump rotor with bayonet head
34	MI3F00529100	EUROPRO JET 2-80SH pump stator
35	30791	EUROPRO JET 2 pump rotor/stator kit
36	12409	M12 straight female connector with 2m cable
37	14907	JETPRO 120-7 & 130-7 complete aluminium pump head
38	30286	ø 14 inox narrow washer
39	10036	M 14 nut

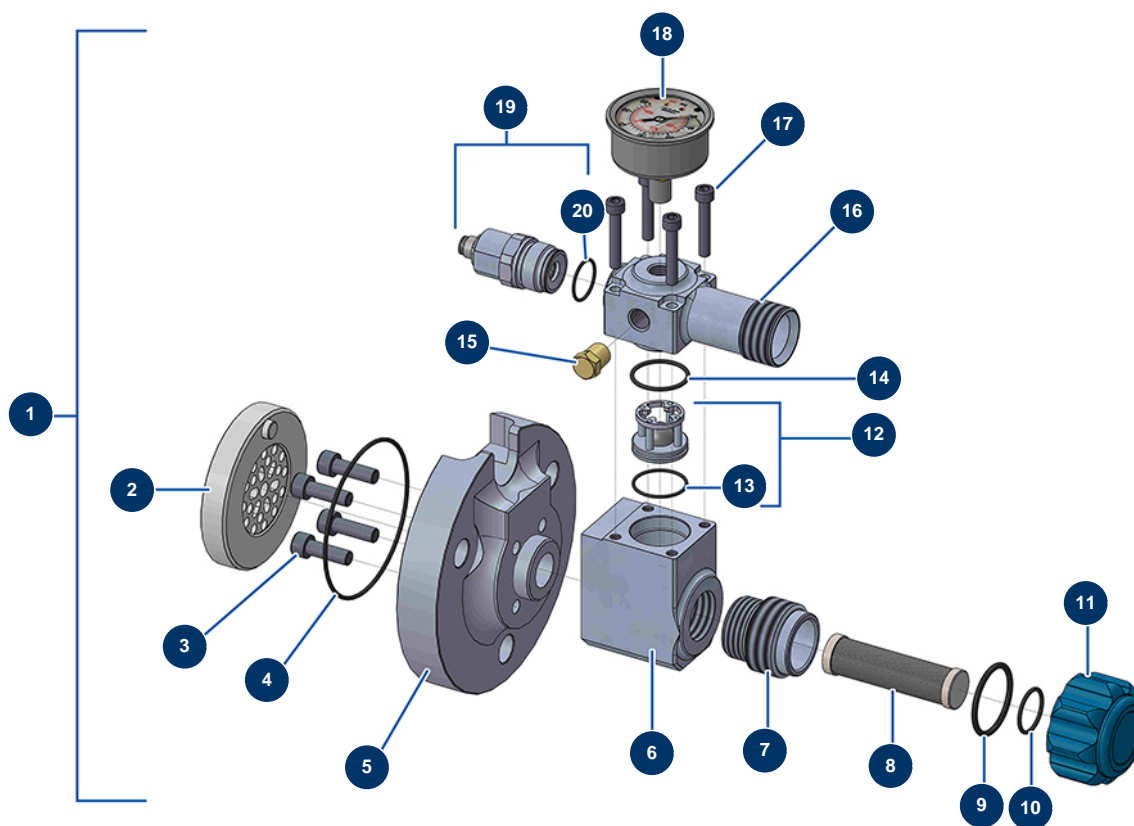
## JETPRO 120-7 complete atomizer - Reinforced transmission rod



### Détails des pièces

Pos.	Référence	Désignation
1	14868	JETPRO 120-7 reinforced connecting rod
2	M10783	Bearing pin for JETPRO 120 strengthened connecting rod - rotor side thick.10
3	13587	THEF M10 x 55 screw
3	13587	THEF M10 x 55 screw
4	13981	M 10 nylstop inox nut
4	13981	M 10 nylstop inox nut
5	C21474	Strengthened connecting rod for JETPRO, JETBAG 160
6	M10489	JETPRO 120-160 motor side ball joint

## JETPRO 120-7 complete atomizer - Flange

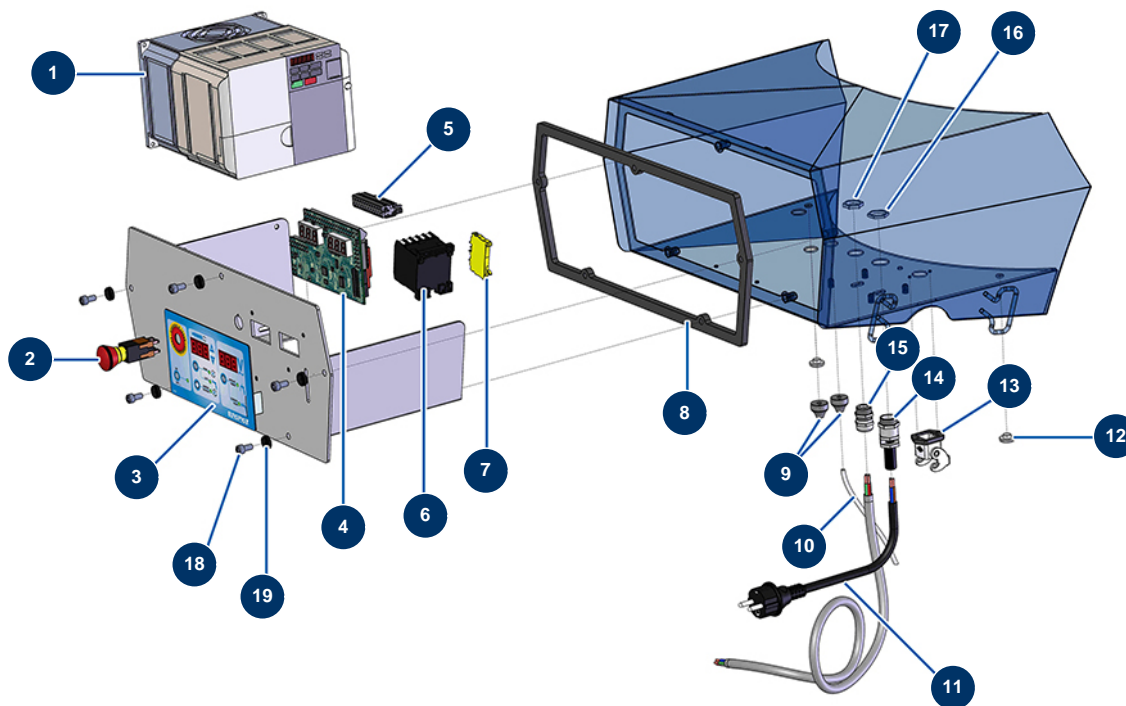


### Détails des pièces

Pos.	Référence	Désignation
1	14907	JETPRO 120-7 & 130-7 complete aluminium pump head
2	M10769	Ø70 centering grid for JETPRO 120-7 & 130-7 connecting flange
3	12783	8 x 25 cylindrical head screw
4	14906	86 x 2 O-ring
5	M10763	JETPRO 120-7, 130-7 & 160 connecting flange
6	M10768	JETPRO 120-7, 130-7 & 160 axial flange
7	M10782	MINIJET/JETPRO stator flange insert
8	30668	30 meshes filter for JETPRO spray-gun
9	14863	35 x 3 O-ring
10	14765	22 x 2 O-ring
11	M10708	Stator flange filter plug for MINIJET/JETPRO new generation
12	14789	Complete ball cage for MINIJET/JETPRO new generation
13	14607	27 x 1,5 O-ring

Pos.	Référence	Désignation
14	14764	28 x 2 O-ring
15	90842	1/4" high-pressure MaleC plug
16	M10810	Outer threaded high connector 1" for MINIJET/JETPRO flange
17	12567	6 x 35 cylindrical head screw
18	12623	50 mm axial manometer 1/4" conical - 0 to 160 bar
19	14976	250 Bar 4-20mA pressure sensor
20	14863	35 x 3 O-ring

## JETPRO 120-7 complete atomizer - Electrical box

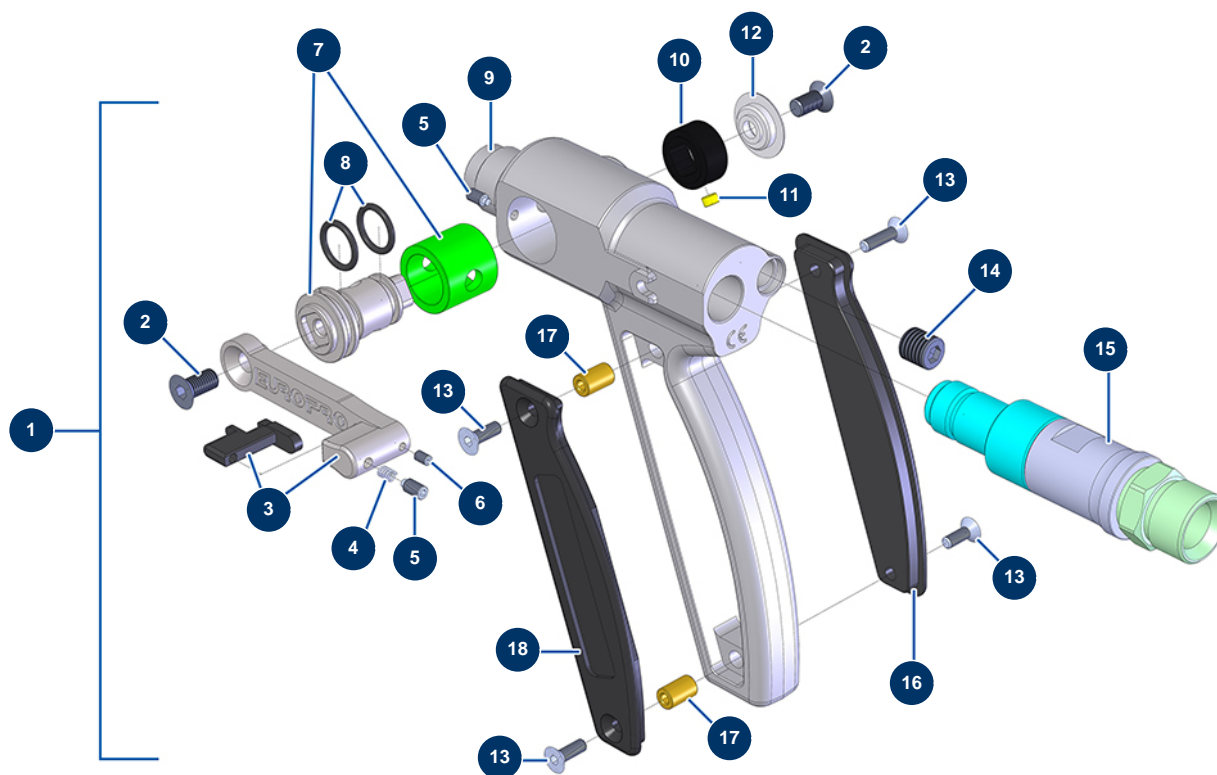


### Détails des pièces

Pos.	Référence	Désignation
1	12286	Inverter 230 V - 4 KW GA
2	13015	Hanging EMERGENCY STOP button Ø16
3	13009	Membrane front panel for JETPRO
4	30731	Electronic board for JETPRO 120
5	11771	12 pins male connector
6	11918	Coil contactor 24 Volt AC
7	30038	Yellow and green conductive block 6 mm <sup>2</sup>
8	14565	DROPPRO 30P electrical box gasket
9	11564	M 16 grey rubber cable gland
10	12409	M12 straight female connector with 2m cable
11	90214	Power cable with molded plug 3G 2,5 mm <sup>2</sup>
12	80397	Water exhaust cork for electrical box
13	11915	Blowing machine insulating support 3 p + T - 1 lever

Pos.	Référence	Désignation
14	80451	Brass cable gland of 13 for power cable
15	30082	Nickel plated watertight cable gland of 11
16	30054	Cable gland locknut of 13
17	30333	Cable gland locknut of 11 CEM
18	12112	6 x 12 cylindrical head screw
19	80573	Hollow washer Ø 6

## JETPRO 120-7 complete atomizer - Spray-gun



### Détails des pièces

Pos.	Référence	Désignation
1	14797	New generation MINIJET/JETPRO spray-gun, without nozzle holder & without nozzle
2	12849	6 x 12 countersunk head screw
2	12849	6 x 12 countersunk head screw
3	M07029	JETPRO spray-gun complete trigger
4	13589	Trigger spring for JETPRO spray-gun
5	13598	Countersunk head screw M4 x 8 inox
5	13598	Countersunk head screw M4 x 8 inox
6	12708	3 x 5 stainless steel socket head screw with flat tip
7	14222	Complete flue block/jacket for JETPRO spray-gun
8	11303	12 x 2 o-ring
9	M10290	JETPRO spray-gun body
10	M10240	JETPRO spray-gun detection stop
11	13031	Wireless remote control starting magnet Ø 5 x 3

Pos.	Référence	Désignation
12	M10303	JETPRO spray-gun supported washer
13	13912	4 x 16 countersunk head screw
13	13912	4 x 16 countersunk head screw
13	13912	4 x 16 countersunk head screw
13	13912	4 x 16 countersunk head screw
14	14793	M10 x 100 threaded plug (fine pitch)
15	M07056	Turning connector for JETPRO spray-gun
16	M10239	JETPRO spray-gun handle right cover
17	M10242	Axle for JETPRO spray-gun handle cover
17	M10242	Axle for JETPRO spray-gun handle cover
18	M10238	JETPRO spray-gun handle left cover

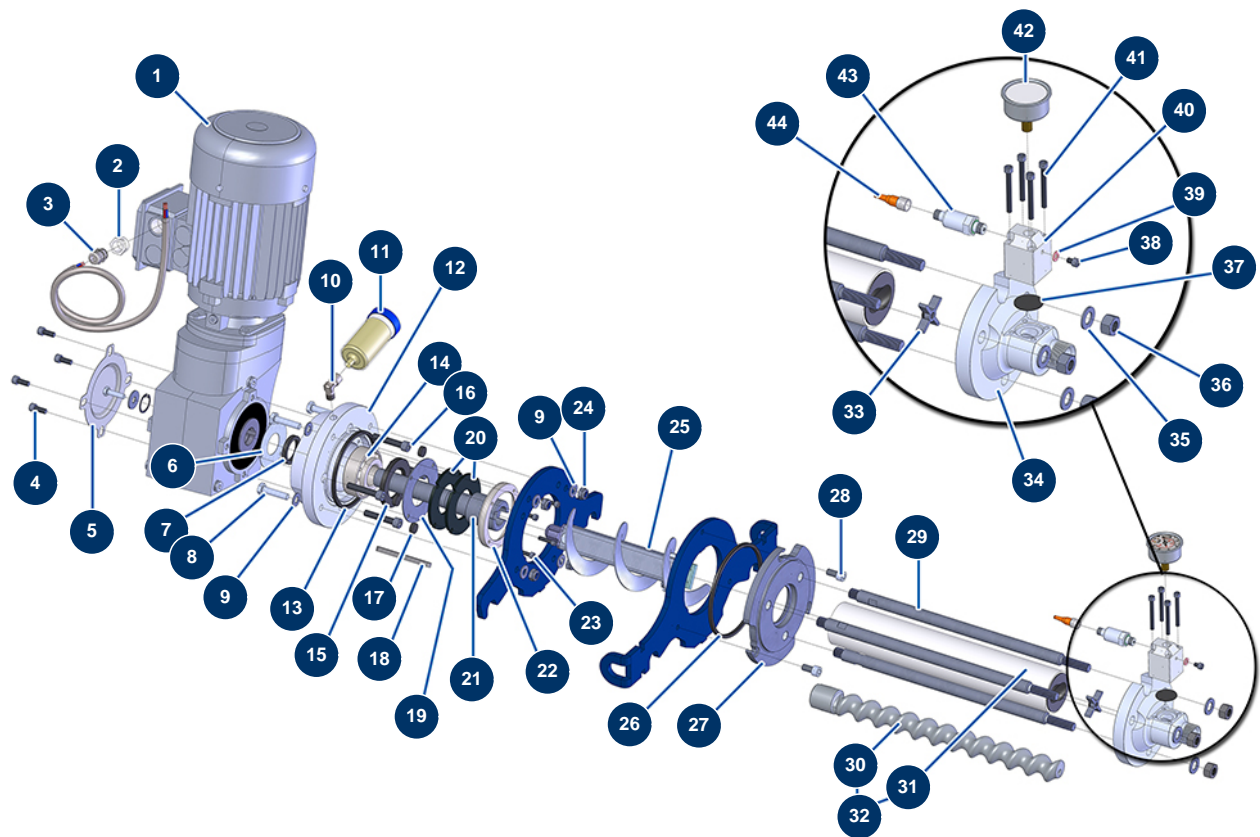
## JETPRO 120-7 complete atomizer - Hoses and extensions



### Détails des pièces

Pos.	Référence	Désignation
1	14804	∅ 16 x 2,5 m product hose, quick couplings F 1" x F1/2" MINIJET/JETPRO
2	14799	1" F quick coupling ∅ 16 corrugated for MINIJET/JETPRO
3	13651	2SC 5/8" black hose ∅ 16 standard marking
4	14798	1/2 "F quick coupling ∅ 16 corrugated for MINIJET/JETPRO
5	14805	∅ 19 x 30 m product hose, quick couplings F 1" x M 1" MINIJET/JETPRO
6	M10734	1" M corrugated ∅ 19 quick coupling for MINIJET/JETPRO
7	12426	3/4" black 2SC hose ∅ 19 standard marking
8	14800	1" F corrugated ∅ 19 quick coupling for MINIJET/JETPRO

## JETPRO 120-7 complete atomizer - Transmission (up to 09/2021)

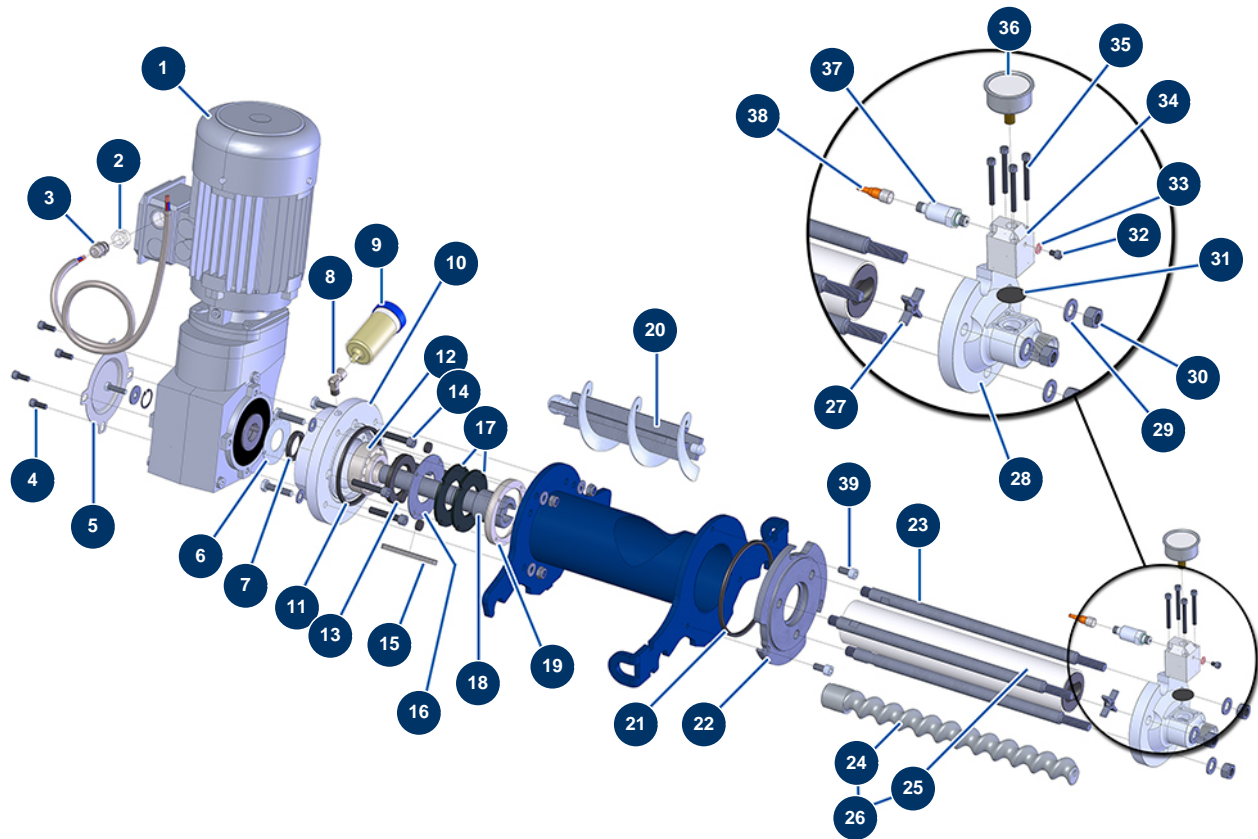


### Détails des pièces

Pos.	Référence	Désignation
1	12787	Geared motor 3 kW - T100 - R6,67 - 1400 rpm - 400V
2	80446	Cable gland reduction M 25-11
3	30040	Nickel plated watertight cable gland of 11 CEM
4	90157	M6 x 16 cylindrical head screw - CP 60
5	C20979	Reduction gear metallic cover for JETPRO 120
6	C21713	JETPRO spi gasket holding washer Ø 79,5
7	13755	Spi seal 35 x 47 x 7
8	12441	THEF 10 x 45 screw
9	80261	Ø 10 inox medium washer
9	80261	Ø 10 inox medium washer
10	30121	90° low-pressure elbow 1/4 MaleC x 1/4 FemaleD
11	90639	Automatic greaser
12	M10419	NORD Motor spacer flange for JETPRO 120

Pos.	Référence	Désignation
13	12506	4-lobes seal for JETPRO 80 flange
14	13660	35 x 80 x 31 thrust bearing for JETPRO
15	70107	Spi seal 50 x 80 x 8 for 24P,24PT, MPE300, COMPACT-PRO 30
16	13532	10 x 55 cylindrical head screw
17	13683	Rubber pad ø 17 Thickness 6 mm
18	90750	8 x 7 x 100 parallel key with round end for 24P et PT
19	C20822	Ø 105 spi seal holding washer for JETPRO
20	12507	Bottom of tank seal for JETPRO 80
21	M10348	Drive shaft for JETPRO 120 engine NORD
22	M10222	Flange seal for JETPRO 80 & 120
23	80614	6 x 25 inox cylindrical head screw
24	13981	M 10 nylstop inox nut
25	14868	JETPRO 120-7 reinforced connecting rod
26	12815	4-lobes seal for JETPRO / JETBAG 120 flange
27	M10350	JETPRO 120 flange
28	80668	10 x 20 cylindrical head screw
29	M10352	Fastening tie rod for JETPRO 120 and JETBAG 120
30	MI7009050200	EUROPRO JET 3 chromed pump rotor with bayonet head
31	MI3F00503011	EUROPRO JET 3-80SH pump stator
32	30629	EUROPRO JET 3 pump rotor/stator kit
33	M10770	Ø48 pump head crosspiece
34	M10353	Stator flange for JETPRO 120
35	30286	ø 14 inox narrow washer
36	10036	M 14 nut
37	12913	Pump nose manometer membrane for JETPRO 80, 120, JETBAG 120
38	12625	6 x 8 cylindrical head screw
39	12765	Copper seal for JETPRO 80 pump nose
40	M10351	Flange cap for JETPRO 120
41	12820	6 x 55 cylindrical head screw
42	12623	50 mm axial manometer 1/4" conical - 0 to 160 bar
43	12560	250 bar pressure sensor for JETPRO and JETBAG 120
44	12409	M12 straight female connector with 2m cable

## JETPRO 120-7 complete atomizer - Transmission (up to 06/2021)

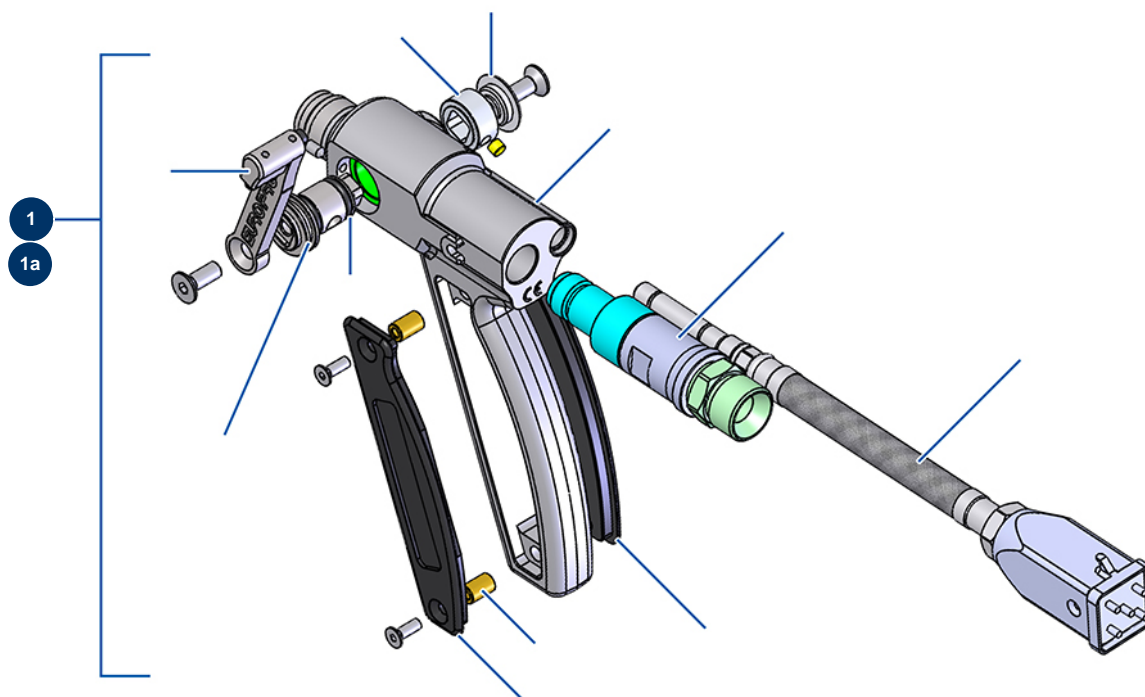


### Détails des pièces

Pos.	Référence	Désignation
1	12787	Geared motor 3 kW - T100 - R6,67 - 1400 rpm - 400V
2	80446	Cable gland reduction M 25-11
3	30040	Nickel plated watertight cable gland of 11 CEM
4	90157	M6 x 16 cylindrical head screw - CP 60
5	C20979	Reduction gear metallic cover for JETPRO 120
6	C21713	JETPRO spi gasket holding washer Ø 79,5
7	13755	Spi seal 35 x 47 x 7
8	30121	90° low-pressure elbow 1/4 MaleC x 1/4 FemaleD
9	90639	Automatic greaser
10	M10419	NORD Motor spacer flange for JETPRO 120
11	12506	4-lobes seal for JETPRO 80 flange
12	13660	35 x 80 x 31 thrust bearing for JETPRO
13	70107	Spi seal 50 x 80 x 8 for 24P,24PT, MPE300, COMPACT-PRO 30

Pos.	Référence	Désignation
14	80614	6 x 25 inox cylindrical head screw
15	90750	8 x 7 x 100 parallel key with round end for 24P et PT
16	C20822	Ø 105 spi seal holding washer for JETPRO
17	12507	Bottom of tank seal for JETPRO 80
18	M10348	Drive shaft for JETPRO 120 engine NORD
19	M10222	Flange seal for JETPRO 80 & 120
20	C20826	Connecting rod for JETPRO and JETBAG 120
21	12815	4-lobes seal for JETPRO / JETBAG 120 flange
22	M10350	JETPRO 120 flange
23	M10352	Fastening tie rod for JETPRO 120 and JETBAG 120
24	MI7009050200	EUROPRO JET 3 chromed pump rotor with bayonet head
25	MI3F00503011	EUROPRO JET 3-80SH pump stator
26	30629	EUROPRO JET 3 pump rotor/stator kit
27	M10770	Ø48 pump head crosspiece
28	M10353	Stator flange for JETPRO 120
29	30286	ø 14 inox narrow washer
30	10036	M 14 nut
31	12913	Pump nose manometer membrane for JETPRO 80, 120, JETBAG 120
32	12625	6 x 8 cylindrical head screw
33	12765	Copper seal for JETPRO 80 pump nose
34	M10351	Flange cap for JETPRO 120
35	12820	6 x 55 cylindrical head screw
36	12623	50 mm axial manometer 1/4" conical - 0 to 160 bar
37	12560	250 bar pressure sensor for JETPRO and JETBAG 120
38	12409	M12 straight female connector with 2m cable
39	80668	10 x 20 cylindrical head screw

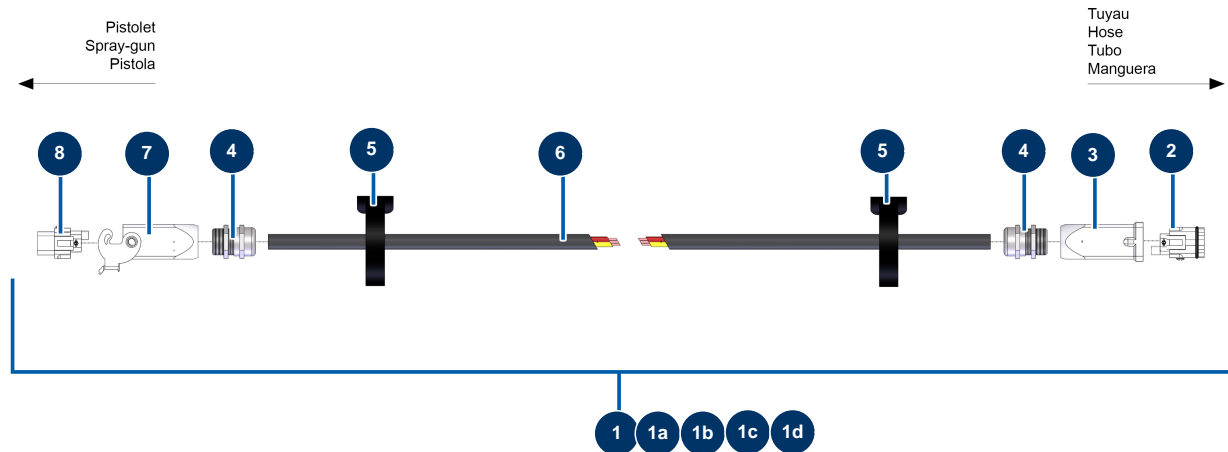
## JETPRO 120-7 complete atomizer - Spray-guns (up to 12/2020)



### Détails des pièces

Pos.	Référence	Désignation
1	1	
1a	1a	

## JETPRO 120-7 complete atomizer - Remote control extensions



### Détails des pièces

Pos.	Référence	Désignation
1	12904	10m extension for remote control
1a	12905	15m extension for remote control
1b	12906	20m extension for remote control
1c	12908	25m extension for wired remote control
1d	12907	40 metre extension for remote control UNIVERSAL
2	11913	Blowing machine male insert 4 p + T
3	11916	Blowing machine insulating cover 3 p + T
4	30082	Nickel plated watertight cable gland of 11
4	30082	Nickel plated watertight cable gland of 11
5	12410	Self-gripping collar with loop 12,7 x 228 mm
5	12410	Self-gripping collar with loop 12,7 x 228 mm
6	30016	H07RNF 3G1.5 electrical cable by the metre
7	11966	Blowing machine 1 lever insulating cover 3 p + T

Pos.	Référence	Désignation
8	11914	Female insert 4p + G