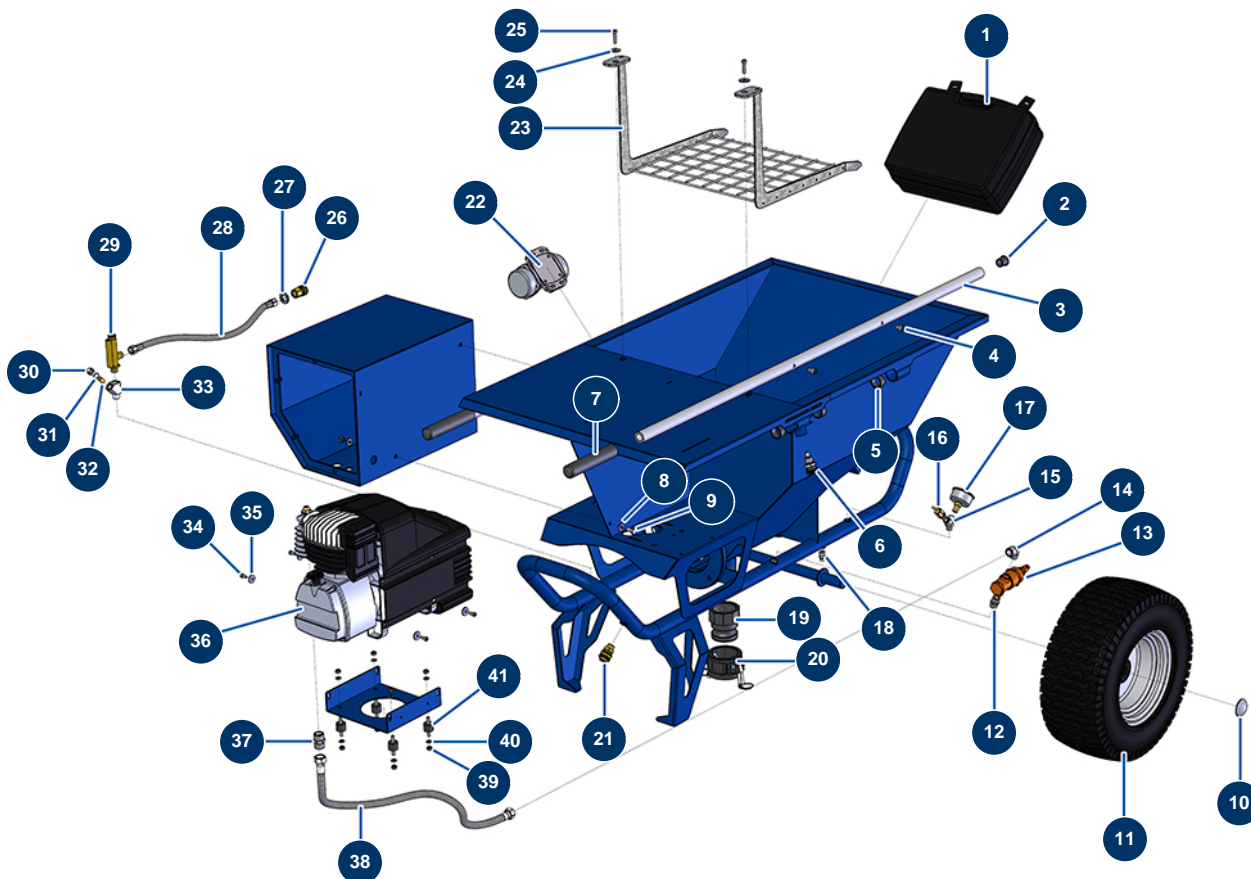


COMPACT-PRO 40 spraying machine - Chassis

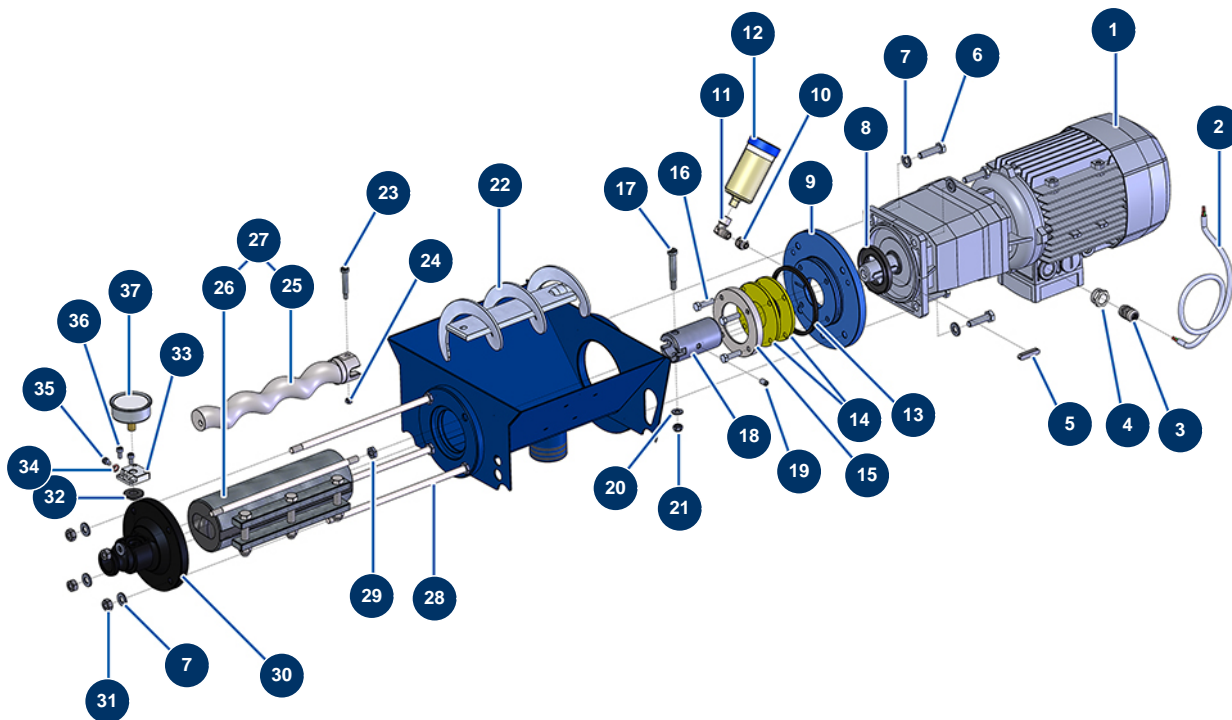


Détails des pièces

Pos.	Référence	Désignation
1	11833	Complete ABS mortar lance - 1" coupling
2	90870	Black plastic end cap for ø 25 round tube
3	C21327	COMPACT-PRO 30 to 55 machine arm from March 2020
4	90151	8 x 10 cylindrical head screw
5	13453	Cylindrical bearing 26/30 x 16
6	15010	Complete indexing pin for arm
7	90255	Arm handle for EUROPRO 24P, E50 and E100
8	80260	ø 8 inox medium washer
9	30295	THEF 8 x 16 screw
10	90282	Ø25 chromed clip
11	80372	Complete Ø410 wheel with bearing - axle of 25
12	30367	3/8" MaleC x 3/8" MaleC low-pressure nipple
13	101015	3/8" emptying autonomous valve

Pos.	Référence	Désignation
14	30120	Elbow BP 90° 3/8 MaleC x 3/8 FemaleD
15	30123	Low pressure Y - M1/4" x F1/4" x F1/4"
16	80028	1/4 conical axial manometer - 50mm - 0 to 20 bar
17	80097	1/4" certified outer threaded safety valve 11 bar
18	30133	1/4" male compressor tank purge
19	11396	POLYPRO 2" inner threaded adapter for COMPACT-PRO 30
20	11397	POLYPRO 2" female plug with cams for COMPACT-PRO 30
21	70034	3/8" outer threaded female quick connector
22	11997	Single vibrator - 230V
23	11379	COMPACT-PRO 30, 35, 40 & 50 machine safety grid
24	80614	6 x 25 inox cylindrical head screw
25	80062	ASCA 3/8 regulator knob
26	70035	3/8" inner threaded female quick fit coupling
27	30288	ø 16 inox narrow washer
28	11340	MORTAR machine flow meter air hose
29	30005	Flowmeter for EUROPRO 4-6-8-14 and 24 P
30	M10323	Spraying machine filter body plug
31	1032095	O-ring 12,42 x 1,78
32	12502	50 meshes hopper filter
33	M10322	Filter body for spraying machine
34	90160	5 x 16 cylindrical head screw
35	30291	ø 6 large washer
36	80454	EUROPRO 27 compression head
37	30369	1/2" MaleC x 1/2" MaleC low-pressure nipple
38	11341	COMPACT-PRO 30 & 40 compressor outlet air hose
39	14217	M 6 nylstop inox nut
40	70087	ø 6 inox narrow washer
41	30147	Silentbloc ø 20 x 15 M6 for Compact-pro 30

COMPACT-PRO 40 spraying machine - Transmission

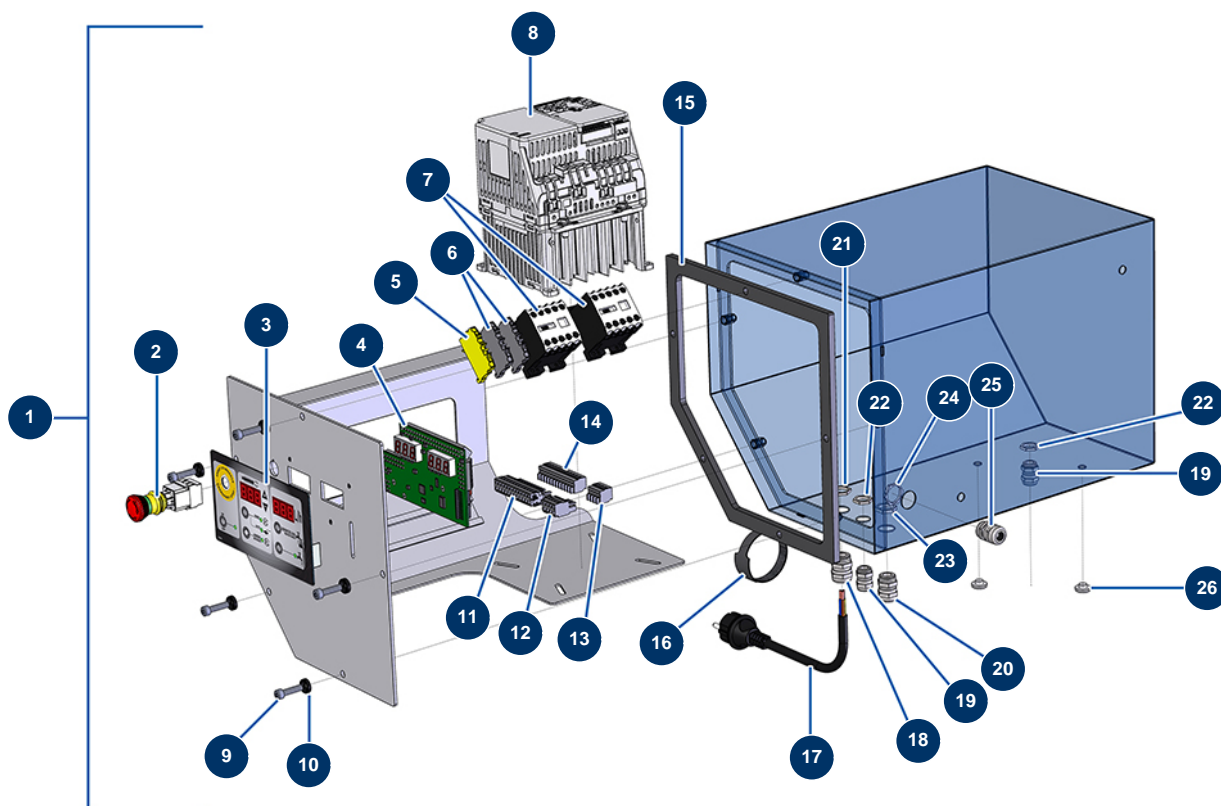


Détails des pièces

Pos.	Référence	Désignation
1	12033	Geared motor 3 kW - TC322 - R9,3 - 1400 rpm - 400V
2	90606	Shielded cable 4 x 1,5 by the metre
3	30082	Nickel plated watertight cable gland of 11
4	80446	Cable gland reduction M 25-11
5	11999	8 x 7 x 40 parallel key with round end
6	30259	THEF 10 x 40 screw
7	80261	ø 10 inox medium washer
7	80261	ø 10 inox medium washer
8	70107	Spi seal 50 x 80 x 8 for 24P,24PT, MPE300, COMPACT-PRO 30
9	11334	Motor spacer flange for COMPACT-PRO
10	10899	1/8" MaleD x 1/4" FemaleD low-pressure nipple
11	30121	90° low-pressure elbow 1/4 MaleC x 1/4 FemaleD
12	90639	Automatic greaser

Pos.	Référence	Désignation
13	11337	COMPACT-PRO 30 4-lobes seal for motor spacer flange
14	11300	COMPACT-PRO 30 tank base gasket
15	M10190	COMPACT-PRO 30 gasket support ring
16	30205	THEF 8 x 30 screw
17	11359	CP 30 transmission shaft screw pin
18	11336	Drive shaft for CP 20, 30 & 40
19	11360	Socket head screw M 8 x 16
20	80260	ø 8 inox medium washer
21	13980	M 8 nylstop inox nut
22	11357	CP 30 to 50 connecting rod
23	90520	CP 30 rotor screw pin
24	14217	M 6 nylstop inox nut
25	MI7009107300	EUROPRO MAP 5/6 pump rotor CP30-type head
26	MI3F00529400	EUROPRO MAP 6 D8-1,5 adjustable pump stator
27	30446	EUROPRO MAP 6 pump rotor/stator kit
28	60010	Fastening tie rod for MAP 5/6
29	13979	M10 flat inox nut
30	90125	EUROPRO 24 P and COMPACT-PRO 30 stator flange
31	13978	M10 inox nut
32	MI4920006000	Membrane
33	M10079	MIXPRO 14 cage cover
34	12765	Copper seal for JETPRO 80 pump nose
35	12625	6 x 8 cylindrical head screw
36	12112	6 x 12 cylindrical head screw
37	80070	Axial manometer 1/4" conical oil 50 mm 0 to 60 bar

COMPACT-PRO 40 spraying machine - Electrical box

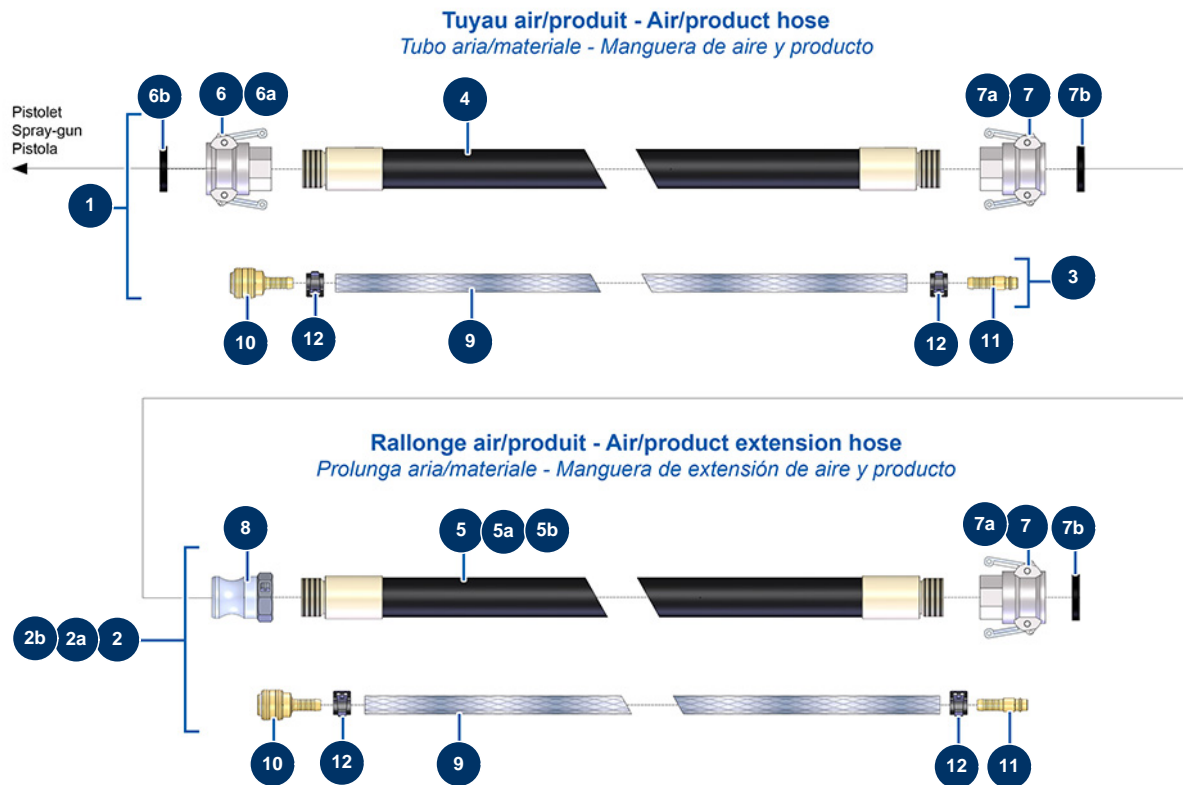


Détails des pièces

Pos.	Référence	Désignation
1	15008	Complete membrane electrical box for COMPACT-PRO 40 & 45
2	13015	Hanging EMERGENCY STOP button Ø16
3	13006	COMPACT PRO front with membrane
4	30672	COMPACT-PRO 30, 35 & 40 electronic card
5	30038	Yellow and green conductive block 6 mm ²
6	80467	Grey conductor block 4 mm ²
7	11918	Coil contactor 24 Volt AC
8	80459	Inverter 230 V - 2.2 KW
9	80614	6 x 25 inox cylindrical head screw
10	80573	Hollow washer Ø 6
11	11771	12 pins male connector
12	12754	4-pin male connector
13	12755	4-pin female connector

Pos.	Référence	Désignation
14	11772	12 pins female connector
15	11361	EUROPRO COMPACT-PRO 30 electric box gasket
16	12410	Self-gripping collar with loop 12,7 x 228 mm
17	90214	Power cable with molded plug 3G 2,5 mm ²
18	30332	13mm nickel plated sealed cable gland
19	80445	Watertight cable gland of M16
19	80445	Watertight cable gland of M16
20	30040	Nickel plated watertight cable gland of 11 CEM
21	30054	Cable gland locknut of 13
22	11327	Cable gland locknut of M16
22	30333	Cable gland locknut of 11 CEM
23	30333	Cable gland locknut of 11 CEM
24	30060	11mm cable gland nut
25	30082	Nickel plated watertight cable gland of 11
26	80397	Water exhaust cork for electrical box

COMPACT-PRO 40 spraying machine - Hoses and extensions

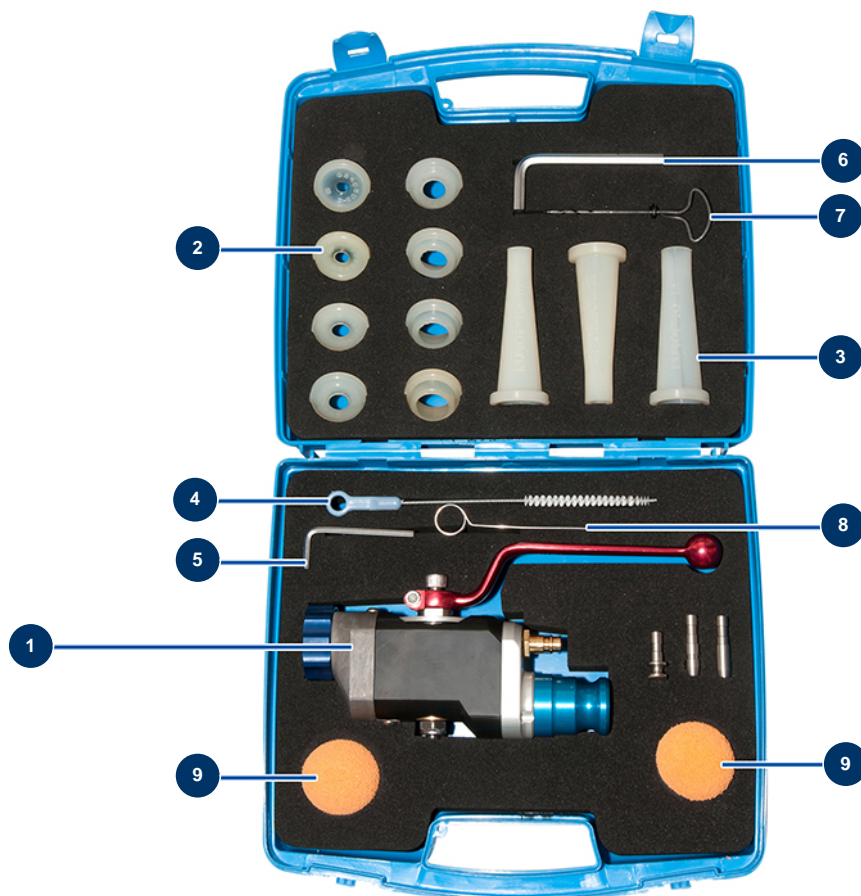


Détails des pièces

Pos.	Référence	Désignation
1	30144	ø 32 x 20 metres air product hose
2	12039	Air-product extension Ø35 x 10 m
2a	12170	Air-product extension Ø35 x 15 m
2b	12077	Air-product extension Ø35 x 20 m
3	91064	Complete air hose for lance 11,15 m 14P and 24P
4	12998	Product hose 32 x 20 m, outer threaded 1"1/4x1" without couplers
5	11977	Product hose ø 35 x 10 m threaded 1"1/4
5a	11978	Product hose Ø35 x 15 m outer threaded 1"1/4
5b	11979	Product hose Ø35 x 20 m outer threaded 1"1/4
6	70007	1" camlock alu coupling, inner threaded 1" for 6, 8, 14 & 24P
6a	90689	1" cam coupler
6b	70014	1" cam coupler gasket
7	70006	1"1/4 camlock alu coupling, inner threaded 1"1/4 for 24P

Pos.	Référence	Désignation
7	70006	1"1/4 camlock alu coupling, inner threaded 1"1/4 for 24P
7a	90691	1"1/4 cam coupler
7a	90691	1"1/4 cam coupler
7b	70015	1"1/4 cam coupler gasket
7b	70015	1"1/4 cam coupler gasket
8	70012	1"1/4 inner threaded adapter for 24P
9	50003	Clear braided PVC hose Ø 10 x 16 by the metre
9	50003	Clear braided PVC hose Ø 10 x 16 by the metre
10	70004	Female quick fit coupling with corrugated shank of 9
10	70004	Female quick fit coupling with corrugated shank of 9
11	70018	Corrugate male quick fit coupling of 9
11	70018	Corrugate male quick fit coupling of 9
12	12218	Spring collar Ø 15
12	12218	Spring collar Ø 15
12	12218	Spring collar Ø 15
12	12218	Spring collar Ø 15

COMPACT-PRO 40 spraying machine - Spraying lance



Détails des pièces

Pos.	Référence	Désignation
1	12274	ABS mortar spray lance 1" coupling
2	11760	Set of spray nozzles Ø 8, 10, 12, 14, 16, 18, 20, 22 - C.P
3	11759	Set of grouting nozzles Ø 10, 12, 14
4	1022035	Cleaning brush
5	13050	4mm Allen key
6	101013	7mm Allen key
7	90605	Tube brush
8	1001017	Un-blocking pin
9	90566	Cleaning ball Ø 50
9	90566	Cleaning ball Ø 50