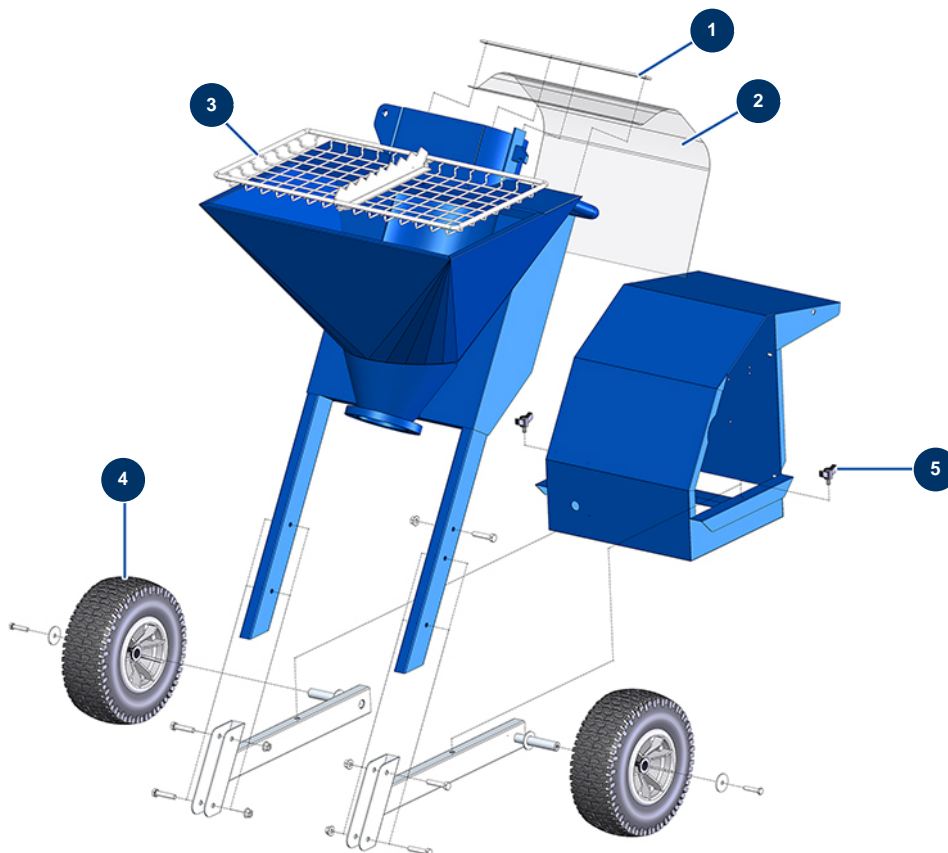


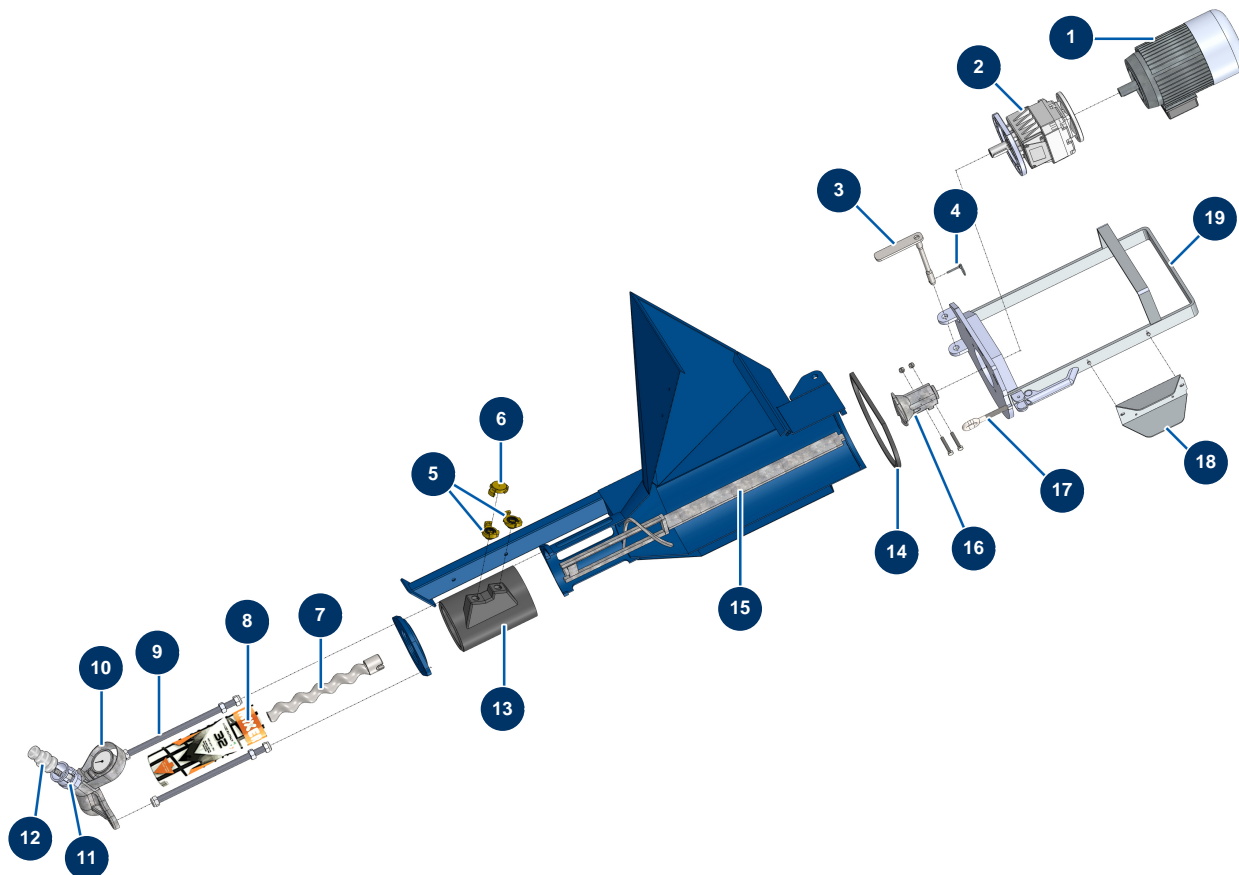
MIXPRO 28 - 3 kW complete plaster continuous mixing machine - Chassis



Détails des pièces

Pos.	Référence	Désignation
1	MI4023001800	MIXPRO 28 compressor protection fixing piece
2	MI4920001010	MIXPRO 28 compressor protection plastic
3	MI7017506100	MIXPRO 28, SPRINTER & MOSQUITO safety grid
4	12319	Complete wheel 320 with axle of 20
5	MI3T01505001	Mixer black Eye bolt diam 8

MIXPRO 28 - 3 kW complete plaster continuous mixing machine - Mixing group

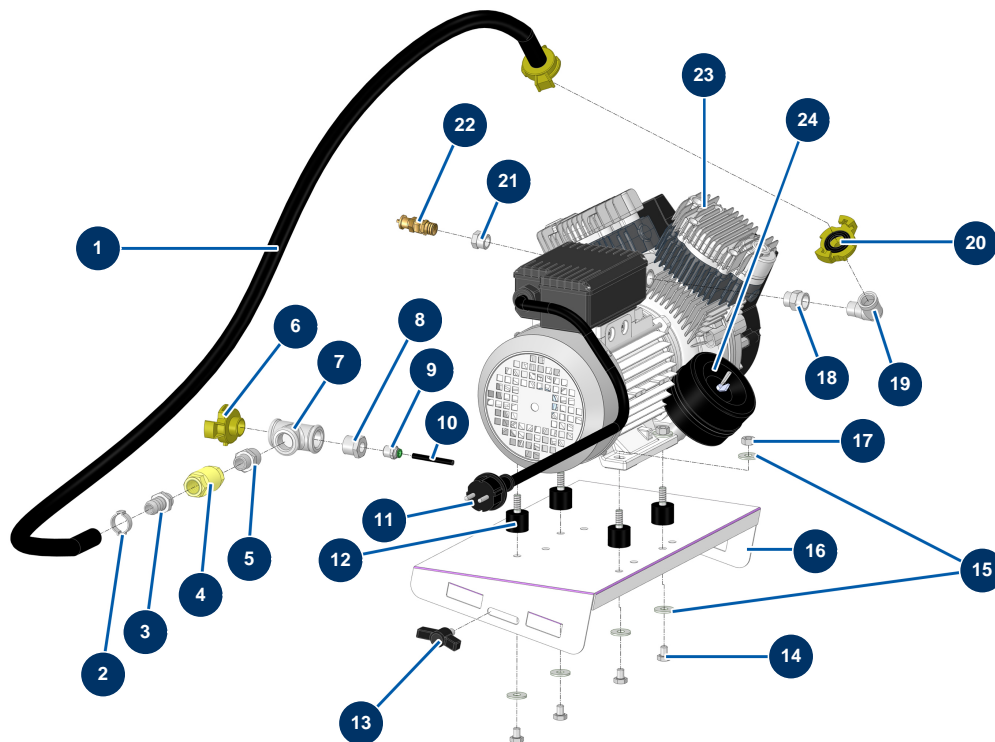


Détails des pièces

Pos.	Référence	Désignation
1	MI3D00200401	Electric motor 3 kW - T90 - B14 - 2800 rpm - 400V
2	MI3D00310101	Coaxial speed reducer - T412A - R8,96 - B14/T90
3	MI7018006000	Engine locking axis
4	MI3T01200101	Clip pin
5	13574	1" GEKA outer threaded coupling
6	MI3A00100401	Geka coupling plug
7	MI7009009000	MIXER 32 pump rotor
8	MI3F00510500	MIXER 32 pump stator
9	MI8023003000	M16 tie rod L = 350 mm + screws
10	MI8012006000	LIGHT/MOSQUITO/SPRINTER/MIXPRO28 complete pump head
11	11951	1"1/4 camlock steel coupling, inner threaded 1"1/4
12	MI3A00300401	Double steel adapter \varnothing 25 \varnothing 35
13	MI7021004000	MIXPRO 28 mixing chamber

Pos.	Référence	Désignation
14	MI3G01000301	O-ring
15	MI7003020000	MIXPRO 28 & SPRINTER/MOSQUITO mixing shaft
16	MI700600650S	MOSQUITO/PLUS MONO/LIGHT/MIPRO28/MIXPRO30 motor coupling
17	MI3T01000400	Motor Closing Ring
18	MI4906511000	Mixpro 28 motor plug protection
19	MI701100300G	Mixing chamber motor support for MIXER PLUS and SPRINTER

MIXPRO 28 - 3 kW complete plaster continuous mixing machine - Air group

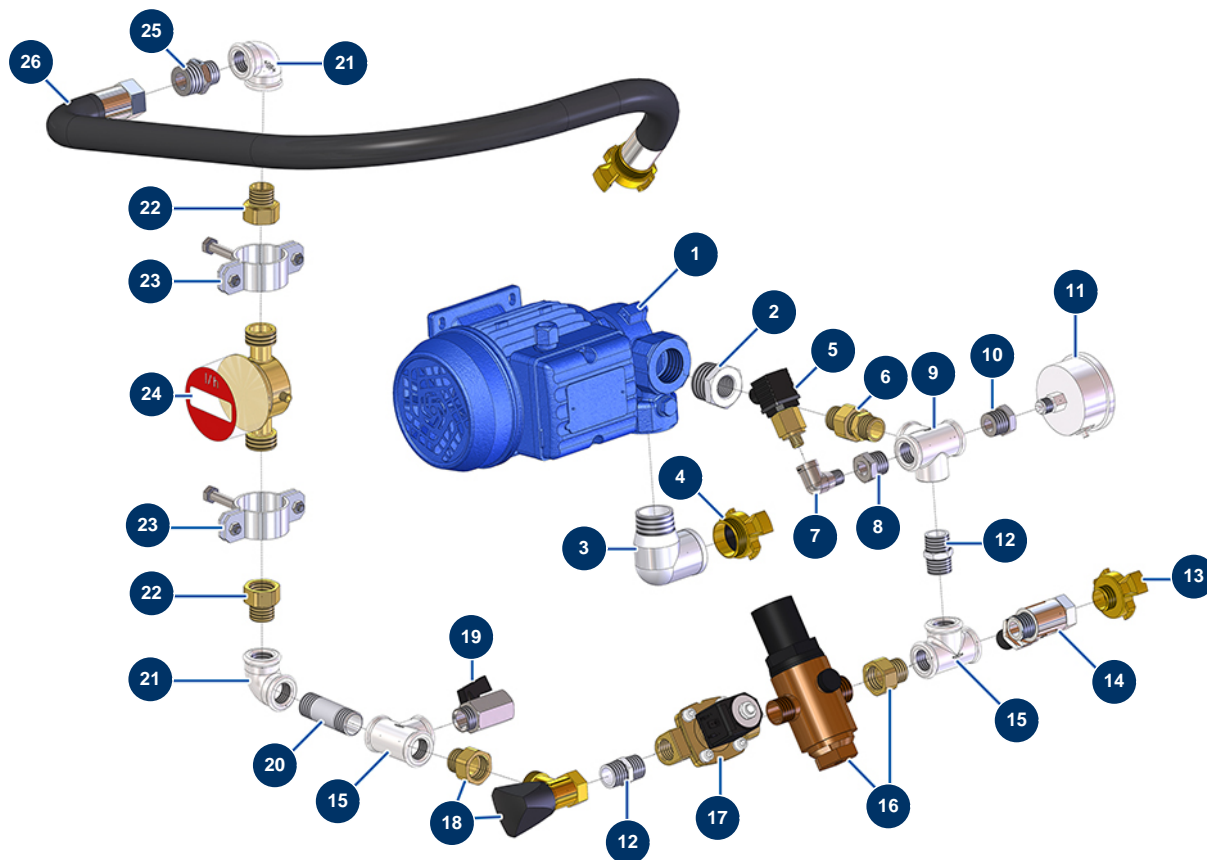


Détails des pièces

Pos.	Référence	Désignation
1	MI3F00700820	Air hose with 1 GEKA coupling MIXPRO 28
2	14578	2
3	MI3G50300202	Threaded connection 3/8" corrugated ø 14
4	MI3G01300401	3/8" non-return valve
5	80339	3/8" MaleC x 1/2" MaleC low-pressure nipple
6	MI3A00100302	1/2" outer threaded Geka coupling
7	MI3G00513002	Galvanised T F1/2" x F1/2" x F1/2"
8	30119	1/2" MaleC x 1/4" FemaleD low-pressure reduction
9	91039	Legris straight coupling M1/4 Ø 6
10	30403	Calibrated polyurethane tube ø 4 x 6 black by the metre
11	30023	2P male electric socket + foam rubber T
12	MI3T00200106	Silentbloc ø 25 x 20 M-F
13	MI3T01505001	Mixer black Eye bolt diam 8

Pos.	Référence	Désignation
14	30298	THEF 8 x 10 screw
15	30292	ø 8 inox large washer
16	C23348	16
17	90440	M 8 zinc plated nut
18	91053	3/8" MaleD x 3/8" FemaleD low-pressure nipple
19	MI3G50300503	19
20	MI3A00100201	3/8" inner threaded Geka coupling
21	MI3G50300110	3/8" MaleC x 1/4" FemaleC galvanised reduction
22	MI3G01300304	Safety Valve 1/4 3 bar
23	14421	Two-cylinder compression head Oilless - 230V/50Hz single-phase
24	MI3B02620000	

MIXPRO 28 - 3 kW complete plaster continuous mixing machine - Water group

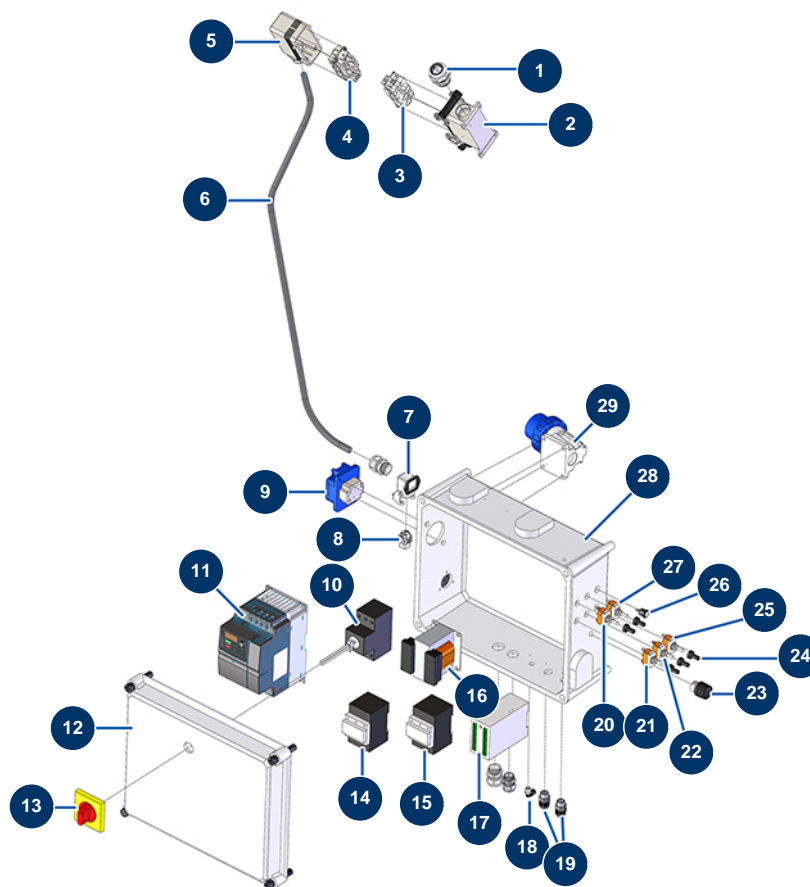


Détails des pièces

Pos.	Référence	Désignation
1	MI3D00703001	230V MONO electropump
2	MI3G00524105	1" MaleC x 1/2" FemaleC galvanised reduction
3	MI3G00509204	90° galvanised elbow 1" MaleC x 1" FemaleC
4	13574	1" GEKA outer threaded coupling
5	MI3G00402103	Water pressure switch
6	30132	Union coupling 1/2
7	30121	90° low-pressure elbow 1/4 MaleC x 1/4 FemaleD
8	MI3G50300100	1/2" MaleC x 1/4" FemaleC galvanised reduction
9	MI3G00522302	Galvanised X 4 x 1/2" Female
10	MI3G50300101	1/4" MaleC x 1/8" FemaleC galvanised reduction
11	MI3G00100141	0-10 bar manometer
12	MI3G00528002	Galvanised nipple 1/2" MaleC x 1/2" MaleC
12	MI3G00528002	Galvanised nipple 1/2" MaleC x 1/2" MaleC

Pos.	Référence	Désignation
13	13572	1/2" outer threaded Geka coupling"
14	90023	Red handle valve M1/2" x F1/2"
15	MI3G00513002	Galvanised T F1/2" x F1/2" x F1/2"
15	MI3G00513002	Galvanised T F1/2" x F1/2" x F1/2"
16	MI3G00904100	Water pressure regulator 0,5 to . bar
17	MI3G00301300	1/2 Parker solenoid valve
18	MI3G01300201	Water flow adjustment tap
19	30137	1/2" mini lux valve
20	MI3G00553006	Galvanised nipple 1/2" M-M length 60 mm
21	MI3G00509002	90° galvanised elbow 1/2" FemaleC x 1/2" FemaleC
21	MI3G00509002	90° galvanised elbow 1/2" FemaleC x 1/2" FemaleC
22	MI3G01700300	3-piece union MF 1/2
22	MI3G01700300	3-piece union MF 1/2
23	MI3G01600101	Flowmeter fixing clamp
23	MI3G01600101	Flowmeter fixing clamp
24	MI3G01100102	Digital flow meter
25	90868	3/4" MaleC x 1/2" MaleC high-pressure nipple
26	MI8002008004	Mixing chamber water supply hose ø 18 Lg. 700 mm

MIXPRO 28 - 3 kW complete plaster continuous mixing machine - Electrical box

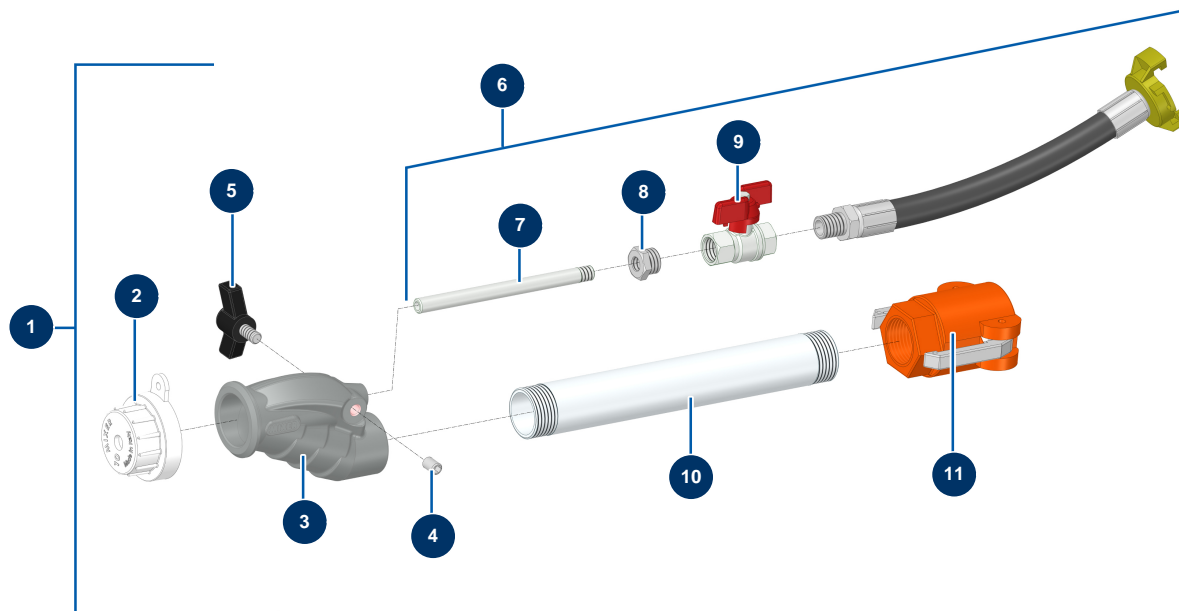


Détails des pièces

Pos.	Référence	Désignation
1	MI3C04200208	PG21 cable gland
2	MI3C02800400	Fixed Base
3	MI3C03100400	Male motor safety socket
4	MI3C02700600	Female motor safety socket
5	MI3C02800100	Mobile Base
6	MI3C03900008	7 x 2,5 motor power cable by the metre
7	12543	Insulating bend socket base 3p + G - 1 lever
8	11914	Female insert 4p + G
9	MI3C02601001	MIXPRO 28 straight socket F 2P + T 16A
10	MI3C01030108	Main switch
11	MI3C05100155	MOSQUITO/SPRINTER, PLUS MONO & MIXPRO 28 inverter - 3KW
12	MI3C00110163	MIXPRO 28 plastic box door
13	MI3C01300207	ABB main start stop button

Pos.	Référence	Désignation
14	MI3C00700117	4 KW 24V AC coil contactor
15	MI3C00700110	3RT10251A 7,5KW 24V AC coil contactor
16	MI3C00500101	220 V transformer
17	MI3C03202500	MOSQUITO, SPRINTER black box
18	30124	Corrugated Legris coupling M1/8" Ø 6
19	MI3C04200201	PG 09 watertight cable gland
20	MI3C01800402	T315N-A ON-ON switch
21	MI3C01800500	1-0 T115 A-A switch
22	MI3C01800100	1-0-1 T115 E-A switch
23	MI3C00300101	MIXPRO28/SPRINTER/MOSQUITO machine potentiometer
24	MI3C02100100	Cover for switch
25	MI3C01800200	Main Switch
26	MI8055000100	Neon bulb
27	MI3C01801000	1-0 T115 F-A switch
28	MI3C00110464	Plastic case without door for MIXPRO 28
29	MI3C03000103	Elbow socket for male base 220V

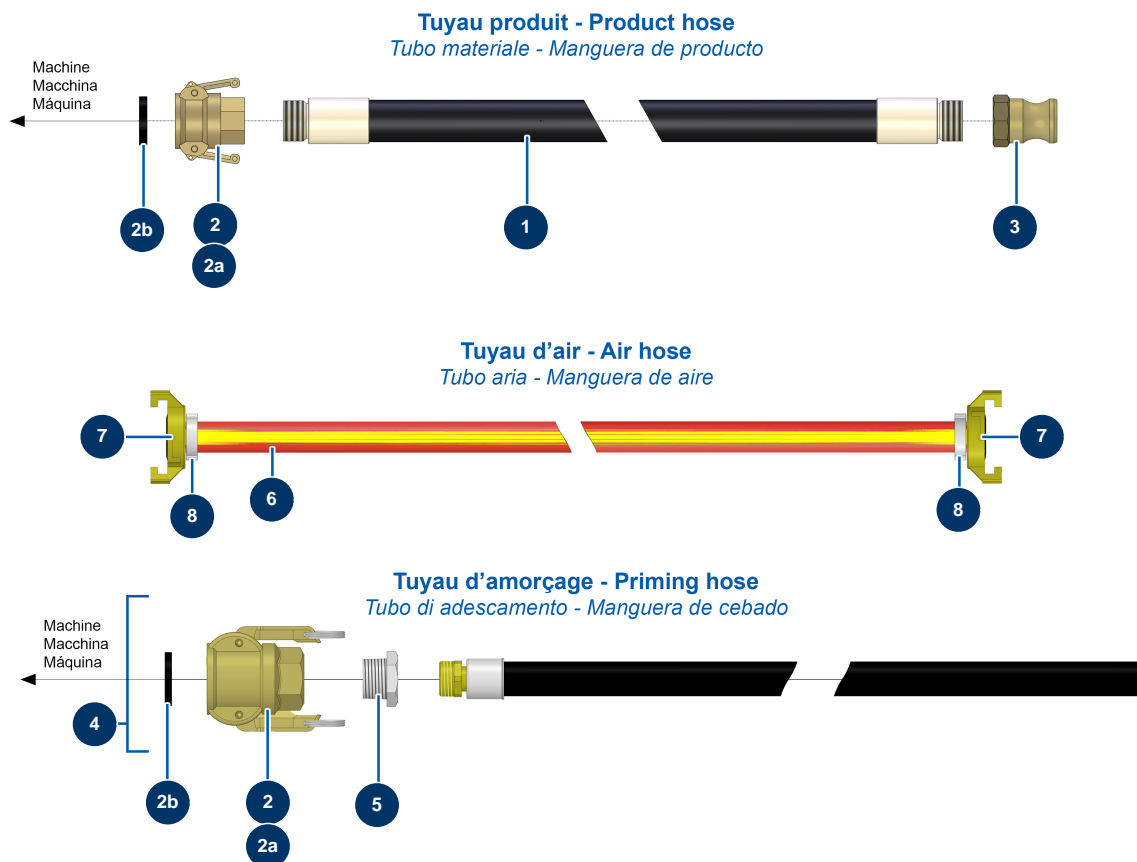
MIXPRO 28 - 3 kW complete plaster continuous mixing machine - Spraying lance



Détails des pièces

Pos.	Référence	Désignation
1	MI8010003005	MIXER standard Aluminium Lance
2	MI3F00200101	White spraying nozzle Ø 10 80SH
3	MI4916001000	Mixer straight lance head
4	14151	8 x 12 stainless steel socket head screw with flat tip
5	MI3T01505001	Mixer black Eye bolt diam 8
6	MI8010100001	Mixer aluminium standard spray lance air regulation kit
7	MI4907402000	Outer threaded air injector
8	MI3G50300102	8
9	MI3G01300103	9
10	MI4907441001	230 mm extension outer threaded tube
11	MI3A00300241	1" camlock polypro coupling, inner threaded 1"

MIXPRO 28 - 3 kW complete plaster continuous mixing machine - Hoses



Détails des pièces

Pos.	Référence	Désignation
1	50014	25 x 15 m product hose outer threaded 1" without couplers
2	11950	1" camlock steel coupling, inner threaded 1"
2	11950	1" camlock steel coupling, inner threaded 1"
2a	12978	Product and lance hose steel cam coupler - C.P 60
2a	12978	Product and lance hose steel cam coupler - C.P 60
2b	70014	1" cam coupler gasket
2b	70014	1" cam coupler gasket
3	11952	1"ø 27 steel adapter, inner threaded 1"
4	12012	Pouring product hose Ø 19 x 2 m - 1" coupling MIXPRO 28, 30, 50
5	90789	1" MaleC x 3/4 FemaleD low-pressure reduction
6	MI3F00700201	Yellow and red PVC hose ø 13 x 19 by the metre
7	MI3A00100102	Corrugated Geka coupling of 13
7	MI3A00100102	Corrugated Geka coupling of 13

Pos.	Référence	Désignation
8	MI3G00200301	8
8	MI3G00200301	8