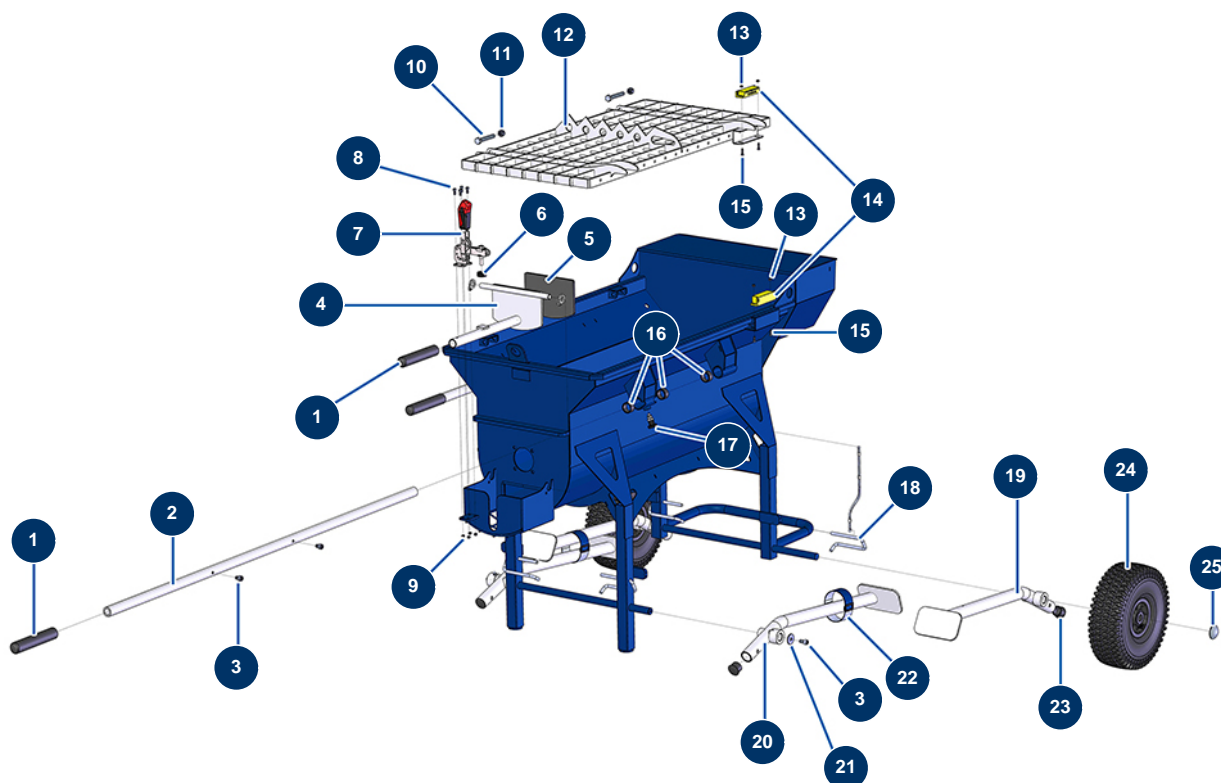


MIXPRO 100 sequential mixer - Chassis

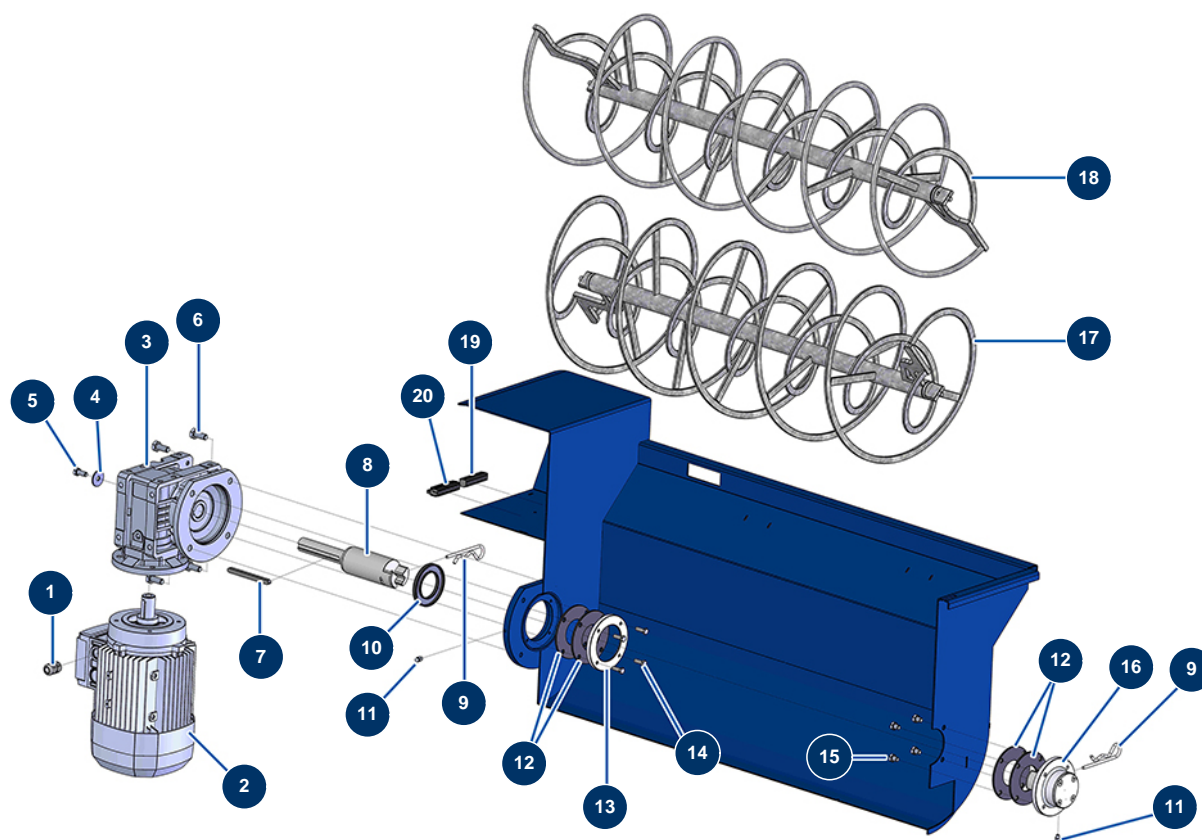


Détails des pièces

Pos.	Référence	Désignation
1	90255	Arm handle for EUROPRO 24P, E50 and E100
1	90255	Arm handle for EUROPRO 24P, E50 and E100
2	C21327	COMPACT-PRO 30 to 55 machine arm from March 2020
3	90151	8 x 10 cylindrical head screw
3	90151	8 x 10 cylindrical head screw
4	C20201	MIXPRO 100 trap door
5	12231	MIXPRO 100 mixer trapdoor gasket
6	12219	Ø 25 x 10 F8 stop
7	12142	MIXPRO 100 product trapdoor locking clamp
8	90161	5 x 12 inox cylindrical head screw
9	11880	M 5 nylstop nut
10	12163	THEF 10 x 70 inox screw
11	13981	M 10 nylstop inox nut

Pos.	Référence	Désignation
12	C20200	MIXPRO 100 safety grid
13	30266	M 4 nylstop nut
13	30266	M 4 nylstop nut
14	12120	Grid safety sensor for JETMIX, MIXPRO 14, 70 & 100
15	90137	4 x 16 cylindrical head screw
15	90137	4 x 16 cylindrical head screw
16	13453	Cylindrical bearing 26/30 x 16
17	13454	M12 X 1.5 indexage pin
18	C20226	MIXPRO 100 feet locking hook
19	C20202	MIXPRO 100 right foot
20	C20204	MIXPRO 100 left foot
21	80263	Very large inox washer Ø 8
22	12204	Ring strap 38 x 400 mm with plastic buckle
23	13693	Black plastic end cap for ø 34 round tube
24	90692	Complete wheel 300 shaft of 20
25	90282	Ø25 chromed clip

MIXPRO 100 sequential mixer - Transmission

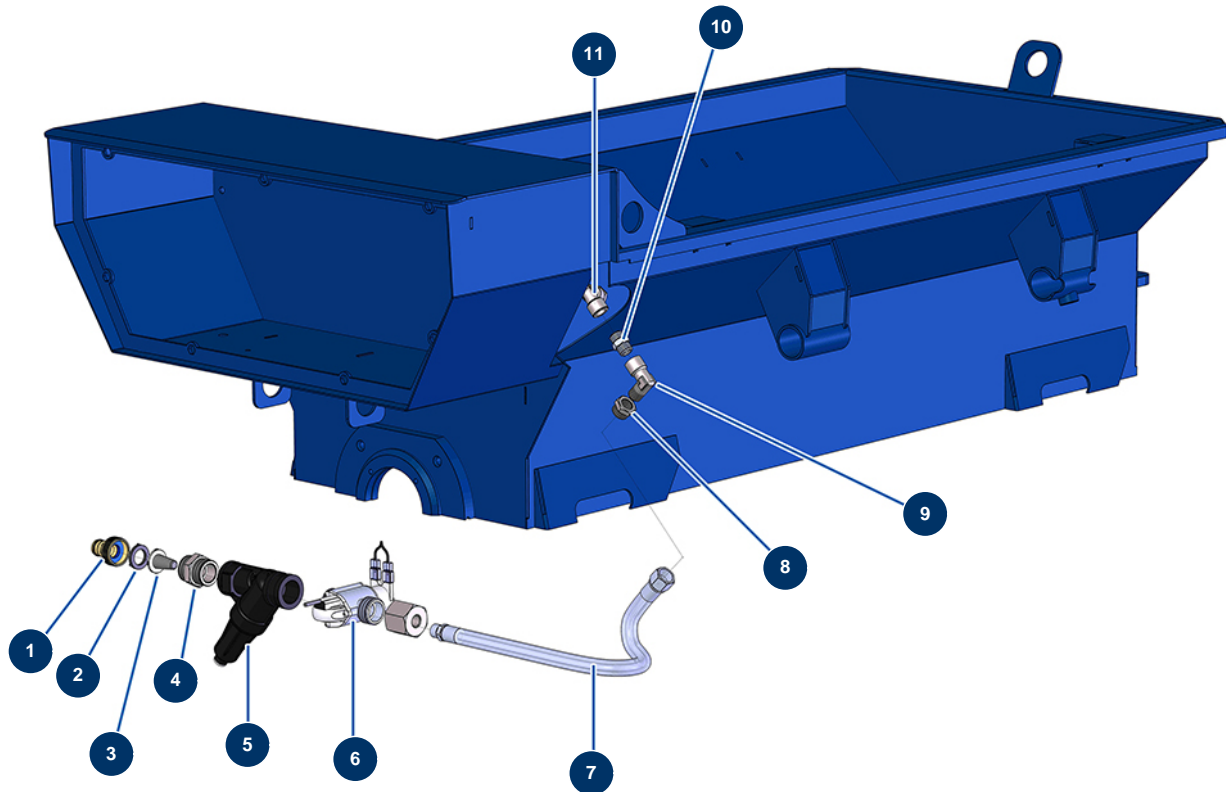


Détails des pièces

Pos.	Référence	Désignation
1	1002837	PG 09 watertight cable gland
2	90189	Electric motor 2,2 kW - T90 - B14 - 1400 rpm - 400V
3	30277	Speed reducer 90° - T63 - R24 - B14/T90
4	80263	Very large inox washer Ø 8
5	30273	THEF 8 x 20 screw
6	30257	THEF 10 x 25 screw
7	90750	8 x 7 x 100 parallel key with round end for 24P et PT
8	M10063	COMPACT PRO IDEAL mixed rapid transmission shaft
9	12157	Beta pin Ø 4.5 x 70
9	12157	Beta pin Ø 4.5 x 70
10	70107	Spi seal 50 x 80 x 8 for 24P,24PT, MPE300, COMPACT-PRO 30
11	60012	M6 straight lubricator
11	60012	M6 straight lubricator

Pos.	Référence	Désignation
12	12042	C.P mixer rapid transmission gasket
12	12042	C.P mixer rapid transmission gasket
13	M10065	Support washers for COMPACT-PRO mixer gasket
14	14539	THEF 6 x 20 screw
15	30298	THEF 8 x 10 screw
16	M07013	CP MIXER complete transmission bearing
17	C20231	MIXPRO 100 mixer propeller
18	C22367	MIXPRO 100 reinforced propeller
19	11771	12 pins male connector
20	11772	12 pins female connector

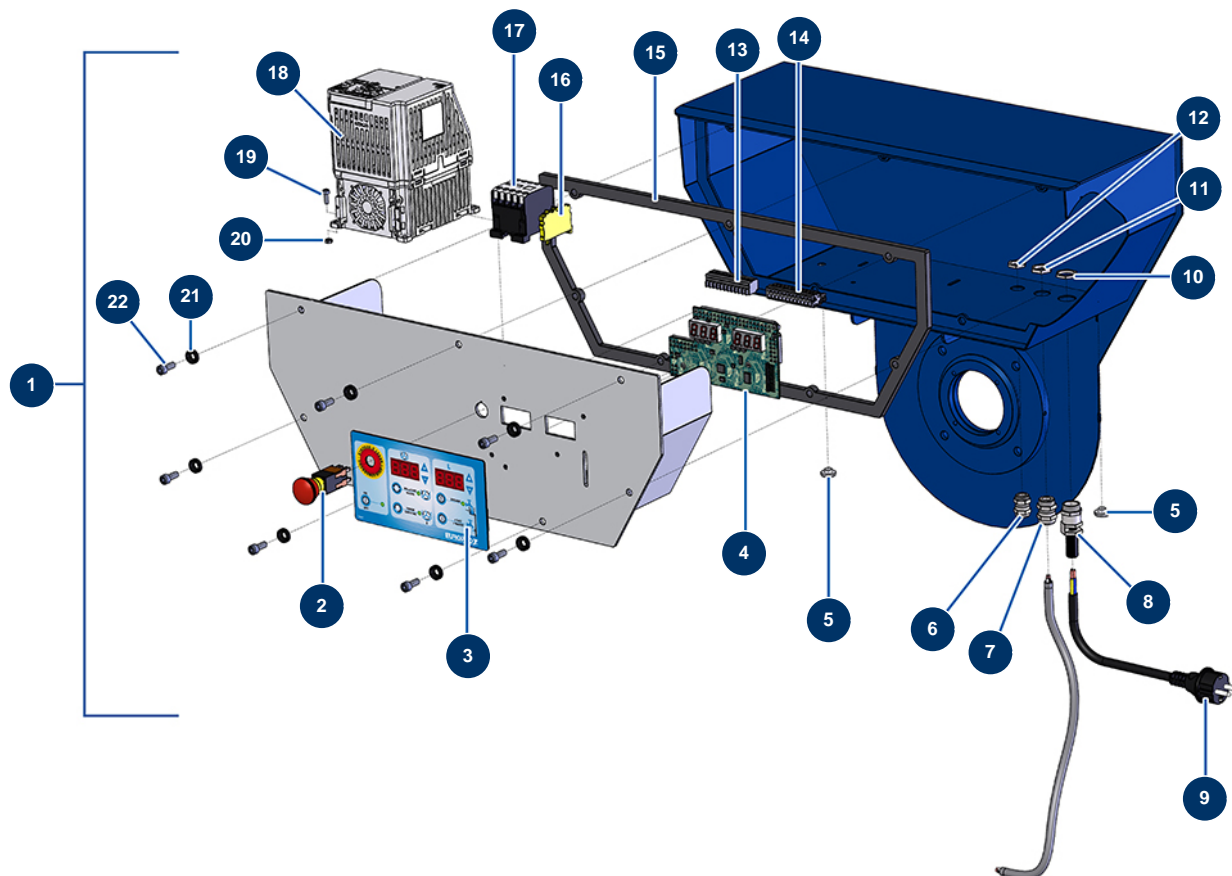
MIXPRO 100 sequential mixer - Hydraulic circuit



Détails des pièces

Pos.	Référence	Désignation
1	80124	Inner threaded 3/4" quick connector
2	11618	3/4" red fiber flat gasket
3	80128	Filter for 3/4" brass quick connector
4	12589	3/4" MaleD x 3/4" MaleD low-pressure nipple
5	12066	Water pressure regulator 0.8 to 2.5 bar
6	14241	Flowmeter electrovalve with 5-pin connector
7	12280	Water hose for MIXPRO 100 mixer
8	90242	3/8" MaleC x 1/4" FemaleD low-pressure reduction
9	30121	90° low-pressure elbow 1/4 MaleC x 1/4 FemaleD
10	90844	1/4" MaleD x 1/4" MaleD low-pressure nipple
11	11669	Elbow BP 90° 1/4 femaleDx 1/4 FemaleD

MIXPRO 100 sequential mixer - Electrical box



Détails des pièces

Pos.	Référence	Désignation
1	13025	Complete membrane electrical box for MIXPRO 100
2	13015	Hanging EMERGENCY STOP button Ø16
3	13007	IDEAL MIXER front with membrane
4	30673	C.P IDEAL MIXER & MIXPRO 100 electronic card
5	80397	Water exhaust cork for electrical box
5	80397	Water exhaust cork for electrical box
6	80445	Watertight cable gland of M16
7	30040	Nickel plated watertight cable gland of 11 CEM
8	80451	Brass cable gland of 13 for power cable
9	90214	Power cable with molded plug 3G 2,5 mm ²
10	30054	Cable gland locknut of 13
11	30333	Cable gland locknut of 11 CEM
12	11327	Cable gland locknut of M16

Pos.	Référence	Désignation
13	11771	12 pins male connector
14	11772	12 pins female connector
15	12138	EUROPRO MIXPRO 100 electrical box gasket
16	30038	Yellow and green conductive block 6 mm ²
17	11918	Coil contactor 24 Volt AC
18	80458	Inverter 230 V - 1,5 kW
19	12444	4 x 12 cylindrical head screw
20	10038	M 6 nut
21	80573	Hollow washer Ø 6
22	90157	M6 x 16 cylindrical head screw - CP 60