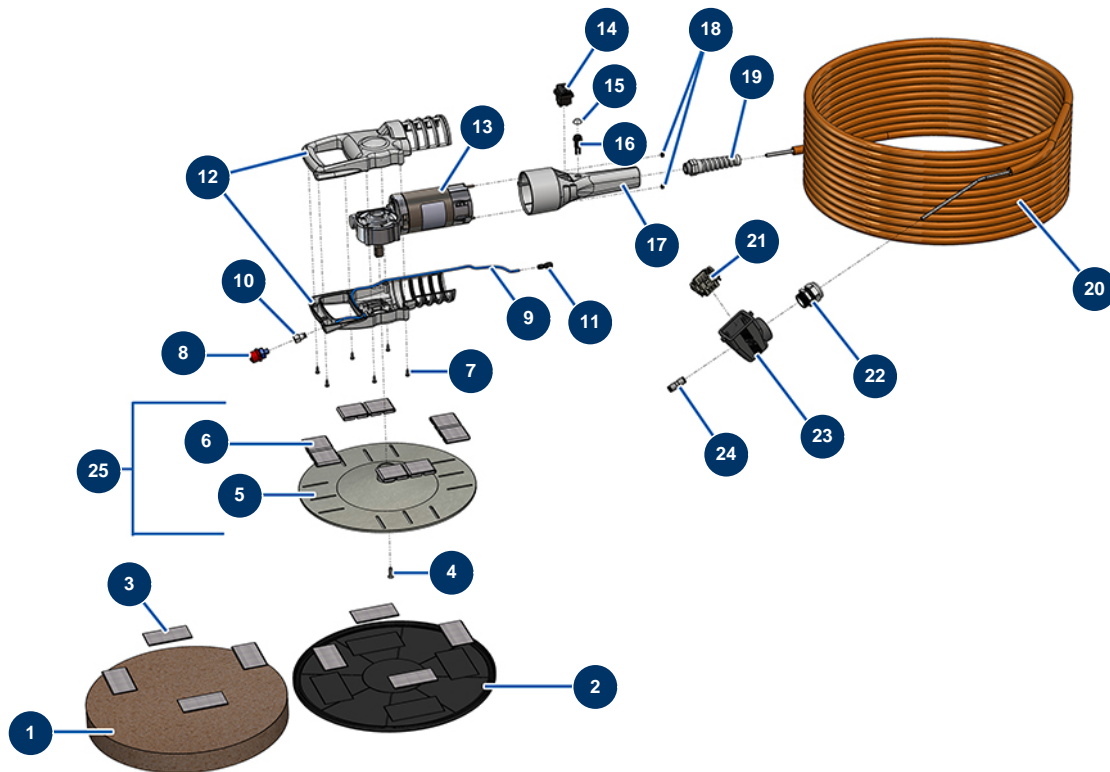


## TALOCH'PRO 400 electric trowel 230 V - Motor group



### Détails des pièces

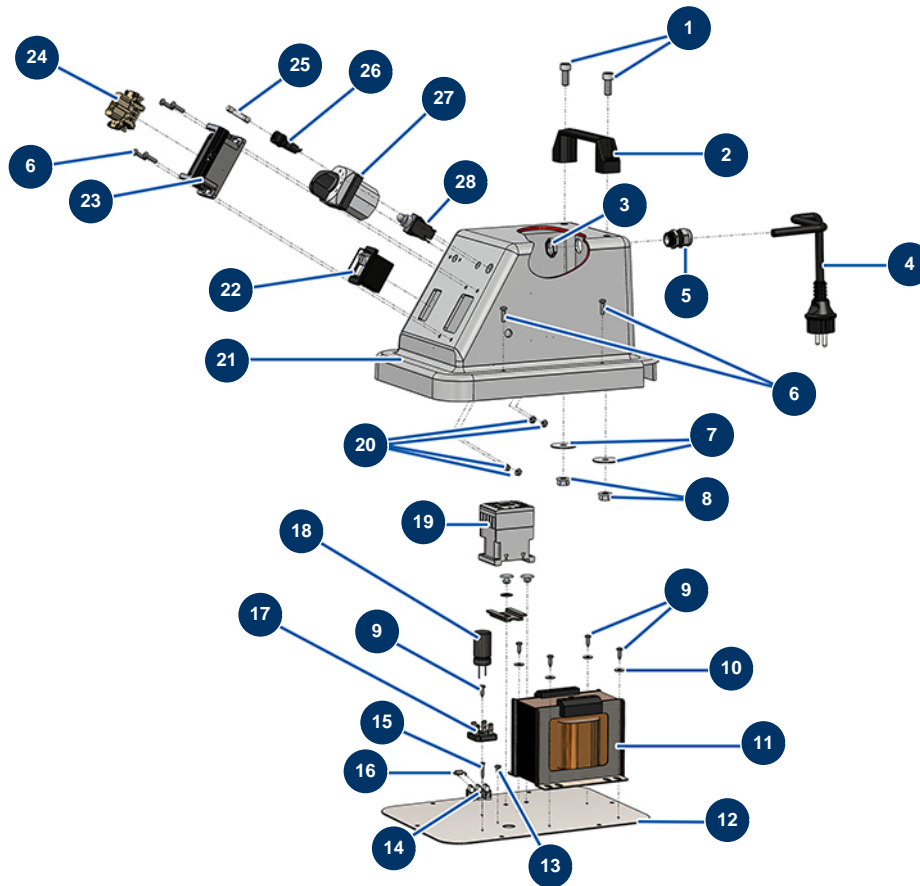
Pos.	Référence	Désignation
1	MI3M00300201	Special MORTAR brown sponge
2	MI3M00302701	Trowelling plate ABS - without velcro
3	MI3M00300160	TALOCH' PRO sponge female Velcro
4	MI3T02601601	4
5	MI3M00500407	Trowel disk VERTIGO
6	MI3M00300150	TALOCH' PRO revolving plate male velcro
7	MI3T02601403	7
8	MI3M00500102	
9	MI3G50500203	Calibrated polyurethane tube $\varnothing$ 2 x 4 per metre
10	MI3G50200110	F coupling 4X1/8 for VERTIGO trowel
11	MI3G50200501	Legris T- joint reduced
12	MI3M00500402	Handle LH -RH VERTIGO trowel
13	MI3M00500110	TALOCH'PRO 400 geared motor

Pos.	Référence	Désignation
14	MI3M00500104	TALOC'H'PRO 400 switch
15	MI3M00500122	Button cover VERTIGO
16	MI3M00500121	
17	MI3M00500400	Grip for VERTIGO
18	MI3T01401104	18
19	MI3M00302101	
20	MI8007015000	TALOC'H'PRO 400 and VERTIGO hose 15 ml
21	MI3C03100500	Taloch'pro 400 male insert
22	MI3C04200203	Anti-tear cable gland M25X1.5E51201100
23	MI3C02800601	Cover TMAO 06 L25
24	MI3G50200502	ø 06/06 straight push-in connector
25	MI3M00500411	Rotating plate with velcro



Pos.	Référence	Désignation
12	MI3M00321201	12
13	MI3T01401104	13
14	MI3M00301501	
15	MI3M00301502	15
16	MI3T02100107	16
17	MI5902020200	17
18	MI4902020000	Galvanized bottom plate
19	MI3C00130110	19
20	MI3T02200306	20
21	MI3G50200202	21
22	MI3M00500405	Half-shell cover trowel VERTIGO

## TALOCH'PRO 400 electric trowel 230 V - Electrical group

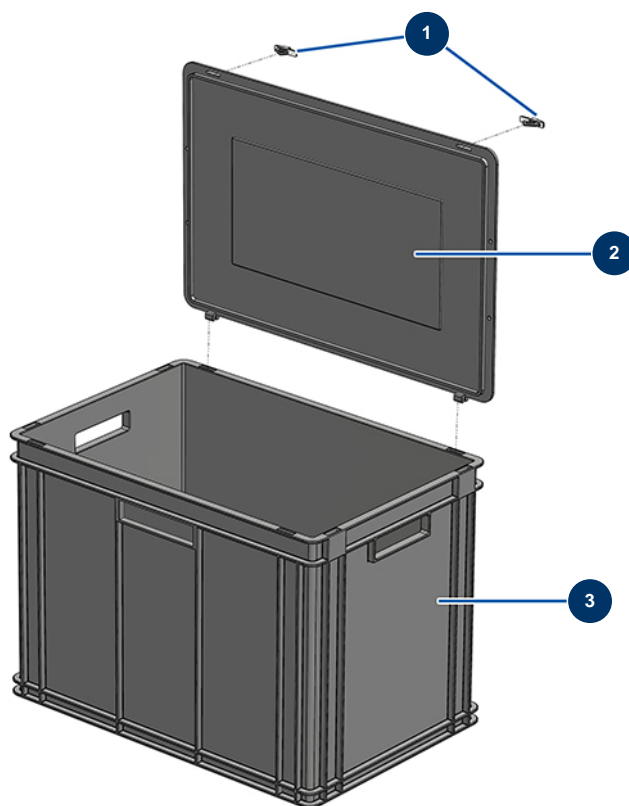


### Détails des pièces

Pos.	Référence	Désignation
1	MI3T02601010	1
2	MI3M00500114	Lifting handle
3	MI3C04205103	3
4	MI3M00501200	SCHUKO plug with trowel power cable VERTIGO
5	MI3C04200211	PG11 cable gland
6	MI3T02601109	6
6	MI3T02601109	6
7	MI3T02200201	7
8	MI3T01401103	8
9	MI3T2601403	9
9	MI3T2601403	9
10	MI3T02200205	10
11	MI3C00502025	Trowel transformer VERTIGO 3 speeds

Pos.	Référence	Désignation
12	MI4902020000	Galvanized bottom plate
13	MI3T02601402	13
14	MI3C00130110	14
15	MI3T02601405	15
16	MI3M00302901	Diode for pump - VERTIGO 1N54
17	MI3M00500108	Diode bridge 25A VERTIGO
18	MI3C04302001	Capacitor 50V 4700MF VERTIGO 3 speeds
19	MI3C00700117	4 KW 24V AC coil contactor
20	MI3T01401104	20
21	MI3M00500405	Half-shell cover trowel VERTIGO
22	MI3M00500111	TALOCH' PRO ON/OFF switch
23	MI3C02800503	Socket base 6 pin TCHI 06 L
24	MI3C02700300	6P 16A female insert
25	MI3C05001200	Fuse 3,15A VERTIGO trowel
26	MI3C05050900	Fuse holder P4000 VERTIGO trowel
27	MI3M00300403	Gradual trowel switch VERTIGO
28	MI3C00800800	Thermoprotector VERTIGO trowel

## TALOH'PRO 400 electric trowel 230 V - Storage box



### Détails des pièces

Pos.	Référence	Désignation
1	MI3U00500704	
2	MI3U00500703	
3	MI3U00500700	TALOH'PRO 400 box without lid