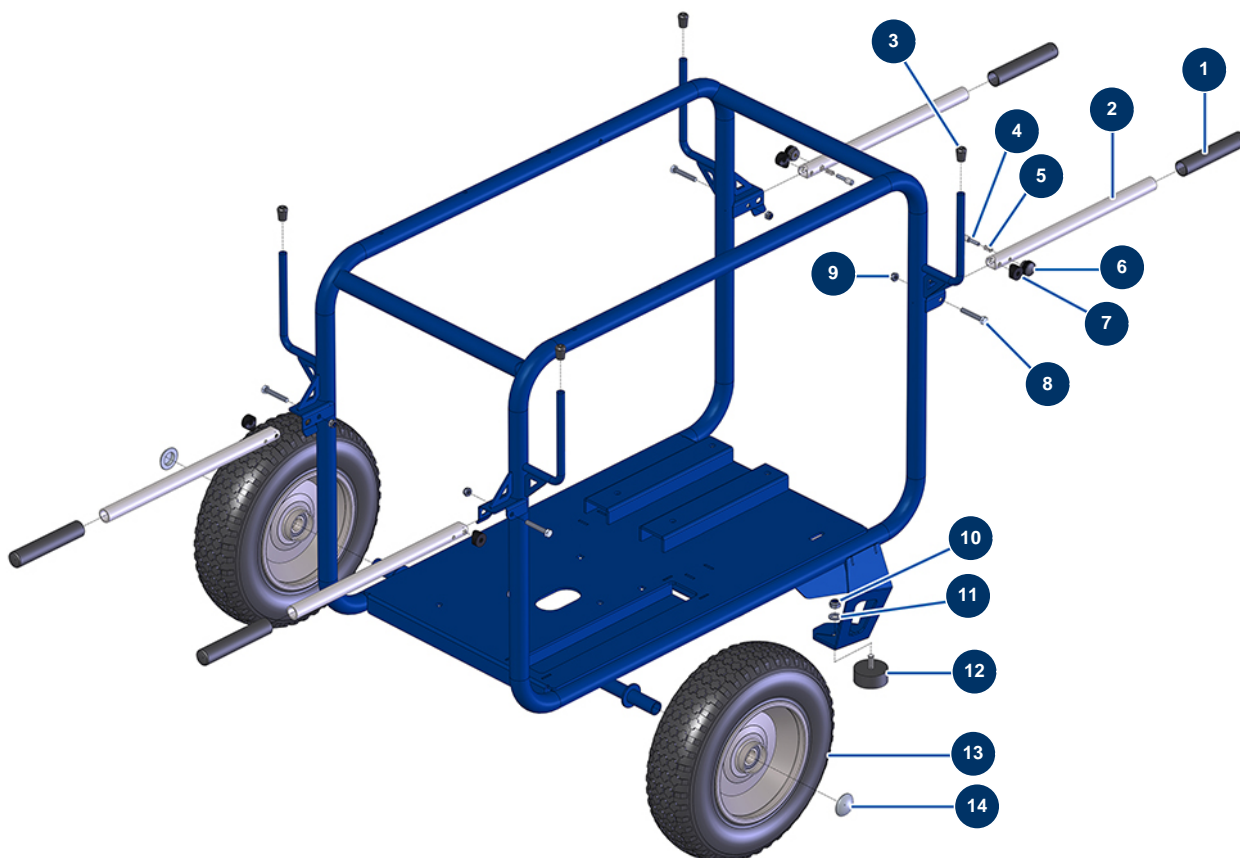


## EUROPOLAV 22-500 TH washer - Chassis

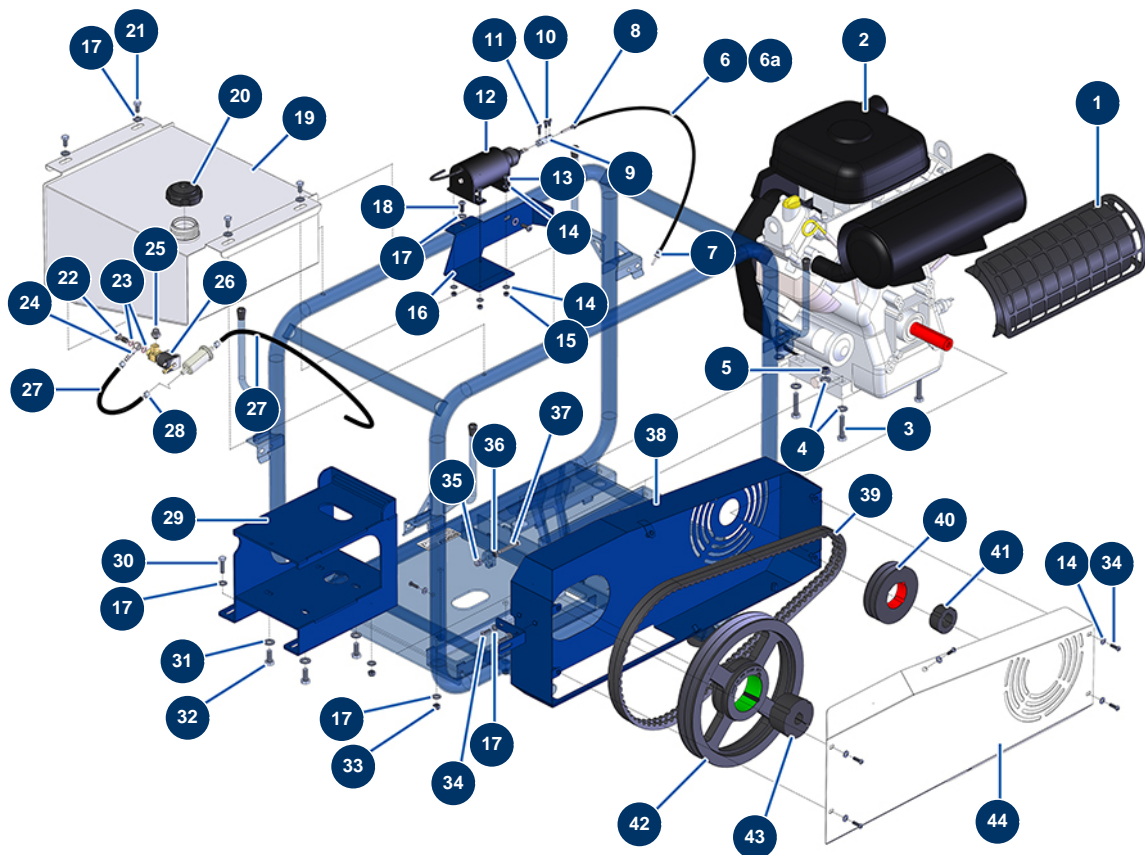


### Détails des pièces

Pos.	Référence	Désignation
1	90255	Arm handle for EUROPRO 24P, E50 and E100
2	11449	EUROPRO 50 et 100 compressor arm
3	30327	Black plastic end cap for ø 14 round tube
4	90179	EUROPRO 30+,36 and 40 compressor arm latch
5	60040	Compressor trigger spring
6	20001	EUROPRO 30+,36 and 40 compressor arm button
7	11466	Plastic arm spacer
8	90998	THEF 8 x 50 screw
9	13980	M 8 nylstop inox nut
10	13981	M 10 nylstop inox nut
11	80261	ø 10 inox medium washer
12	90196	Ø 60 x 25 M10 stop
13	80351	Complete Ø400 wheel with bearing - axle of 25

<b>Pos.</b>	<b>Référence</b>	<b>Désignation</b>
14	90282	Ø25 chromed clip

## EUROPROLAV 22-500 TH washer - Motorization



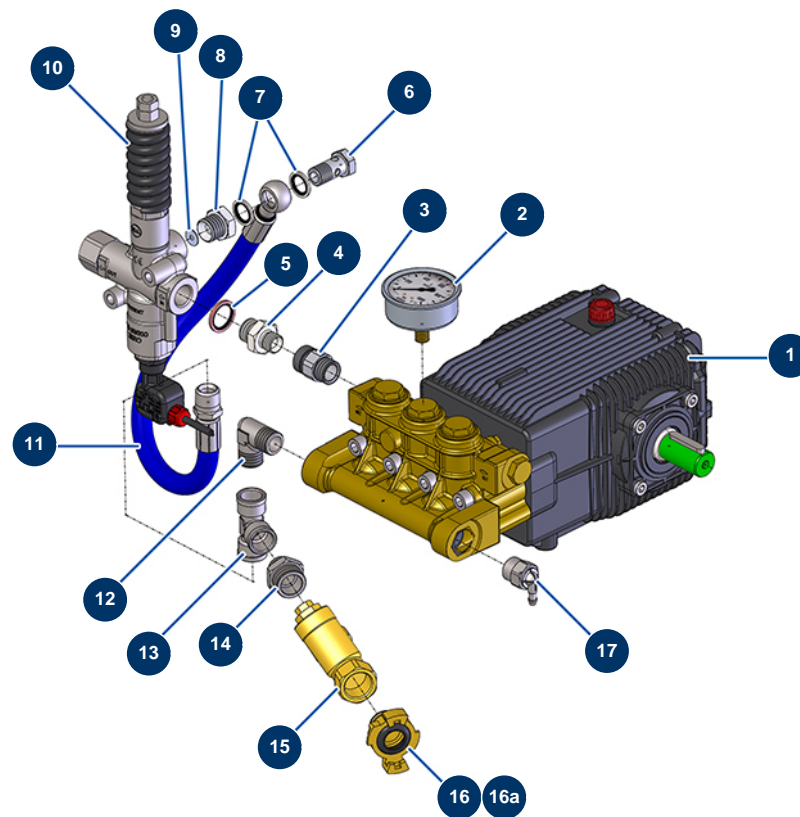
### Détails des pièces

Pos.	Référence	Désignation
1	C21701	500 bar washer exhaust protection grid
2	12668	VANGUARD 35 HP petrol motor
3	30260	THEF 10 x 50 screw
4	80261	ø 10 inox medium washer
5	13981	M 10 nylstop inox nut
6	12388	Gas lever steel cable sheath Ø 8 by the metre - C.P 60
6a	12387	Gas lever steel cable Ø 2.5 by the metre - C.P 60
7	M10648	22-500 washer motor accelerator cable clamp
8	12392	Motor sheath retainer - C.P 60
9	M10647	22-500 washer electrical accelerator cable clamp
10	90145	5 x 10 cylindrical head screw
11	90160	5 x 16 cylindrical head screw
12	80250	Electric automatic accelerator

Pos.	Référence	Désignation
13	90157	M6 x 16 cylindrical head screw - CP 60
14	80259	Ø 6 medium washer
14	80259	Ø 6 medium washer
14	80259	Ø 6 medium washer
15	14217	M 6 nylstop inox nut
16	C21695	16
17	80260	ø 8 inox medium washer
17	80260	ø 8 inox medium washer
17	80260	ø 8 inox medium washer
17	80260	ø 8 inox medium washer
17	80260	ø 8 inox medium washer
18	12111	8 x 20 inox cylindrical pan head screw
19	C20653	22-500 washer petrol tank
20	30634	Washer petrol tank plug 22-500
21	30295	THEF 8 x 16 screw
22	30757	22-500 washer 12V fuel solenoid valve capstan head screw
23	30759	22-500 washer 12V fuel solenoid copper gasket
24	30758	22-500 washer 12V fuel solenoid 7 corrugated banjo
25	11110	1/8" MaleC x 1/4" MaleC low-pressure nipple
26	30756	12V fuel solenoid valve, washer 22-500
27	12391	Gasoil supply hose Ø 7,5 mm (sold by the metre)
27	12391	Gasoil supply hose Ø 7,5 mm (sold by the metre)
28	60031	Ear clamp 11 x 13
29	C20651	29
30	11544	THEF 8 x 25 screw
31	80262	Very large inox washer Ø 6
32	30257	THEF 10 x 25 screw
33	13980	M 8 nylstop inox nut
34	11145	6 x 16 inox cylindrical pan head screw
34	11145	6 x 16 inox cylindrical pan head screw
35	30253	M 8 Inox cap nut
36	14075	M 8 inox nut
37	90998	THEF 8 x 50 screw
38	C20650	38

Pos.	Référence	Désignation
39	12726	
40	80207	17 pulley without double hub Ø 125
41	12724	Removable hub ø 1. 7/16 (36.5 mm) for 2012
42	12697	Pulley 17 without double hub ø 315
43	80206	Removable hub Ø 24 for 2517
44	C20643	44

## EUROPROLAV 22-500 TH washer - Pump

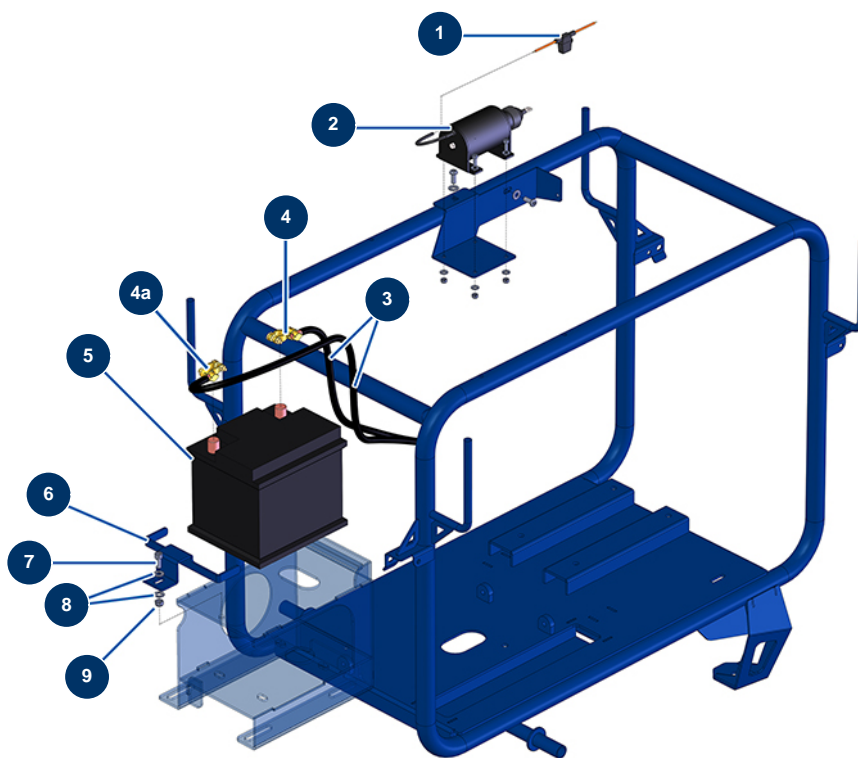


### Détails des pièces

Pos.	Référence	Désignation
1	12673	22 litres 500 bars pump - SHP 22.50 N - 1450 rpm
2	12688	Cylindrical oil 1/4 axial manometer 63 mm 0 to 1000 bar
3	12680	Male quick coupling M24-150 M x 1/2 M - 500 bar
4	90872	1/2" MaleD x 3/8" MaleD high-pressure nipple
5	91030	1/2 copper gasket for hollow screw
6	91033	3/8 drilled head screw
7	91031	Steel gasket for hollow screw with 3/8 lip
8	12895	3/8" FemaleD x 1/2" MaleD high-pressure nipple
9	14416	Insert ø 4,5 mm By-pass 500 bar with start-up contact
10	12674	500 bars bypass
11	10966	Pump bypass return hose 22-500, Voluclean 200, 250 & 300
12	11646	Elbow BP 90° 1/2" MaleC x 1/2" MaleC
13	12105	F1/2" x F1/2" x F1/2" low pressure T

Pos.	Référence	Désignation
14	11891	1/2" MaleD x 3/4" MaleD low-pressure nipple
15	12734	3/4 F x 3/4 F strainer
16	13573	3/4" outer threaded Geka coupling
16a	70030	Standard quick fit coupling gasket
17	90295	1/2" thermostatic valve

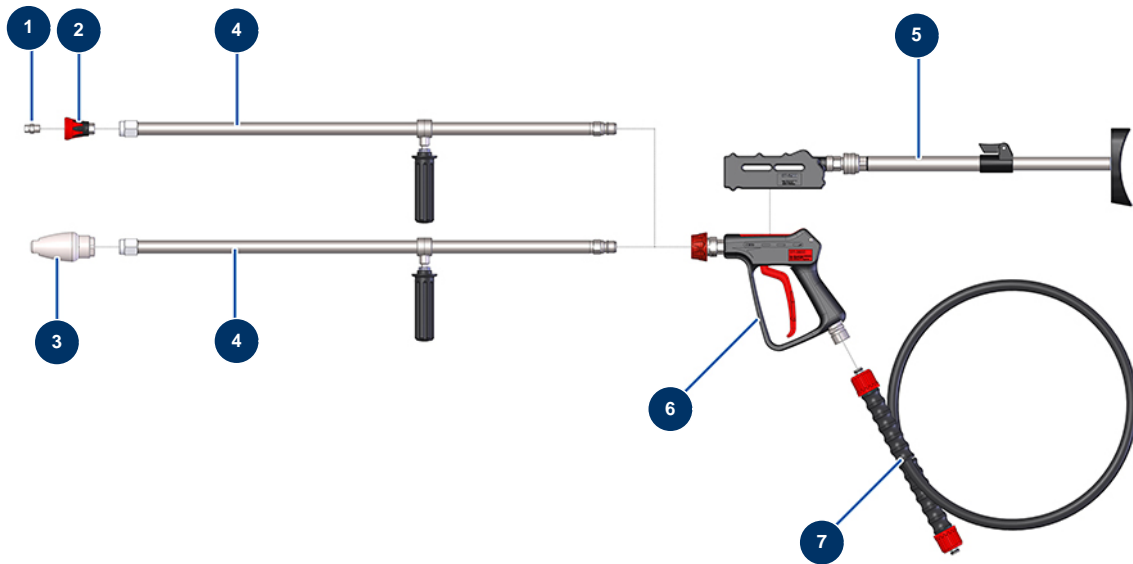
## EUROPOLAV 22-500 TH washer - Electricity



## Détails des pièces

Pos.	Référence	Désignation
1	80685	Jumper fuse holder with wires
2	80250	Electric automatic accelerator
3	80234	25 mm <sup>2</sup> battery cable by the metre
4	80230	Battery brass + lug
4a	80231	Battery brass - lug
5	80188	C.P 60 battery
6	C21960	6
7	80470	8 x 20 cylindrical head screw
8	80260	ø 8 inox medium washer
9	13980	M 8 nylstop inox nut

## EUROPOLAV 22-500 TH washer - Hose and lance



### Détails des pièces

Pos.	Référence	Désignation
1	12676	High pressure nozzle 15°-40 - 500 bars
2	12682	22-500 800 mm lance nozzle holder with ST 45 M coupler
3	12683	Rotating nozzle 500 bars 0.40
4	12681	22-500 800 mm lance hose with handle and ST 45 M coupler
4	12681	22-500 800 mm lance hose with handle and ST 45 M coupler
5	12684	Washer spray-gun cross-head 500 bars, ST 45 F coupler
6	12678	500 bar washer gun, coupler ST-45 F
7	12677	Washer hose Ø 10-500 bar 60 metres - 24x150F couplings