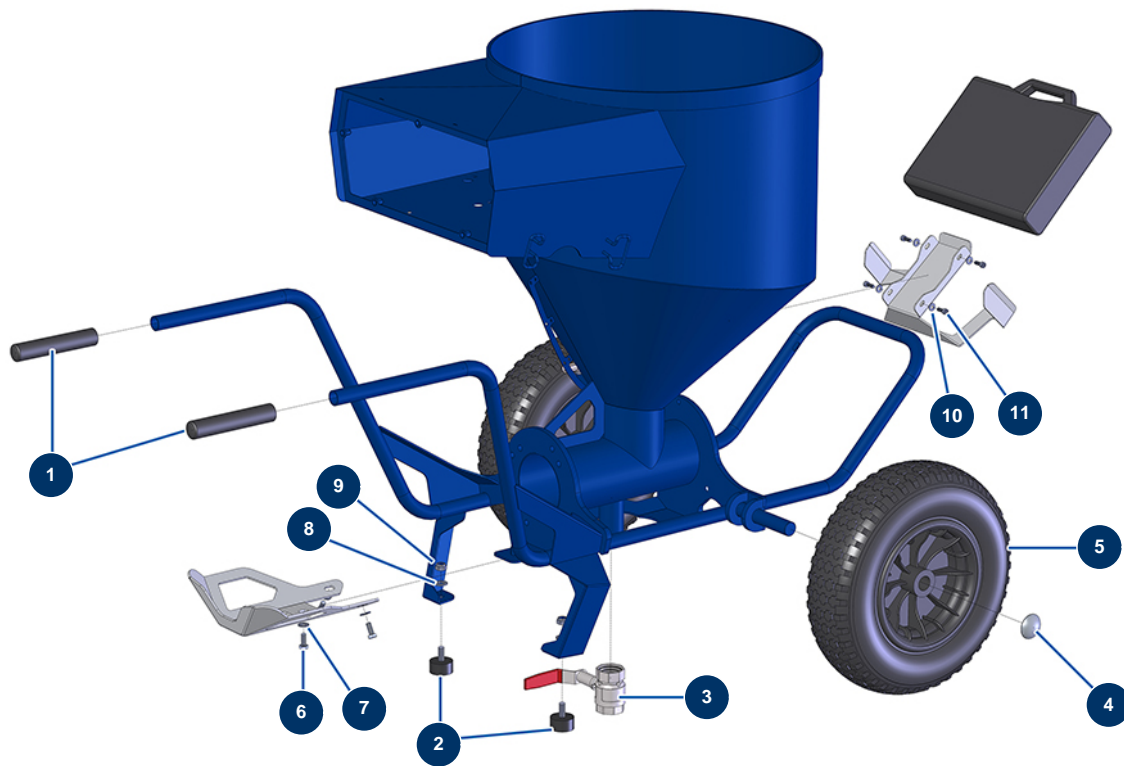


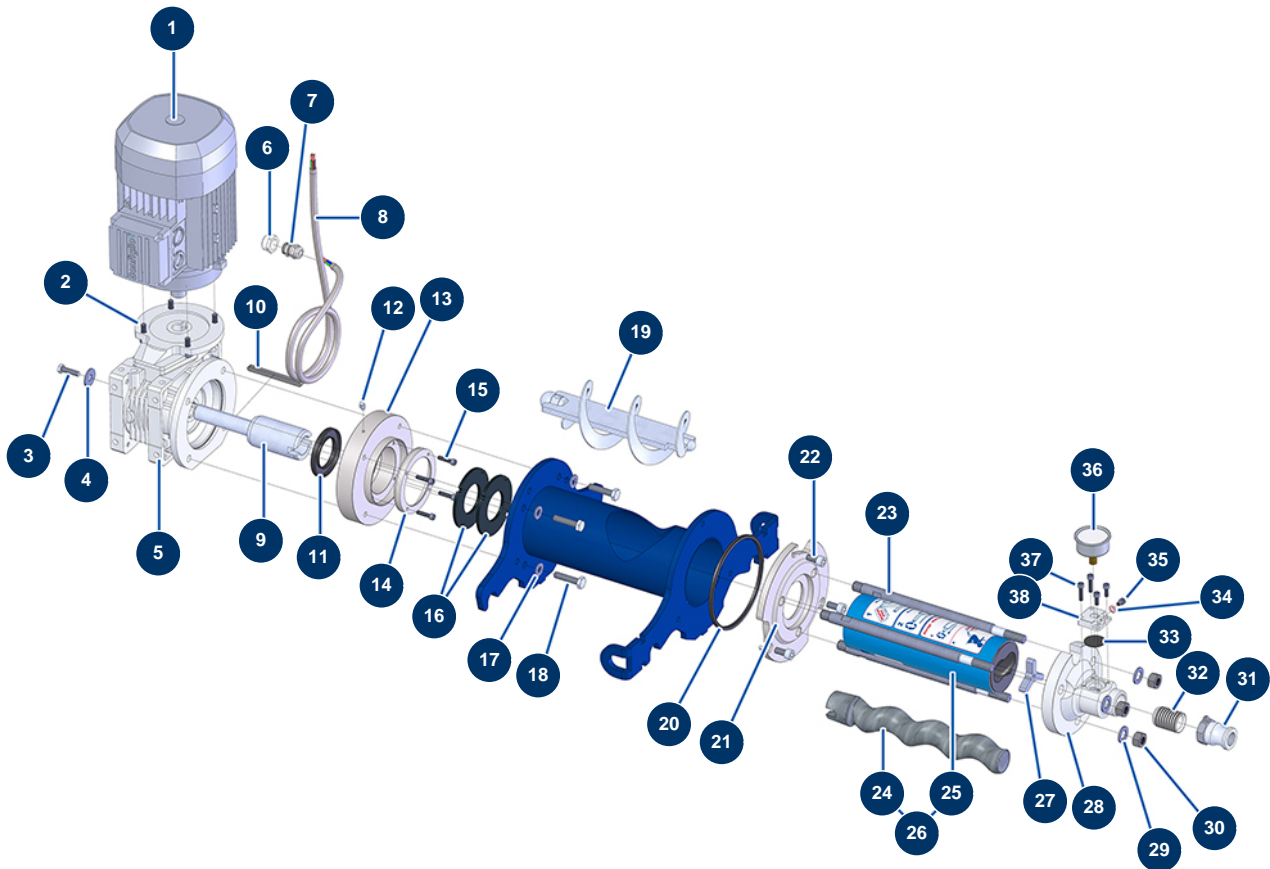
DROPPRO 30P spraying machine - Chassis



Détails des pièces

Pos.	Référence	Désignation
1	90255	Arm handle for EUROPRO 24P, E50 and E100
2	30145	Ø 40 x 20 M10 stop
3	14584	EUROPRO DROPPRO 30P drain valve
4	90282	Ø25 chromed clip
5	80003	Ø400 complete wheel with shaft of 25 for 100TH, MPE 300
6	30273	THEF 8 x 20 screw
7	80260	ø 8 inox medium washer
8	80261	ø 10 inox medium washer
9	13981	M 10 nylstop inox nut
10	80259	Ø 6 medium washer
11	90996	6 x 20 inox cylindrical head screw

DROPPRO 30P spraying machine - Transmission

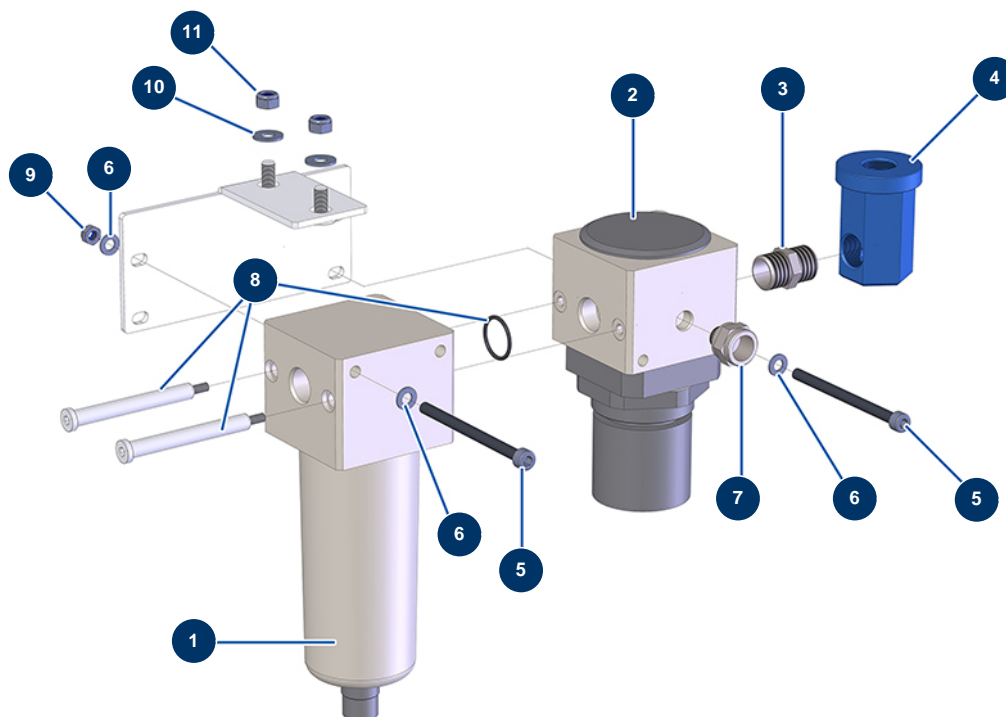


Détails des pièces

Pos.	Référence	Désignation
1	90189	Electric motor 2,2 kW - T90 - B14 - 1400 rpm - 400V
2	90157	M6 x 16 cylindrical head screw - CP 60
3	30258	THEF 10 x 30 screw
4	30293	ø 10 inox large washer
5	90504	Speed reducer 90° - T63 - R15 - B14/T90
6	80446	Cable gland reduction M 25-11
7	30040	Nickel plated watertight cable gland of 11 CEM
8	12774	Shielded cable 4 x 2,5 by the metre
9	M10221	Drive shaft for JETPRO 80
10	90750	8 x 7 x 100 parallel key with round end for 24P et PT
11	70107	Spi seal 50 x 80 x 8 for 24P,24PT, MPE300, COMPACT-PRO 30
12	60012	M6 straight lubricator
13	M10468	BONFI motor spacer flange for JETPRO, JETMIX 80 & 100

Pos.	Référence	Désignation
14	M10222	Flange seal for JETPRO 80 & 120
15	90157	M6 x 16 cylindrical head screw - CP 60
16	12507	Bottom of tank seal for JETPRO 80
17	80259	Ø 6 medium washer
18	12441	THEF 10 x 45 screw
19	C20561	JETPRO 80 connecting rod
20	12815	4-lobes seal for JETPRO / JETBAG 120 flange
21	M10670	DROPPRO 30P ø 90 stator flange
22	80668	10 x 20 cylindrical head screw
23	M10428	Fastening tie rod for SILOTECH
24	MI3F00529700	EUROPRO MAP 5 pump stator
25	MI7009107300	EUROPRO MAP 5/6 pump rotor CP30-type head
26	30445	EUROPRO MAP 5 pump rotor/stator kit
27	M10771	Ø62 pump head crosspiece
28	M10427	1" inner threaded stator flange
29	30286	ø 14 inox narrow washer
30	10036	M 14 nut
31	70002	1" inner threaded adapter for 4 to 14P
32	M10426	1" BSP outer threaded insert
33	12913	Pump nose manometer membrane for JETPRO 80, 120, JETBAG 120
34	12765	Copper seal for JETPRO 80 pump nose
35	12625	6 x 8 cylindrical head screw
36	12623	50 mm axial manometer 1/4" conical - 0 to 160 bar
37	80614	6 x 25 inox cylindrical head screw
38	M10079	MIXPRO 14 cage cover

DROPPRO 30P spraying machine - Regulating filter

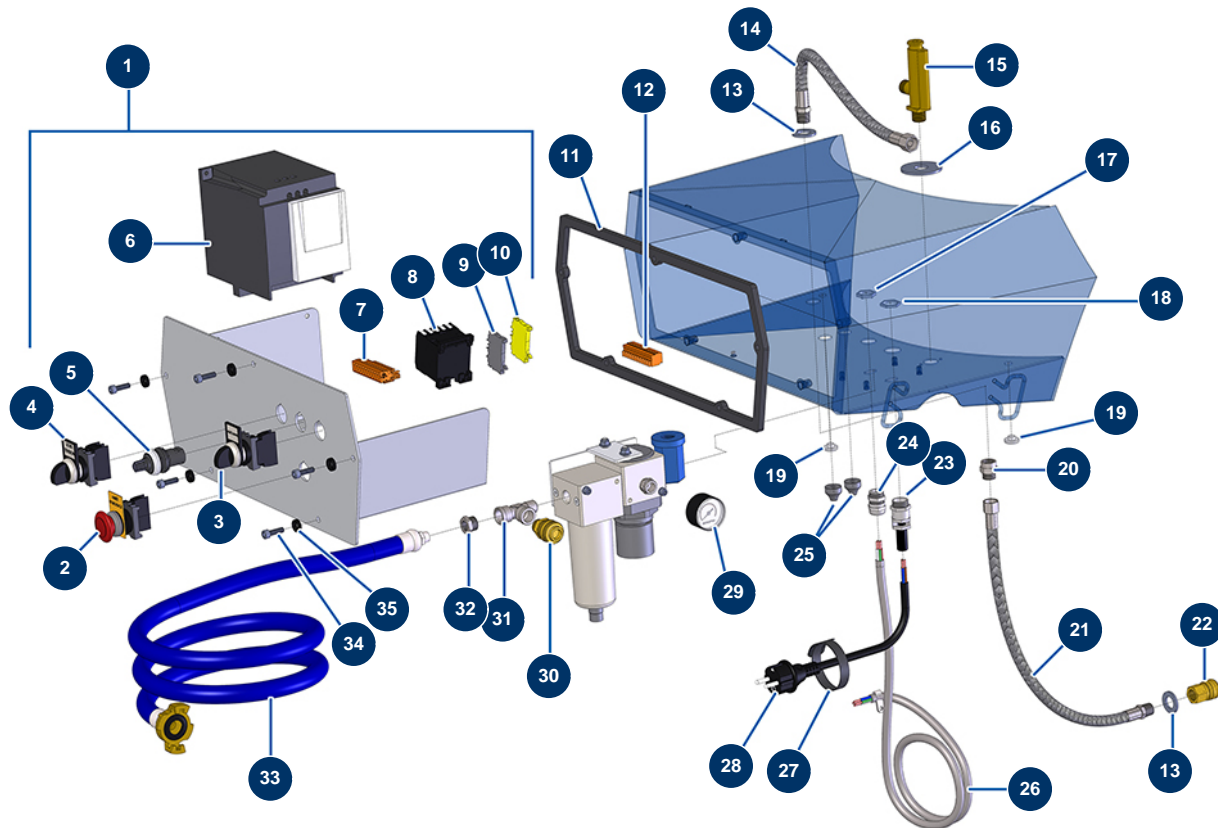


Détails des pièces

Pos.	Référence	Désignation
1	14387	Ffilter for DropPro 30P 3/8" regulator from 01/05/2019
2	14386	DropPro 30P 3/8" air regulator from 01/05/2019
3	30367	3/8" MaleC x 3/8" MaleC low-pressure nipple
4	90110	24 P nickel plated brass air inlet coupling
5	12447	5 x 70 cylindrical head screw
5	12447	5 x 70 cylindrical head screw
6	70085	ø 5 narrow washer
6	70085	ø 5 narrow washer
6	70085	ø 5 narrow washer
7	10899	1/8" MaleD x 1/4" FemaleD low-pressure nipple
8	14388	DropPro 30P 3/8" filter regulator assembly kit from 01/05/2019
9	70086	M 5 nylostop inox nut
10	30291	ø 6 large washer

Pos.	Référence	Désignation
11	20004	M 6 nylstop nut

DROPPRO 30P spraying machine - Electrical box and pneumatic circuit

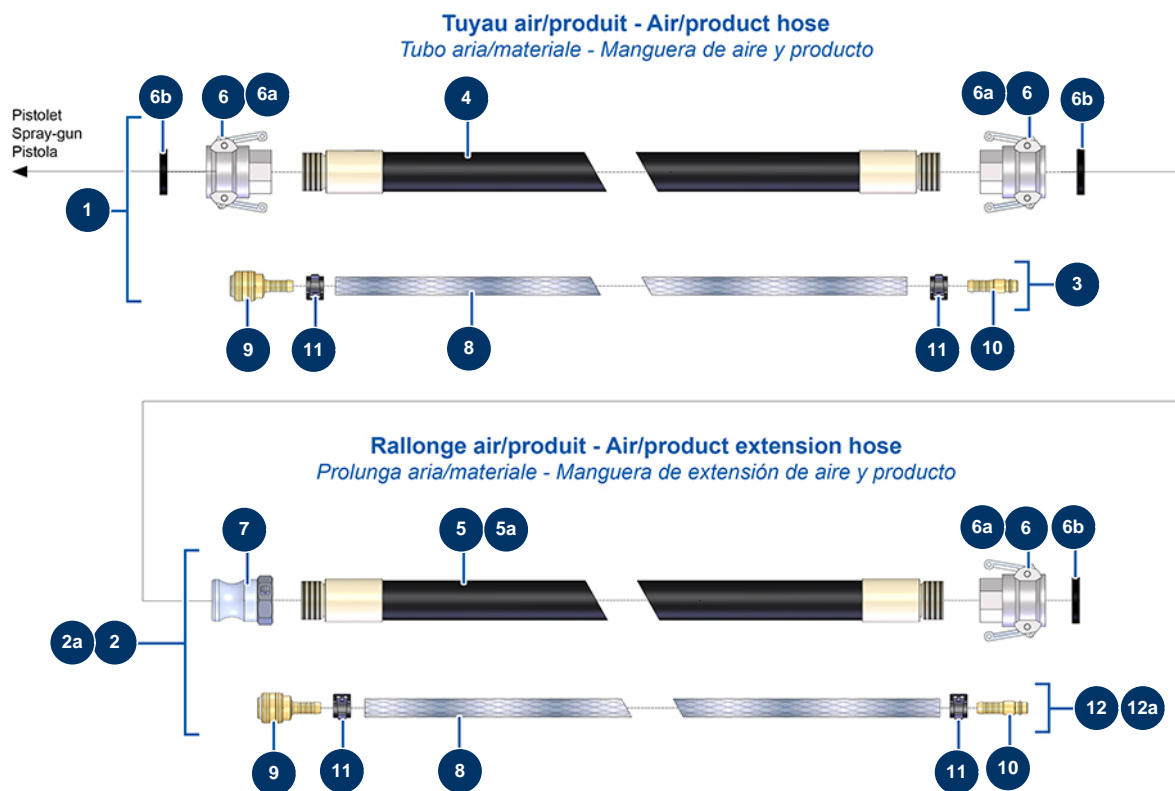


Détails des pièces

Pos.	Référence	Désignation
1	14582	Complete buttons electrical box for DROPPRO 30P Evo 2
2	90038	Complete EMERGENCY STOP button Ø 22
3	30014	Complete MANU-AUTO button
4	30034	Complete ON button
5	80645	Spraying machine complete potentiometer from MARCH 2003
6	80459	Inverter 230 V - 2.2 KW
7	11771	12 pins male connector
8	30011	230 Volt coil switch for sprayer
9	80467	Grey conductor block 4 mm ²
10	30038	Yellow and green conductive block 6 mm ²
11	14565	DROPPRO 30P electrical box gasket
12	11772	12 pins female connector
13	30288	Ø 16 inox narrow washer

Pos.	Référence	Désignation
13	30288	ø 16 inox narrow washer
14	80171	Flowmeter air hose for 14P
15	30005	Flowmeter for EUROPRO 4-6-8-14 and 24 P
16	10003	ø 16 large washer
17	30333	Cable gland locknut of 11 CEM
18	30054	Cable gland locknut of 13
19	80397	Water exhaust cork for electrical box
19	80397	Water exhaust cork for electrical box
20	91053	3/8" MaleD x 3/8" FemaleD low-pressure nipple
21	90488	ECO 130 flow meter air hose
22	70035	3/8" inner threaded female quick fit coupling
23	80451	Brass cable gland of 13 for power cable
24	30040	Nickel plated watertight cable gland of 11 CEM
25	11564	M 16 grey rubber cable gland
26	12774	Shielded cable 4 x 2,5 by the metre
27	12411	Self-gripping collar 20 x 330 mm
28	90214	Power cable with molded plug 3G 2,5 mm ²
29	80023	Axial manometer 1/8 conical 40 mm 0 to 10 bar
30	80081	Female quick fit coupling outer threaded 3/8" Ø 6
31	12530	M3/8" x F3/8" x F3/8" low pressure T
32	90242	3/8" MaleC x 1/4" FemaleD low-pressure reduction
33	90543	6-8-14 and 24 P machine supply air hose
34	90996	6 x 20 inox cylindrical head screw
35	80573	Hollow washer Ø 6

DROPPRO 30P spraying machine - Hoses and extensions



Détails des pièces

Pos.	Référence	Désignation
1	50026	ø 25 x 10 metres air product hose 14 P
2	50046	Air-product extension Ø25 x 5 m
2a	11633	Air-product extension Ø25 x 10 m
3	91064	Complete air hose for lance 11,15 m 14P and 24P
4	50013	25 x 10 m product hose outer threaded 1"
5	50010	25 x 5 m product hose outer threaded 1"
5a	50013	25 x 10 m product hose outer threaded 1"
6	70007	1" camlock alu coupling, inner threaded 1" for 6, 8, 14 & 24P
6	70007	1" camlock alu coupling, inner threaded 1" for 6, 8, 14 & 24P
6	70007	1" camlock alu coupling, inner threaded 1" for 6, 8, 14 & 24P
6a	90689	1" cam coupler
6a	90689	1" cam coupler
6a	90689	1" cam coupler

Pos.	Référence	Désignation
6b	70014	1" cam coupler gasket
6b	70014	1" cam coupler gasket
6b	70014	1" cam coupler gasket
7	70002	1" inner threaded adapter for 4 to 14P
8	50003	Clear braided PVC hose Ø 10 x 16 by the metre
8	50003	Clear braided PVC hose Ø 10 x 16 by the metre
9	70004	Female quick fit coupling with corrugated shank of 9
9	70004	Female quick fit coupling with corrugated shank of 9
10	70018	Corrugate male quick fit coupling of 9
10	70018	Corrugate male quick fit coupling of 9
11	12218	Spring collar Ø 15
11	12218	Spring collar Ø 15
11	12218	Spring collar Ø 15
11	12218	Spring collar Ø 15
12	91062	Complete air hose for lance 5,25 m 4P
12a	91064	Complete air hose for lance 11,15 m 14P and 24P