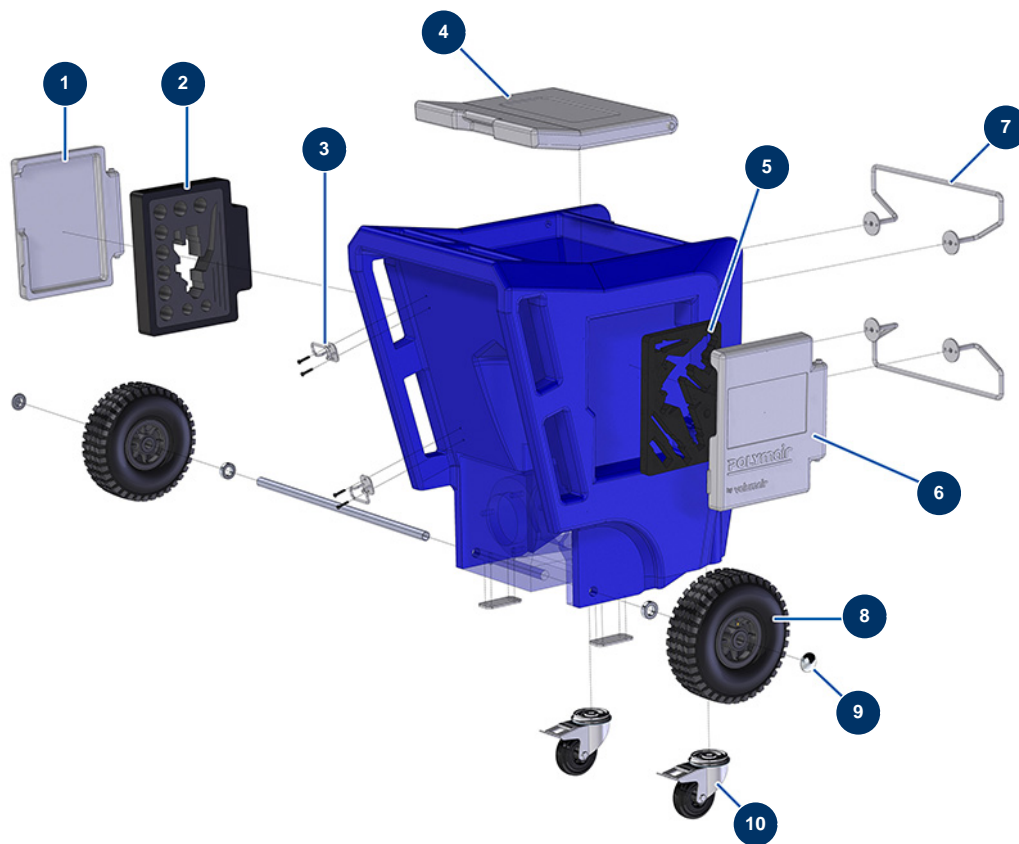


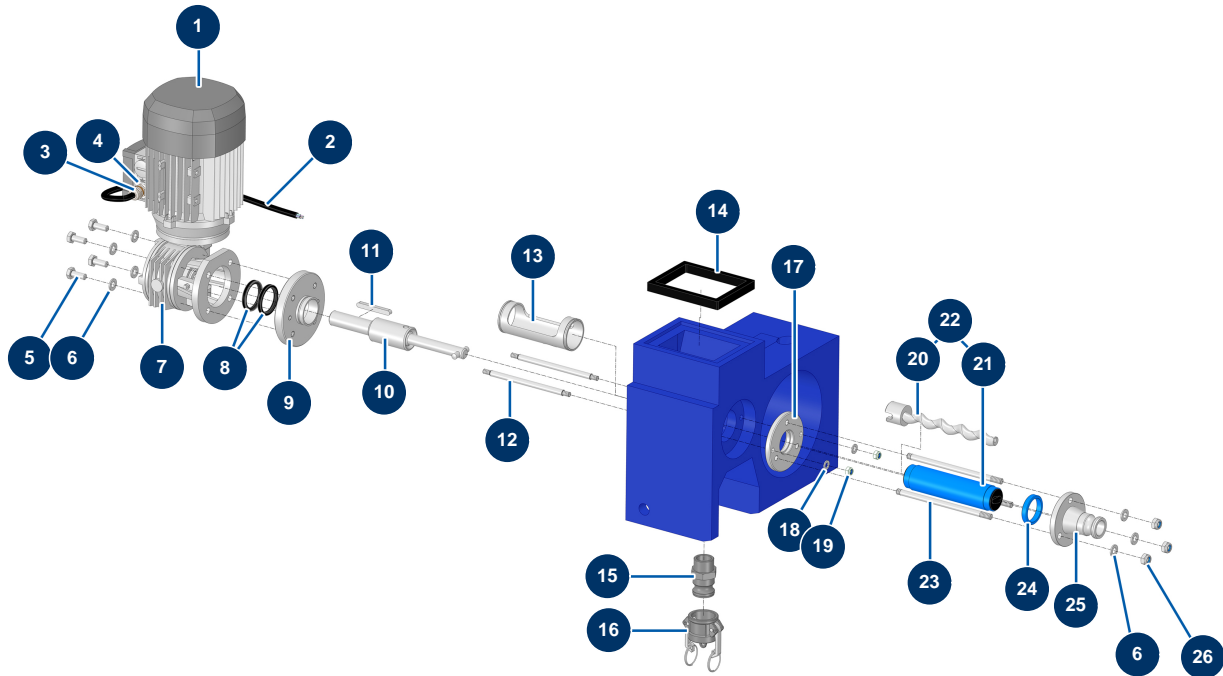
POLYMAIR 4 HVLP spraying system - Chassis



Détails des pièces

Pos.	Référence	Désignation
1	11765	Rotomolded right door for POLYMAIR
2	11769	POLYMAIR lance wedging foam
3	11745	POLYMAIR cable reel hook support
4	11767	POLYMAIR tank rotomolded hood
5	12316	POLYMAIR spray-gun wedging foam
6	11766	Rotomolded left door for POLYMAIR
7	11744	POLYMAIR hose reel
8	80001	Complete wheel 260 shaft of 20 for 6,8,14P, MPE 80 and 200, 7000z, 9000z
9	90281	Ø20 chromed clip
10	11681	POLYMAIR pivoting wheel

POLYMAIR 4 HVLP spraying system - Transmission

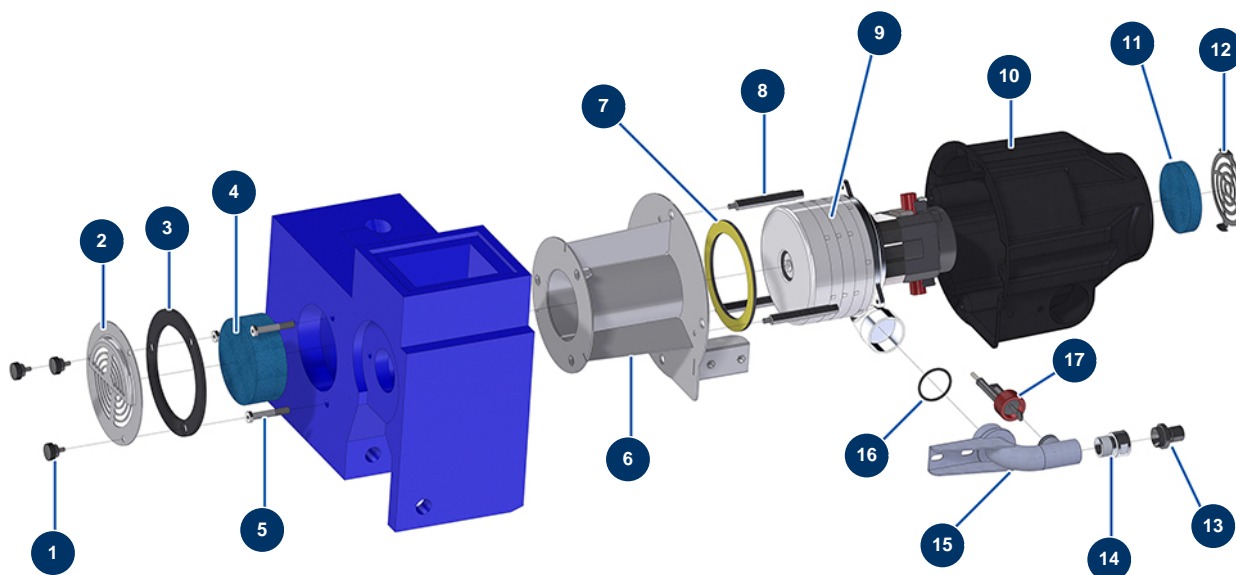


Détails des pièces

Pos.	Référence	Désignation
1	90549	Electric motor 0,75 kW - T80 - B14 -1400 rpm - 400V
2	90606	Shielded cable 4 x 1,5 by the metre
3	30040	Nickel plated watertight cable gland of 11 CEM
4	80599	Cable gland reduction M 25-13
5	30257	THEF 10 x 25 screw
6	30280	ø 10 inox narrow washer
6	30280	ø 10 inox narrow washer
7	90355	Speed reducer 90° - T50 - R20 - B14/T80
8	70062	Spi seal 40 x 52 x 7 for 4,6,8P, AG, MPE, 7000z, 9000z
9	11749	POLYMAIR motor flange
10	11751	Drive shaft for POLYMAIR
11	90749	8 x 7 x 65 parallel key with round end for 6P,8P,14P,7000z,9000z
12	11787	POLYMAIR transmission spacer

Pos.	Référence	Désignation
13	M10282	POLYMAIR spacer tube
14	11779	POLYMAIR base foam seal
15	11674	1" POLYPRO outer threaded adapter for POLYMAIR 4
16	11675	1" POLYPRO female plug with cams for POLYMAIR 4
17	11750	POLYMAIR stator flange
18	30256	∅ 8 inox narrow washer
19	13980	M 8 nylstop inox nut
20	MI7009107000	EUROPRO MAP 1 pump rotor
21	MI3F00529000	EUROPRO MAP 1 pump stator
22	30441	EUROPRO MAP 1 pump rotor/stator kit
23	11748	Fastening tie rod for POLYMAIR 4
24	10885	
25	10015	EUROPRO 4 and 6 P stator clamp blue
26	13981	M 10 nylstop inox nut

POLYMAIR 4 HVLP spraying system - Turbine

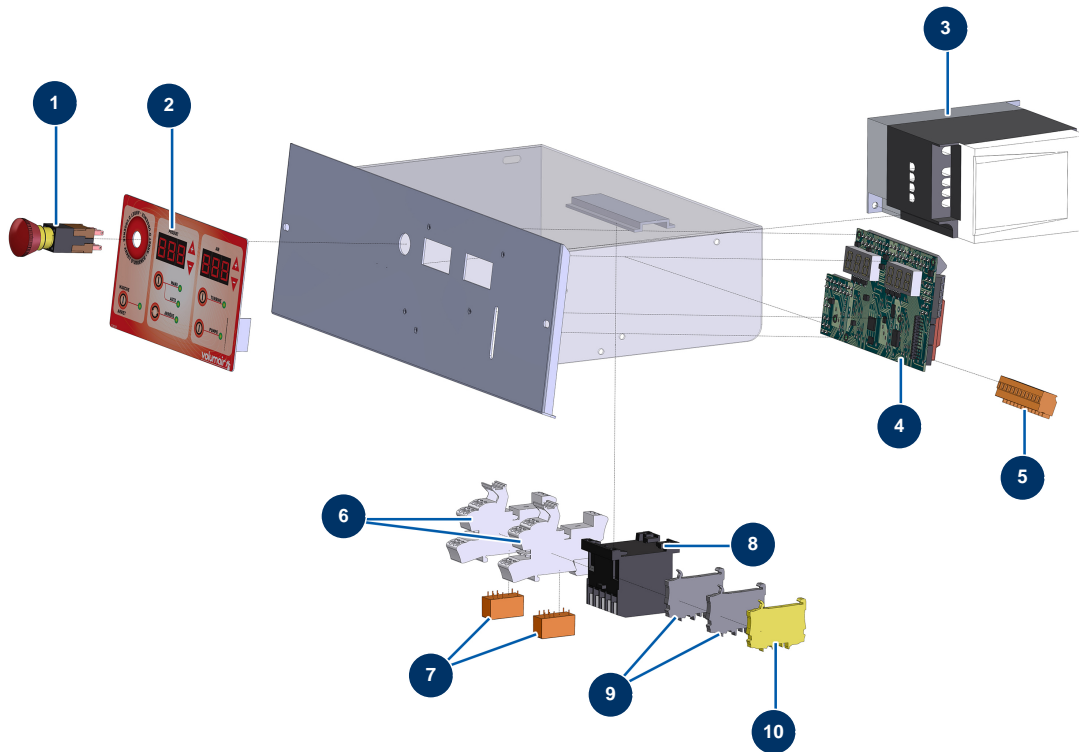


Détails des pièces

Pos.	Référence	Désignation
1	12261	Ø22 M5 x 10 outer threaded plastic thumb wheel
2	11791	POLYMAIR ventilation grid
3	13996	POLYMAIR 2017 ventilation grid gasket
4	13982	POLYMAIR 2017 foam filter
5	M10577	POLYMAIR 2017 assembling screw
6	C21979	POLYMAIR 2017 turbine support
7	13990	EOLE T5 2017 turbine bearing seal
8	M10552	EOLE T5 2017 turbine fixation spacer
9	13835	5-stage turbine - 230V
10	13992	POLYMAIR 2017 turbine crankcase
11	11931	Blowing machine air filter Ø 90
12	C21941	T2 2017 ventilation grid
13	M10557	EOLE T2/T5 2017 male quick-connector

Pos.	Référence	Désignation
14	1022230	Turbine outlet air exhaust valve
15	C21985	POLYMAIR 2017 air outlet elbow
16	1001269	O-ring 38 x 3
17	13999	POLYMAIR 2017 air flow rate controller

POLYMAIR 4 HVLP spraying system - Electrical box

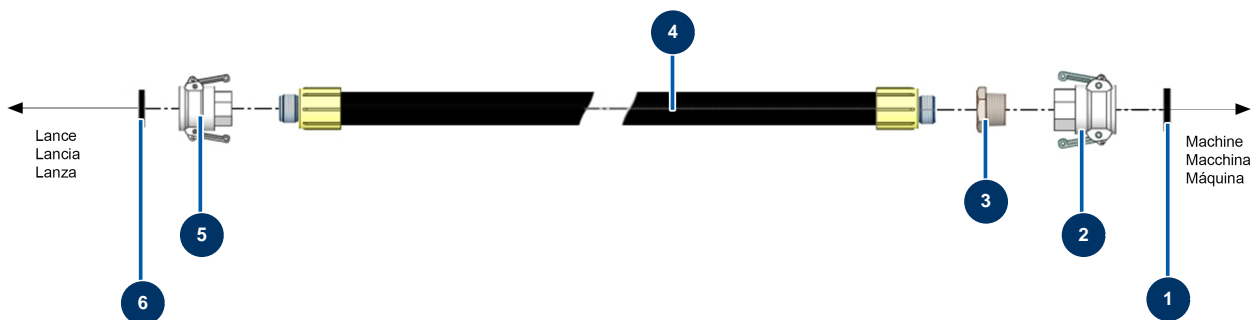


Détails des pièces

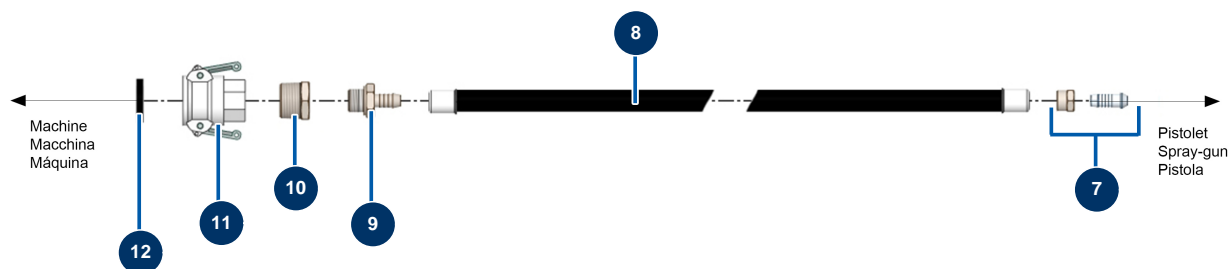
Pos.	Référence	Désignation
1	13015	Hanging EMERGENCY STOP button Ø16
2	13010	POLYMAIR front with membrane
3	11781	Inverter 230 V - 0,75 KW
4	30674	POLYMAIR 4 & 6 electronic card
5	11772	12 pins female connector
6	12751	Plug-in miniature relay base
7	12752	Plug-in miniature relay 24V AC - 1RT
8	11918	Coil contactor 24 Volt AC
9	80467	Grey conductor block 4 mm ²
10	30038	Yellow and green conductive block 6 mm ²

POLYMAIR 4 HVLP spraying system - Hoses

Tuyau produit - Product hose
Tubo materiale - Manguera de producto



Tuyau peinture - Paint hose
Tubo per vernice - Manguera de pintura



Détails des pièces

Pos.	Référence	Désignation
1	70013	3/4" cam coupler gasket
2	70001	3/4" camlock alu coupling, inner threaded 3/4" for 4 & 6P
3	90789	1" MaleC x 3/4 FemaleD low-pressure reduction
4	10267	4
5	70007	1" camlock alu coupling, inner threaded 1" for 6, 8, 14 & 24P
6	70014	1" cam coupler gasket
7	70065	Rotating connector 3/8" corrugated Ø 12
8	10273	8
9	10222	
10	91054	1" MaleC x 1/2" FemaleD low-pressure reduction
11	70007	1" camlock alu coupling, inner threaded 1" for 6, 8, 14 & 24P
12	70014	1" cam coupler gasket