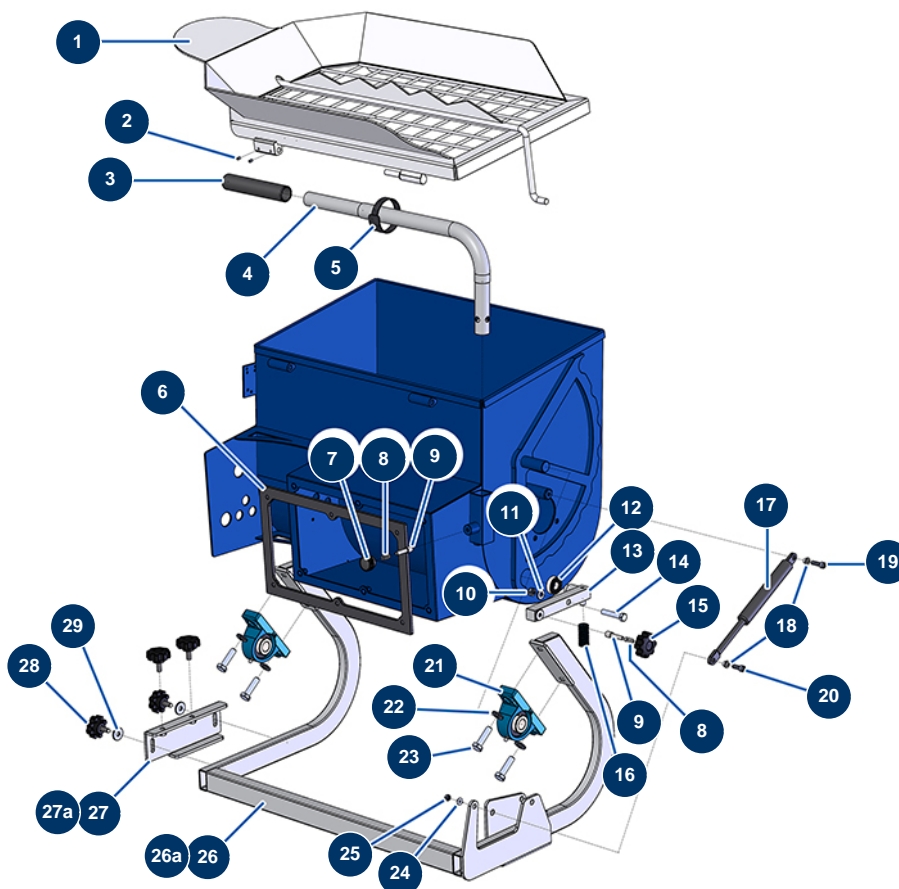


## MIXPRO 80 PREMIUM sequential mixer - Chassis

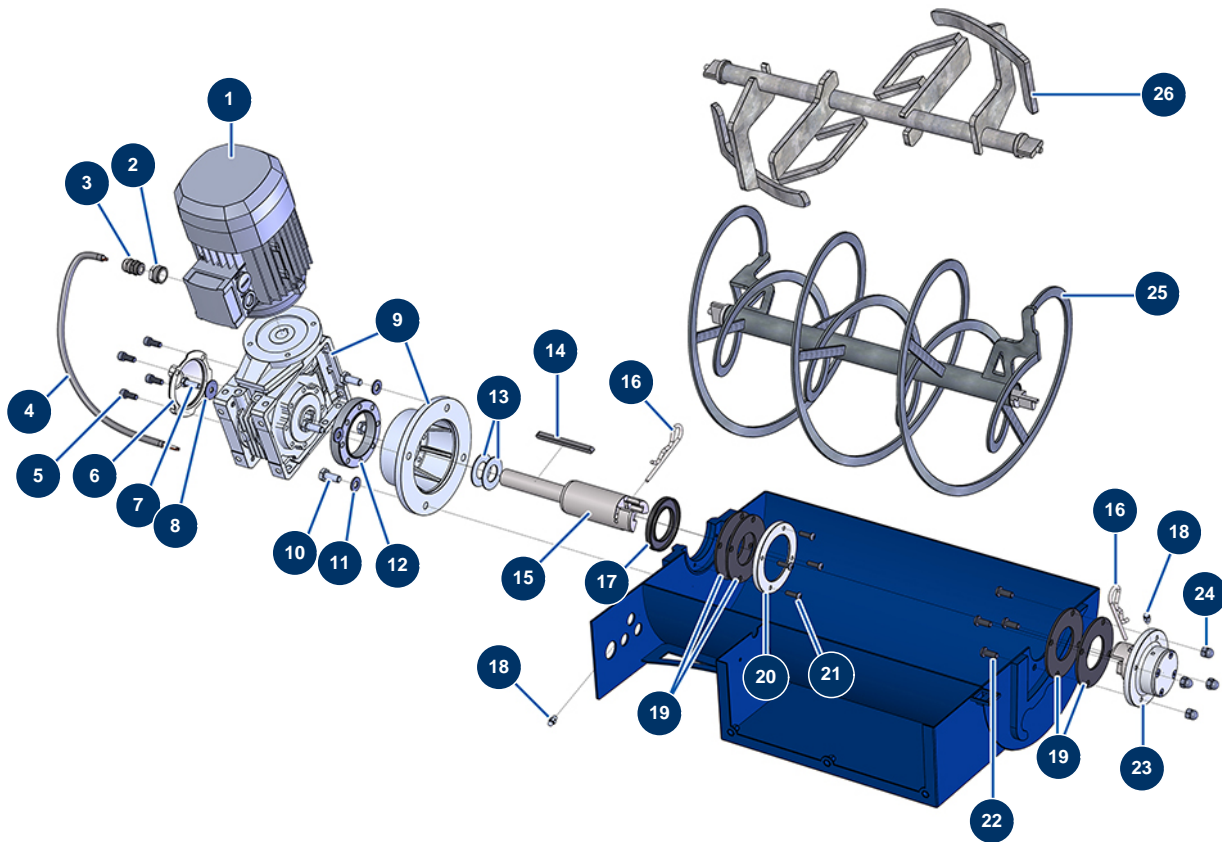


### Détails des pièces

Pos.	Référence	Désignation
1	11488	COMPACT-PRO mixer grid
2	1010359	8 x 8 stainless steel socket head screw with pointed tip
3	90255	Arm handle for EUROPRO 24P, E50 and E100
4	11507	MIXPRO 80 mixer arm
5	12410	Self-gripping collar with loop 12,7 x 228 mm
6	12844	C.P IDEAL MIXER with card electrical box gasket
7	20001	EUROPRO 30+,36 and 40 compressor arm button
8	60040	Compressor trigger spring
8	60040	Compressor trigger spring
9	M10047	C.P mixer tank trigger
9	M10047	C.P mixer tank trigger
10	80260	ø 8 inox medium washer
11	80260	ø 8 inox medium washer

Pos.	Référence	Désignation
12	1010323	C.P mixer bearing
13	11530	CP30 MIXER roller support
14	11798	THEF 8 x 45 screw
15	11515	Plastic thumb wheel M8
16	11495	CP mixer roller spring
17	11497	CP mixer gas spring
18	M10048	Mixer gas spring spacer
19	90996	6 x 20 inox cylindrical head screw
20	80614	6 x 25 inox cylindrical head screw
21	11502	COMPACT-PRO mixer bearing
22	80261	ø 10 inox medium washer
23	30259	THEF 10 x 40 screw
24	70087	ø 6 inox narrow washer
25	14217	M 6 nylstop inox nut
26	11485	COMPACT-PRO mixer chassis before 02/2020
26a	C22731	COMPACT-PRO mixer chassis from 02/2020
27	11484	COMPACT-PRO mixer fixing support before 02/2020
27a	C22729	COMPACT-PRO mixer fixing support from 02/2020
28	11514	Plastic thumb wheel M8 x 20
29	80263	Very large inox washer Ø 8

## MIXPRO 80 PREMIUM sequential mixer - Transmission

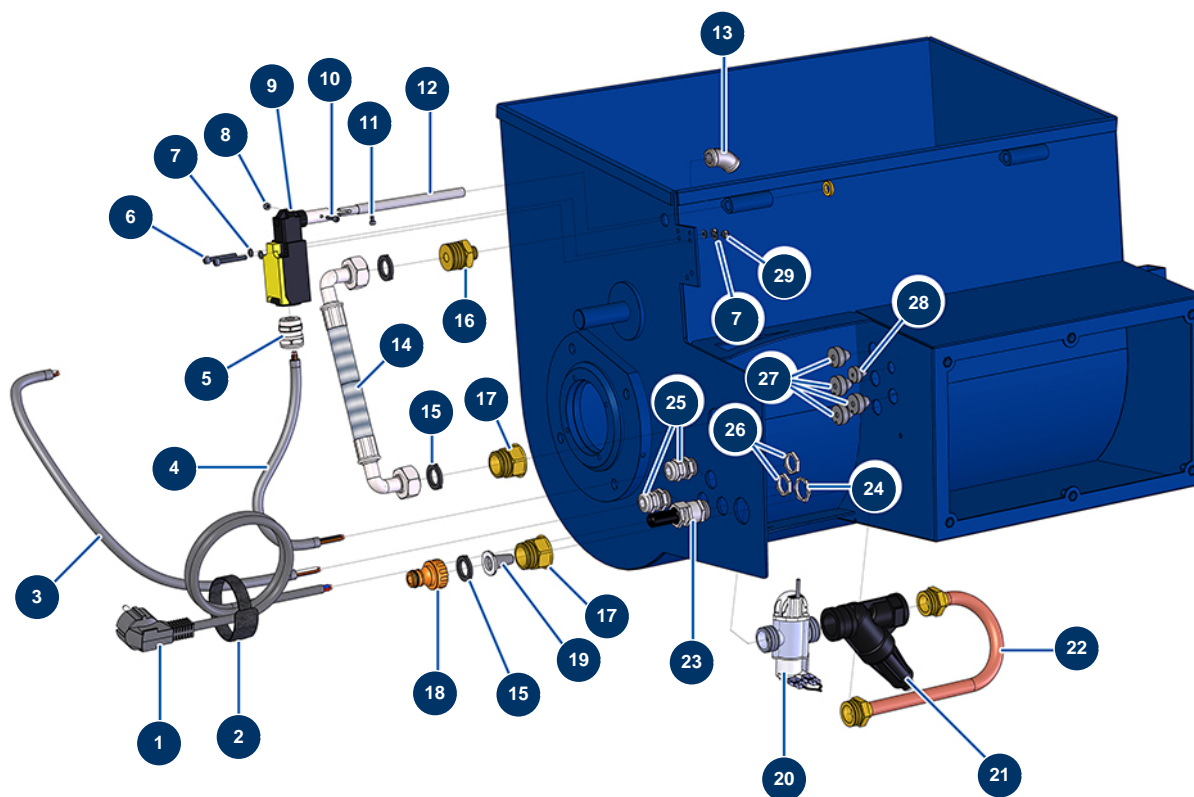


### Détails des pièces

Pos.	Référence	Désignation
1	30043	Electric motor 1,1 kW - T80 - B14 - 1400 rpm - 400V
2	80446	Cable gland reduction M 25-11
3	30082	Nickel plated watertight cable gland of 11
4	90606	Shielded cable 4 x 1,5 by the metre
5	12249	3 x 12 cylindrical head screw
6	90287	14 P2 & 24 P gear reducer plastic cover
7	11544	THEF 8 x 25 screw
8	80263	Very large inox washer Ø 8
9	11513	Speed reducer 90° - T63 - R30 - B14/T80
10	30257	THEF 10 x 25 screw
11	80261	ø 10 inox medium washer
12	11524	Bonfiglioli gear-reducer spacer
13	C20657	CP30 mixer wedging washer

Pos.	Référence	Désignation
14	90750	8 x 7 x 100 parallel key with round end for 24P et PT
15	M10063	COMPACT PRO IDEAL mixed rapid transmission shaft
16	12157	Beta pin Ø 4.5 x 70
16	12157	Beta pin Ø 4.5 x 70
17	70107	Spi seal 50 x 80 x 8 for 24P,24PT, MPE300, COMPACT-PRO 30
18	60012	M6 straight lubricator
18	60012	M6 straight lubricator
19	12042	C.P mixer rapid transmission gasket
19	12042	C.P mixer rapid transmission gasket
20	M10065	Support washers for COMPACT-PRO mixer gasket
21	12110	6 x 20 inox cylindrical pan head screw
22	12111	8 x 20 inox cylindrical pan head screw
23	M07013	CP MIXER complete transmission bearing
24	30253	M 8 Inox cap nut
25	C20233	COMPACT-PRO mixer propeller
26	C20260	Paddle mixing propeller

## MIXPRO 80 PREMIUM sequential mixer - Hydraulic circuit

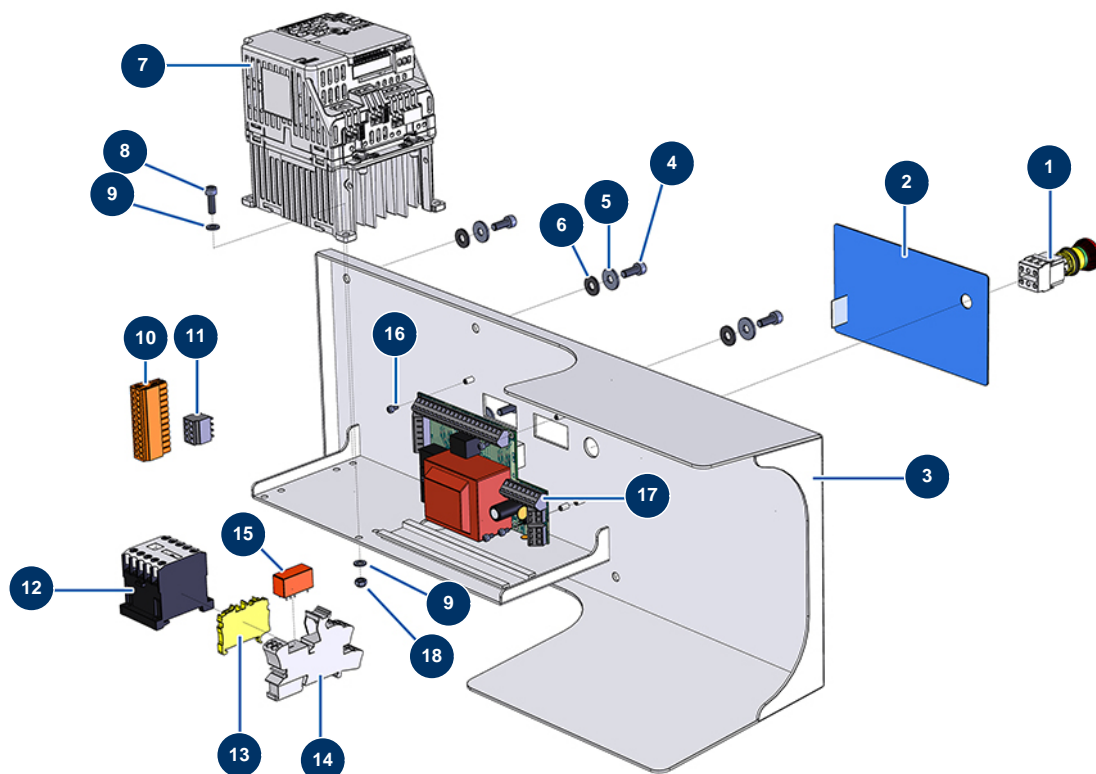


### Détails des pièces

Pos.	Référence	Désignation
1	90180	Supply cable with moulded plug 3G 1,5 mm <sup>2</sup>
2	12410	Self-gripping collar with loop 12,7 x 228 mm
3	90606	Shielded cable 4 x 1,5 by the metre
4	30018	H07RNF 4G1.5 electrical cable by the metre
5	80448	M 20 waterproof cable gland
6	11882	4 x 30 cylindrical head screw
7	30267	ø 4 inox narrow washer
7	30267	ø 4 inox narrow washer
8	12737	M 3 nylon stop nut
9	12742	Version 2 CP mixer grid switch
10	12250	3 x 16 cylindrical head screw
11	13329	3 x 6 cylindrical head screw
12	11500	CP mixer grid switch hinge axle

Pos.	Référence	Désignation
13	12104	45° inox low-pressure elbow FemaleD 1/4 x MaleD 1/4
14	12642	COMPACT PRO IDEAL mixer supply hose
15	11618	3/4" red fiber flat gasket
15	11618	3/4" red fiber flat gasket
16	12640	3/4" MaleD x 1/4" MaleD low-pressure nipple
17	12562	3/4" MaleD x 3/4" FemaleD low-pressure nipple
17	12562	3/4" MaleD x 3/4" FemaleD low-pressure nipple
18	80124	Inner threaded 3/4" quick connector
19	80128	Filter for 3/4" brass quick connector
20	14979	Flowmeter electrovalve 24VDC G1/2
21	12066	Water pressure regulator 0.8 to 2.5 bar
22	C20583	COMPACT-PRO mixer copper hose
23	80450	cable gland for 11mm supply cable
24	30060	11mm cable gland nut
25	30040	Nickel plated watertight cable gland of 11 CEM
26	30333	Cable gland locknut of 11 CEM
27	11564	M 16 grey rubber cable gland
28	11563	M 12 grey rubber cable gland
29	30266	M 4 nylstop nut

## MIXPRO 80 PREMIUM sequential mixer - Electrical box



### Détails des pièces

Pos.	Référence	Désignation
1	13015	Hanging EMERGENCY STOP button Ø16
2	13007	IDEAL MIXER front with membrane
3	C20758	COMPACT-PRO IDEAL mixer electrical box door
4	90157	M6 x 16 cylindrical head screw - CP 60
5	30292	ø 8 inox large washer
6	10067	7 x 16 rubber washer
7	11781	Inverter 230 V - 0,75 KW
8	90160	5 x 16 cylindrical head screw
9	10142	ø 25 inox narrow washer
9	10142	ø 25 inox narrow washer
10	11771	12 pins male connector
11	12755	4-pin female connector
12	11918	Coil contactor 24 Volt AC

Pos.	Référence	Désignation
13	30038	Yellow and green conductive block 6 mm <sup>2</sup>
14	12751	Plug-in miniature relay base
15	12752	Plug-in miniature relay 24V AC - 1RT
16	13329	3 x 6 cylindrical head screw
17	30673	C.P IDEAL MIXER & MIXPRO 100 electronic card
18	11880	M 5 nylstop nut