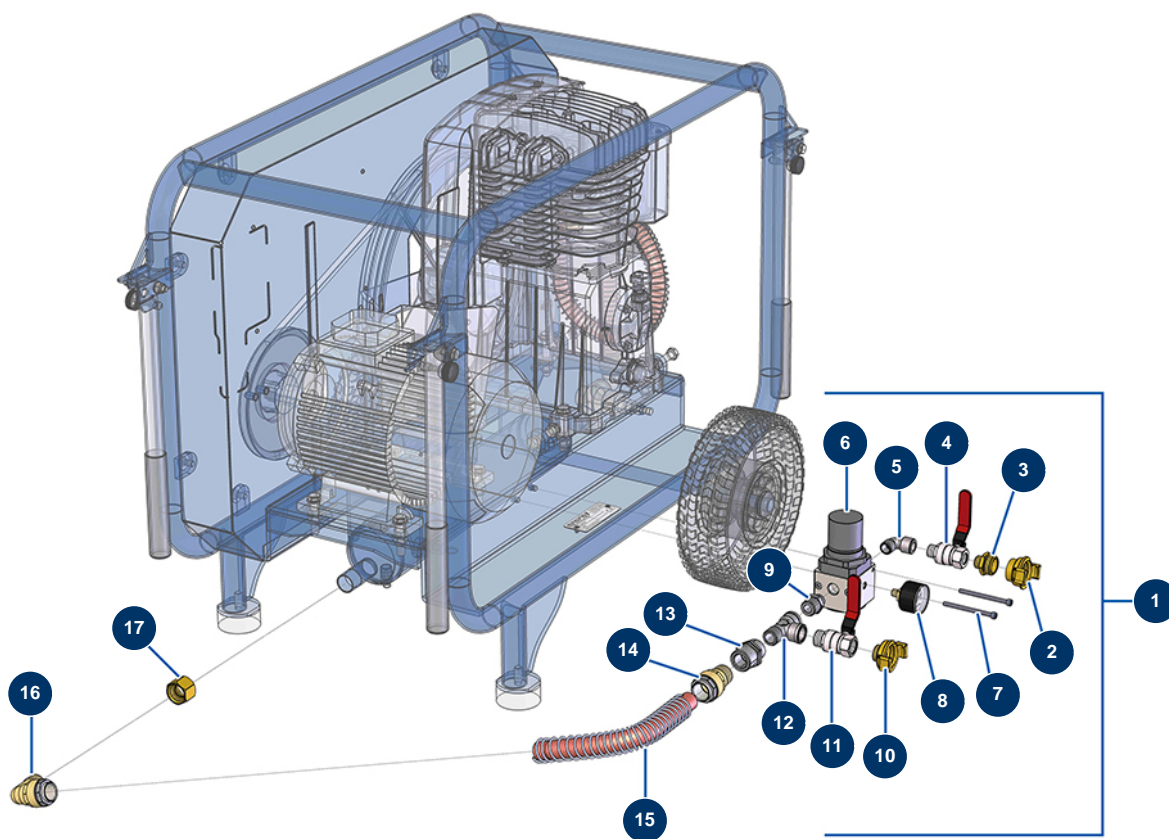


Thermal compressor air regulator kit - General view



Détails des pièces

| Pos. | Référence | Désignation |
|------|-----------|---|
| 1 | 14847 | Thermal compressor air regulator kit |
| 2 | 12117 | 3/4" inner threaded Geka coupling |
| 3 | 80566 | 3/8" MaleD x 3/4" MaleD low-pressure nipple |
| 4 | 90011 | Red handle valve M3/8" x F3/8" |
| 5 | 30120 | Elbow BP 90° 3/8 MaleC x 3/8 FemaleD |
| 6 | 14386 | DropPro 30P 3/8" air regulator from 01/05/2019 |
| 7 | 12447 | 5 x 70 cylindrical head screw |
| 8 | 80023 | Axial manometer 1/8 conical 40 mm 0 to 10 bar |
| 9 | 80339 | 3/8" MaleC x 1/2" MaleC low-pressure nipple |
| 10 | 13572 | 1/2" outer threaded Geka coupling" |
| 11 | 90023 | Red handle valve M1/2" x F1/2" |
| 12 | 12205 | M1/2" x F1/2" x F1/2" low pressure T |
| 13 | 10945 | 3/4" FemaleD x 1/2" FemaleD low-pressure nipple |

| Pos. | Référence | Désignation |
|------|-----------|---|
| 14 | 11198 | Push-in connector for EUROPRO 50-3, 100-3 compressor hose |
| 15 | 10688 | Spring for E100 steel compressor outlet pipe |
| 16 | 11383 | Elbow push-in connector for EUROPRO 50-3, 100-3 compressor hose |
| 17 | 11311 | 3/4" FemaleD x 3/4" FemaleD low-pressure nipple |