

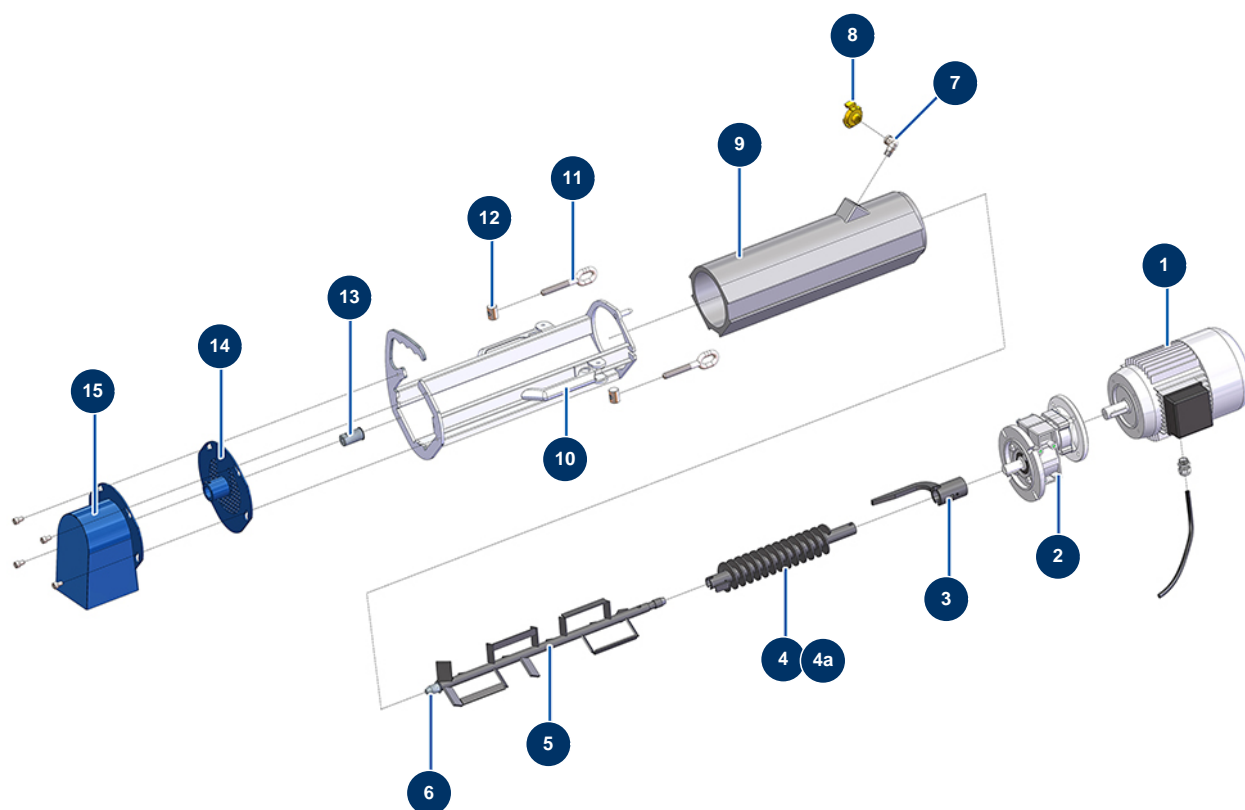
MIXPRO 60 PREMIUM continuous mixer - Chassis



Détails des pièces

Pos.	Référence	Désignation
1	C22630	
2	11514	Plastic thumb wheel M8 x 20
3	C22624	
4	C22627	
5	MI3F00300208	Complete wheel 260 shaft 20
6	MI3G01600104	Flowmeter fixing clamp

MIXPRO 60 PREMIUM continuous mixer - Mixing group

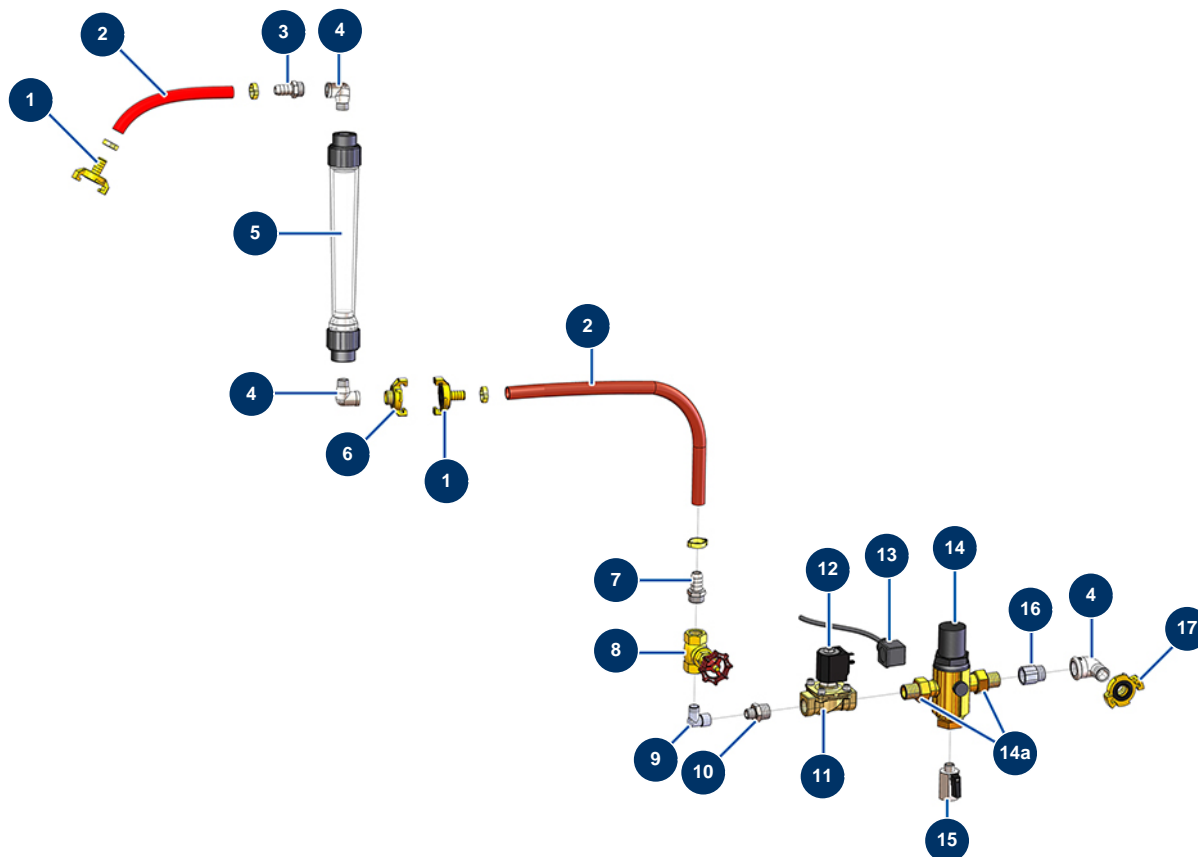


Détails des pièces

Pos.	Référence	Désignation
1	MI3D00201000	Electric motor 1,1 kW - T90 - B14 - 1400 rpm - 230V
2	MI3D00310400	Coaxial speed reducer - T411A - R4,62 - B14/T90
3	C22645	
4	C22639	MIXPRO 60 & MIXER 35 6L primary shaft
4a	C22743	
5	MI7005001000	MIXER 35 mixing shaft
6	MI4001006100	
7	MI3G00509202	90° galvanised elbow 1/2" MaleC x 1/2" FemaleC
8	13572	1/2" outer threaded Geka coupling"
9	MI4001008002	Polyurethane mixing chamber for MIXER 35
10	C22634	
11	MI3T01000400	Motor Closing Ring
12	MI3T01000500	Engine support closing ring nut

Pos.	Référence	Désignation
13	MI4905002100	
14	C22705	
15	C22643	

MIXPRO 60 PREMIUM continuous mixer - Water group

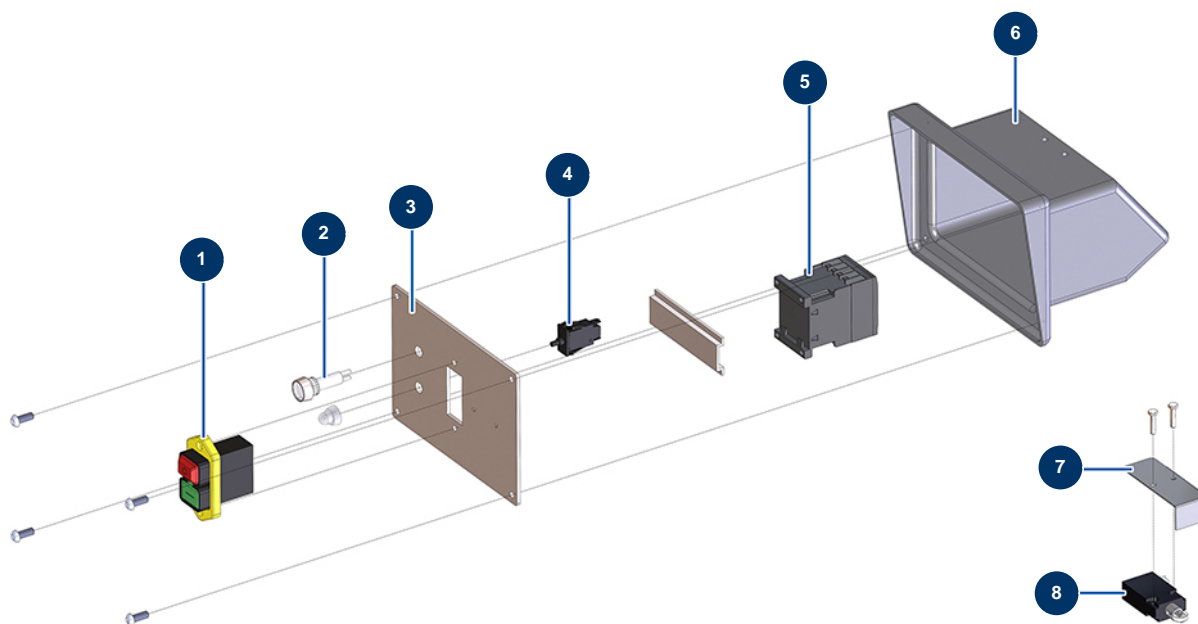


Détails des pièces

Pos.	Référence	Désignation
1	MI3A00100102	Corrugated Geka coupling of 13
1	MI3A00100102	Corrugated Geka coupling of 13
2	MI3F00700201	Yellow and red PVC hose ø 13 x 19 by the metre
2	MI3F00700201	Yellow and red PVC hose ø 13 x 19 by the metre
3	MI3G50300201	
4	MI3G50300501	Elbow BP 90° 1/2 MaleC x 1/2 FemaleD
4	MI3G50300501	Elbow BP 90° 1/2 MaleC x 1/2 FemaleD
4	MI3G50300501	Elbow BP 90° 1/2 MaleC x 1/2 FemaleD
5	MI3G01101001	Complete universal flow meter 60/600
6	MI3A00100302	1/2" outer threaded Geka coupling
7	MI3G50300207	
8	MI3G01300211	
9	MI3G20300500	9

Pos.	Référence	Désignation
10	MI3G50300702	1/2" MaleC x 1/4" MaleC low-pressure nipple
11	MI3G00301100	1/2" MIXER 35 solenoid valve
12	MI3G00300323	220 V Solenoid valve coil
13	MI3G00402201	Pressure switch connector
14	MI3G00904100	Water pressure regulator 0,5 to . bar
14a	MI3G01700010	14a
15	MI3G01200102	1/4" mini lux valve
16	MI3G50301140	Extension MF 1/2" x 20mm 529-Z
17	MI3A00100202	1/2" inner threaded Geka coupling

MIXPRO 60 PREMIUM continuous mixer - Electrical box



Détails des pièces

Pos.	Référence	Désignation
1	MI3C01403000	On/Off bipolar switch 230 V
2	MI3C02400900	ø10 white indicator light 230 V
3	C22769	
4	MI3C00800400	
5	30011	230 Volt coil switch for sprayer
6	MI4011502000	MIXER 35 electrical box rear plastic part
7	C21227	
8	MI3C01400300	MIXER 35 grid safety sensor