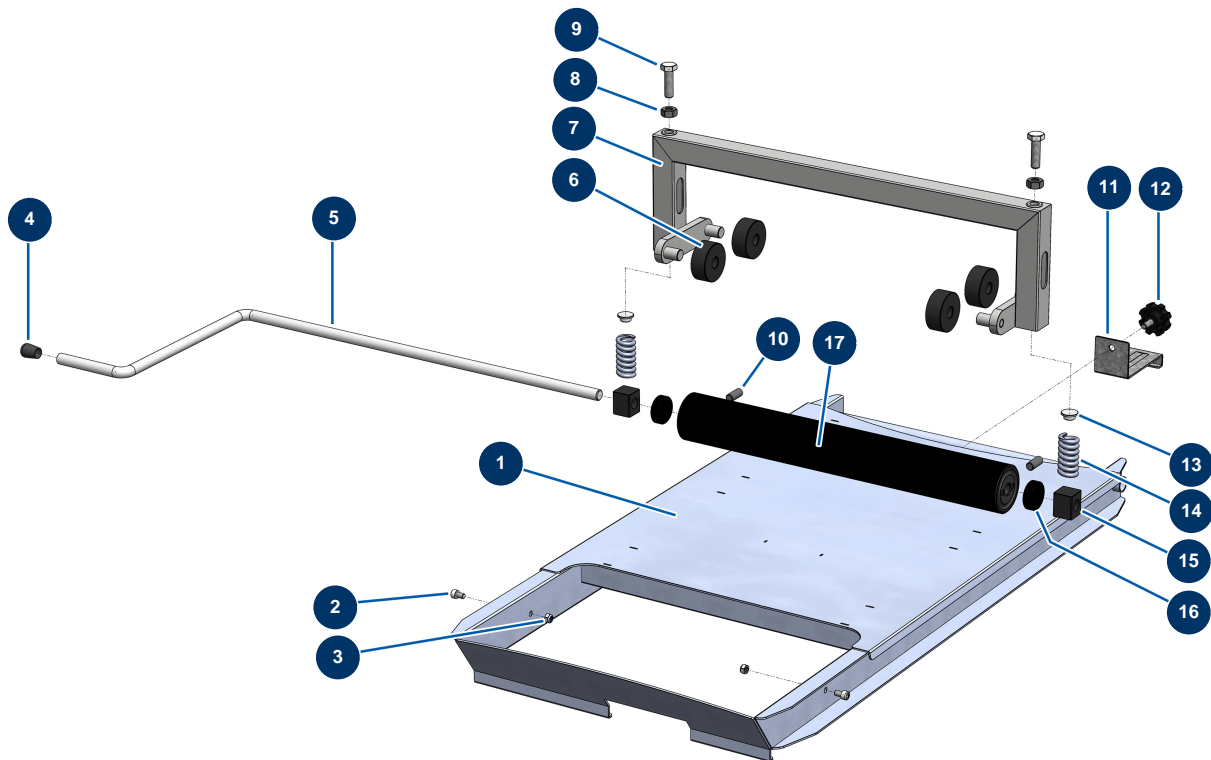


Bag roller for CP15 (new model) & CP 25 - General view



Détails des pièces

Pos.	Référence	Désignation
1	C21597	1
2	90798	M6 x 10 cylindrical head screw - CP 60 cylindrical head screw
3	20004	M 6 nylstop nut
4	30327	Black plastic end cap for ø 14 round tube
5	M90462	14 P bag roller crank
6	10056	Bag roller caster
7	90580	14P bag roller U-bolt
8	90453	M 10 nut
9	12934	THEF 10 x 35 screw
10	80689	Bag roller drum countersunk head screw
11	C21609	
12	11514	Plastic thumb wheel M8 x 20
13	10059	Bag roller spring pawl

Pos.	Référence	Désignation
14	10069	Bag roller stainless steel spring
15	10058	Bag roller drum bearing
16	10053	Slice for bag roller spacer
17	90462	14 P, JETPRO 80 bag roller drum