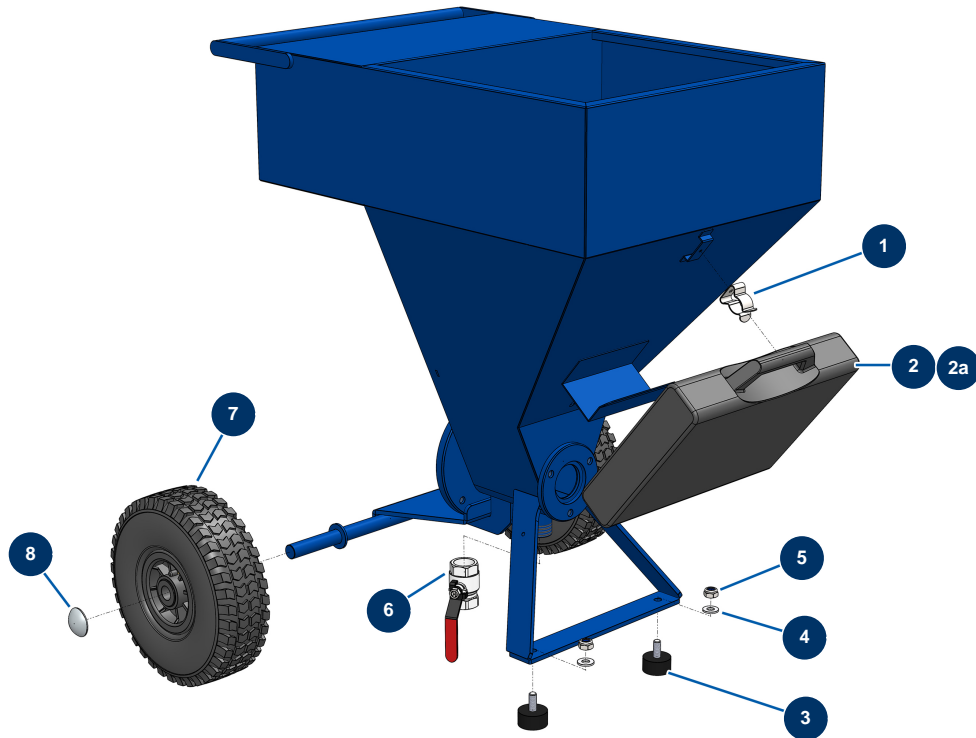


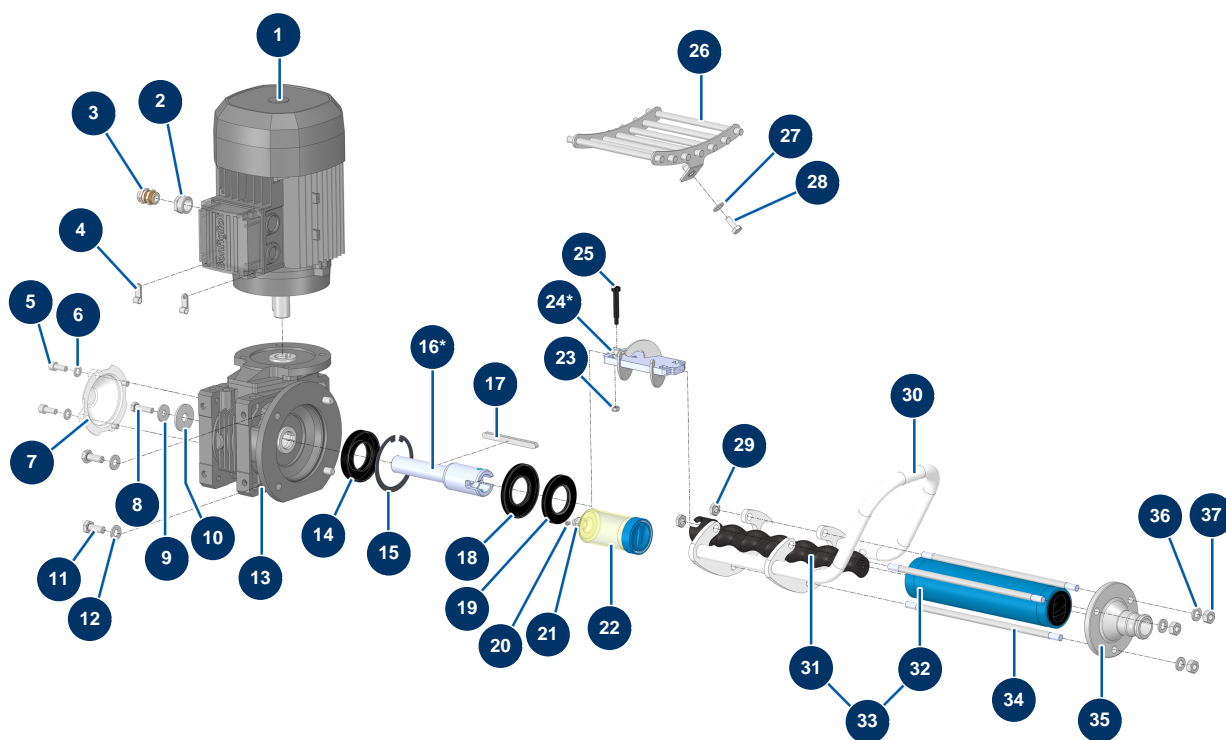
DROPPRO 14P spraying machine - Chassis



Détails des pièces

Pos.	Référence	Désignation
1	80582	Case support spring
2	90656	8P & 14P ABS lance complete carry-case
2a	12270	8, 14 and 24P ABS spraying lance
3	30145	Ø 40 x 20 M10 stop
4	80261	ø 10 inox medium washer
5	13981	M 10 nylstop inox nut
6	70031	Drain valve for EUROPRO 4-6-8-14 P, MPE, AG, 7000z, 9000z
7	80001	Complete wheel 260 shaft of 20 for 6,8,14P, MPE 80 and 200, 7000z, 9000z
8	90281	Ø20 chromed clip

DROPPRO 14P spraying machine - Transmission (from 12/2023)



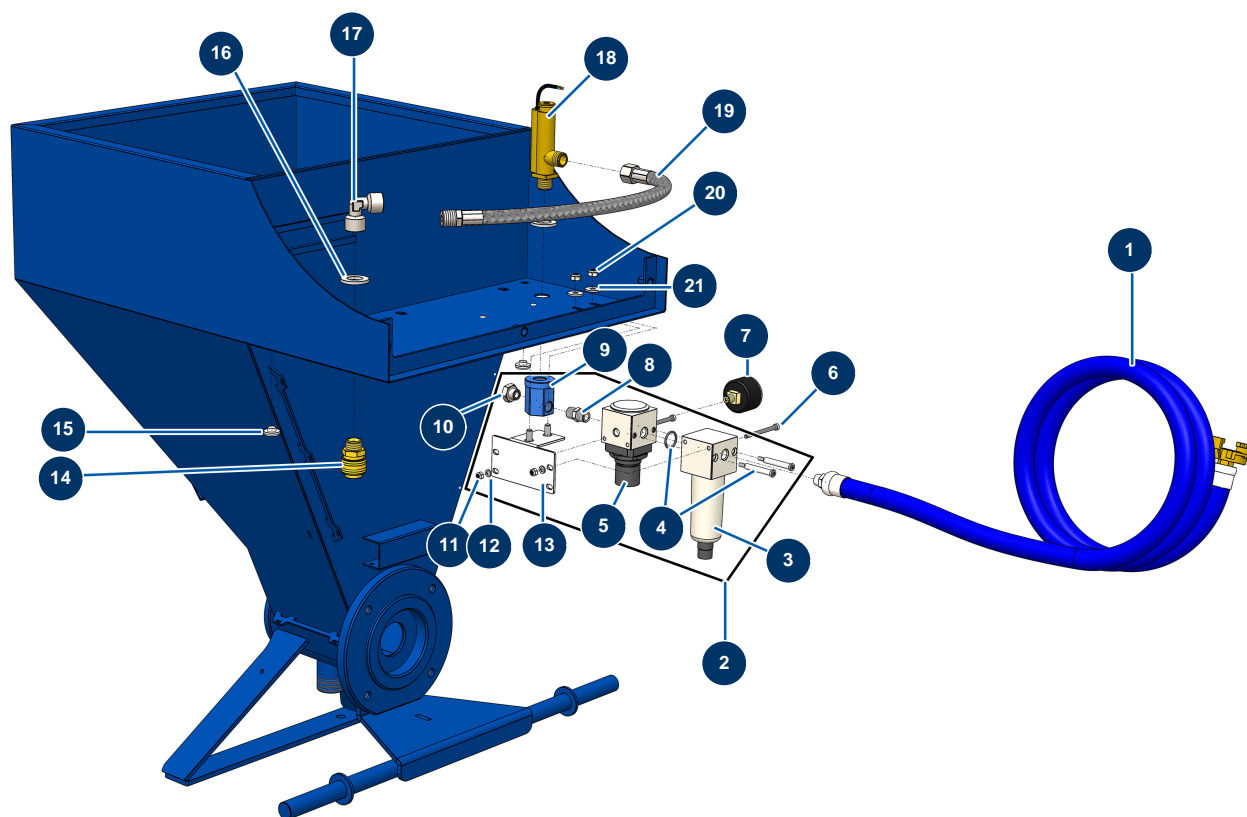
** Pour les modèles avant septembre 2019, il est impératif de commander ces 2 pièces.
For models before September 2019, it is mandatory to order this 2 parts.*

Détails des pièces

Pos.	Référence	Désignation
1	30044	Electric motor 1,85 kW - T90 - B14 - 1400 rpm - 400V
2	80446	Cable gland reduction M 25-11
3	30040	Nickel plated watertight cable gland of 11 CEM
4	90266	Cable support Ø 7.9
5	80470	8 x 20 cylindrical head screw
6	30256	ø 8 inox narrow washer
7	90287	14 P2 & 24 P gear reducer plastic cover
8	30205	THEF 8 x 30 screw
9	30292	ø 8 inox large washer
10	30294	ø 12 inox large washer
11	30257	THEF 10 x 25 screw
12	80261	ø 10 inox medium washer
13	90504	Speed reducer 90° - T63 - R15 - B14/T90

Pos.	Référence	Désignation
14	15219	Spi seal 40 x 75 x 12
15	15244	Ø 80 inner circlip
16*	M10817	MINIJET 120 drive shaft with screw coupling
17	90750	8 x 7 x 100 parallel key with round end for 24P et PT
18	90726	Spi seal 40 x 80 x 7 for 14P
19	15243	Spi seal 40 x 72 x 7
20	11941	6 x 5 stainless steel socket head screw with flat tip
21	10899	1/8" MaleD x 1/4" FemaleD low-pressure nipple
22	90639	Automatic greaser
23	20004	M 6 nylstop nut
24*	C22978	MINIJET 120 connecting rod
25	90520	CP 30 rotor screw pin
26	C22509	Removable grid for DROPPRO 14P & MINJET 120
27	80260	ø 8 inox medium washer
28	30273	THEF 8 x 20 screw
29	13979	M10 flat inox nut
30	C22982	DROPPRO & MINIJET pump handle
31	MI7009107200	EUROPRO MAP 4 pump rotor with slit head
32	MI3F00529300	EUROPRO MAP 4 SX pump stator
33	30444	EUROPRO MAP 4 pump rotor/stator kit
34	10034	Fixation tie rod for MAP 2/3
35	10010	Blue stator flange for EUROPRO 8P and 14P
36	30280	ø 10 inox narrow washer
37	13978	M10 inox nut

DROPPRO 14P spraying machine - Air circuit

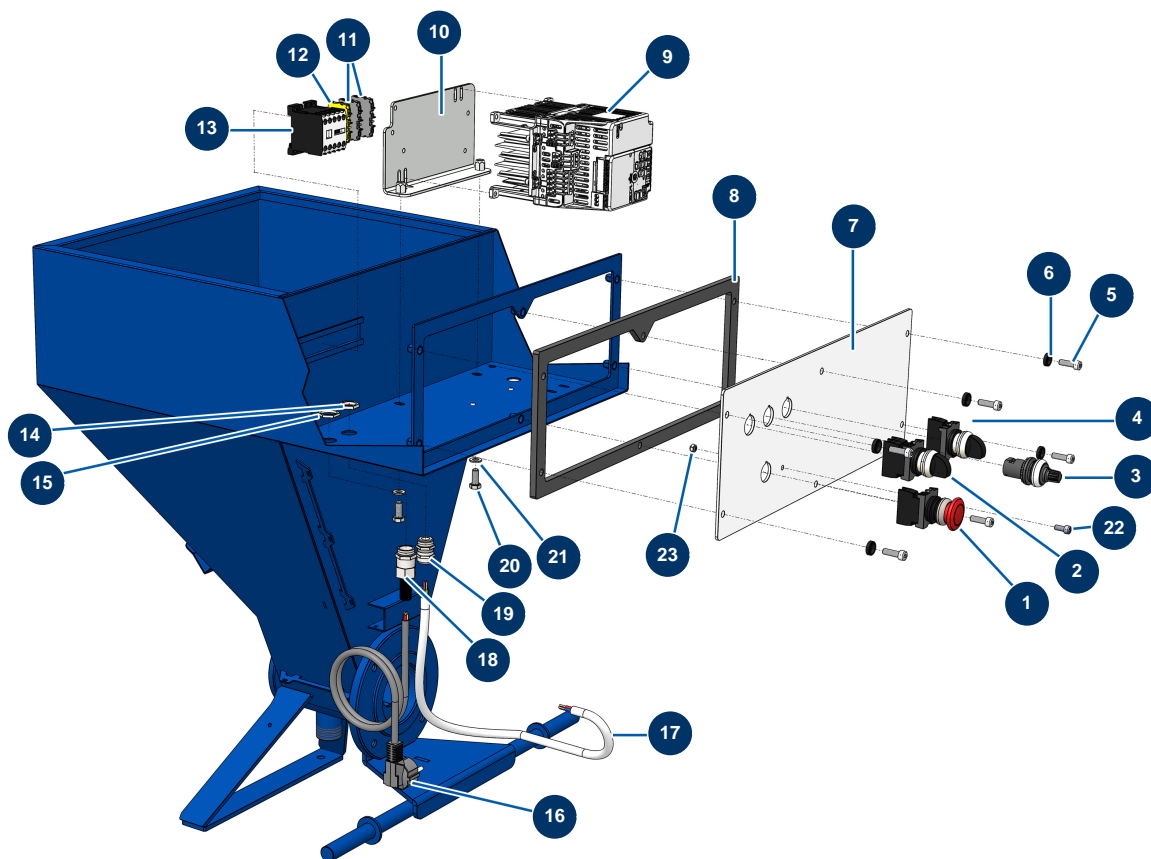


Détails des pièces

Pos.	Référence	Désignation
1	90543	6-8-14 and 24 P machine supply air hose
2	14389	1/4" ASCA filter/regulator after-sales service replacement kit
3	14384	Ffilter for DropPro 8 & 14P 1/4" regulator from 01/01/2019
4	14385	DropPro 8P & 14P 1/4" filter regulator assembly kit from 01/01/2019
5	14383	DropPro 8P & 14P 1/4" air regulator from 01/01/2019
6	14380	4 x 55 cylindrical head screw
7	80023	Axial manometer 1/8 conical 40 mm 0 to 10 bar
8	70027	1/4" MaleC x 1/4" MaleC low-pressure nipple
9	10033	6, 8 and 14P nickel-plated brass air inlet coupling
10	30118	1/4" low-pressure male plug
11	30266	M 4 nylstop nut
12	30288	ø 16 inox narrow washer
13	C22419	DROPPRO 8P & 14P air regulation support

Pos.	Référence	Désignation
14	70034	3/8" outer threaded female quick connector
15	80397	Water exhaust cork for electrical box
16	10003	∅ 16 large washer
17	70024	Elbow BP 90° 3/8 FemaleD x 3/8 FemaleD
18	30005	Flowmeter for EUROPRO 4-6-8-14 and 24 P
19	80171	Flowmeter air hose for 14P
20	20004	M 6 nylstop nut
21	30291	∅ 6 large washer

DROPPRO 14P spraying machine - Electrical box

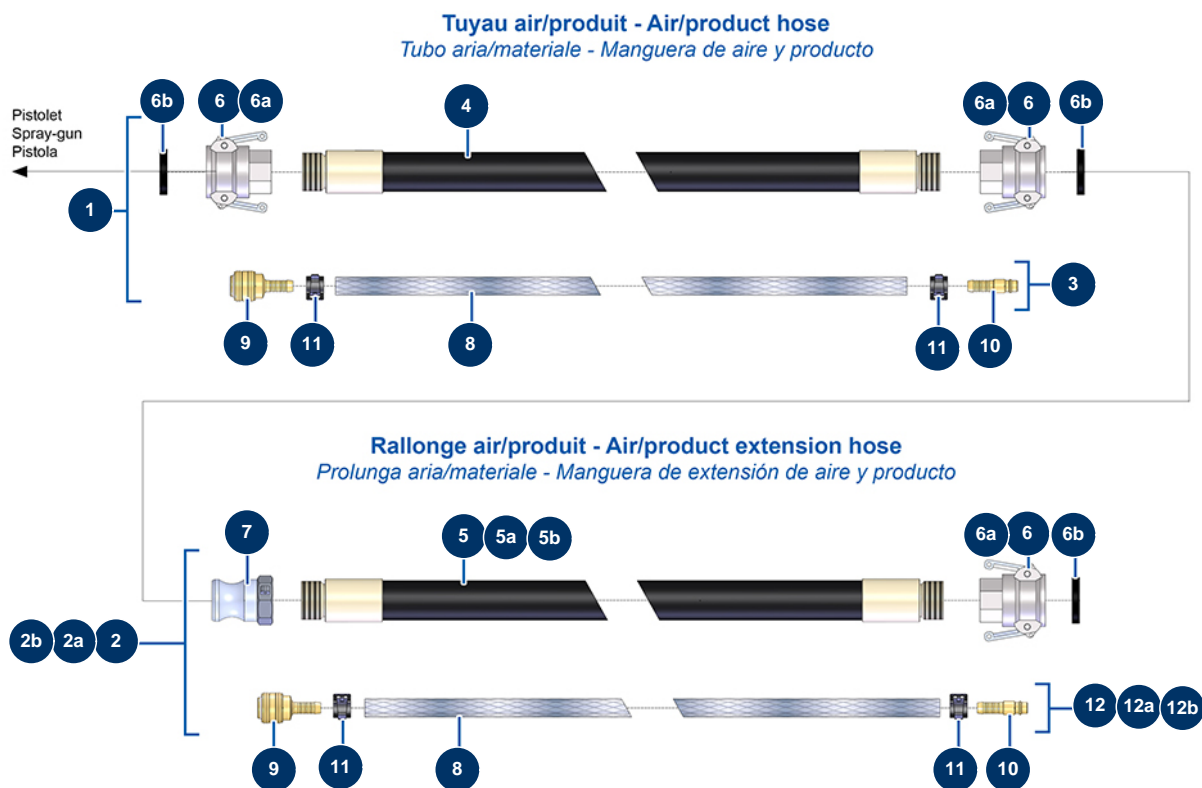


Détails des pièces

Pos.	Référence	Désignation
1	90038	Complete EMERGENCY STOP button Ø 22
2	30034	Complete ON button
3	80645	Spraying machine complete potentiometer from MARCH 2003
4	30014	Complete MANU-AUTO button
5	80470	8 x 20 cylindrical head screw
6	80573	Hollow washer Ø 6
7	30272	14 P electrical box holder
8	90734	EUROPRO 14 P box gasket
9	80458	Inverter 230 V - 1,5 kW
10	10002	4 & 8 P electronic control support
11	80467	Grey conductor block 4 mm ²
12	30038	Yellow and green conductive block 6 mm ²
13	30011	230 Volt coil switch for sprayer

Pos.	Référence	Désignation
14	30333	Cable gland locknut of 11 CEM
15	30060	11mm cable gland nut
16	90180	Supply cable with moulded plug 3G 1,5 mm ²
17	90606	Shielded cable 4 x 1,5 by the metre
18	80450	cable gland for 11mm supply cable
19	30040	Nickel plated watertight cable gland of 11 CEM
20	11544	THEF 8 x 25 screw
21	30288	ø 16 inox narrow washer
22	90161	5 x 12 inox cylindrical head screw
23	11880	M 5 nylstop nut

DROPPRO 14P spraying machine - Hoses and extensions

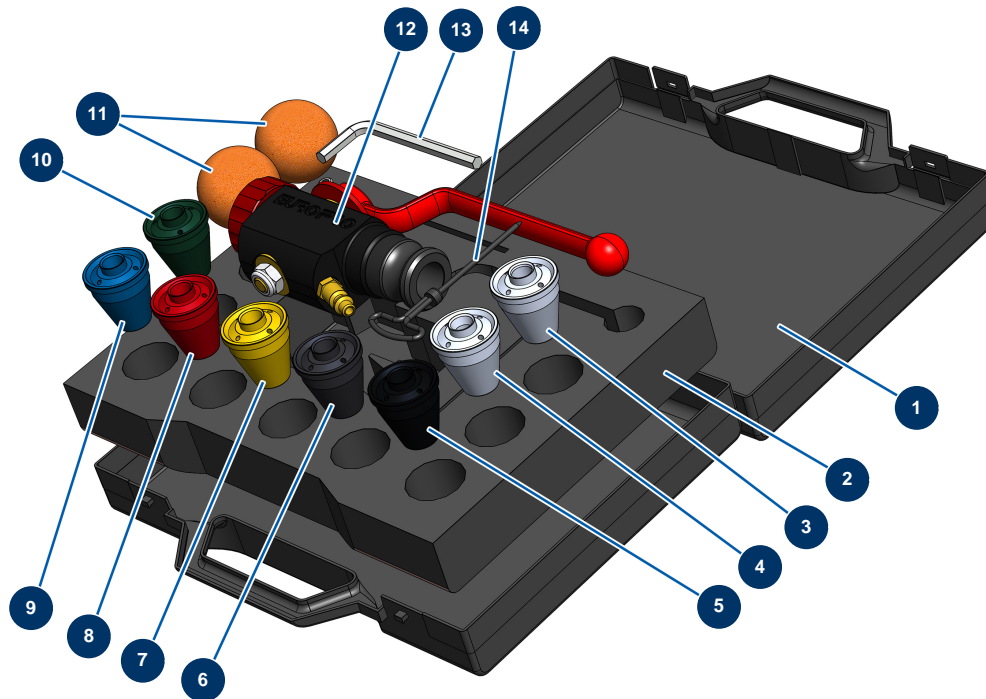


Détails des pièces

Pos.	Référence	Désignation
1	50026	ø 25 x 10 metres air product hose 14 P
2	50046	Air-product extension Ø25 x 5 m
2a	11633	Air-product extension Ø25 x 10 m
2b	12213	Air-product extension Ø25 x 15 m
3	91064	Complete air hose for lance 11,15 m 14P and 24P
4	50013	25 x 10 m product hose outer threaded 1"
5	50010	25 x 5 m product hose outer threaded 1"
5a	50013	25 x 10 m product hose outer threaded 1"
5b	50014	25 x 15 m product hose outer threaded 1" without couplers
6	70007	1" camlock alu coupling, inner threaded 1" for 6, 8, 14 & 24P
6	70007	1" camlock alu coupling, inner threaded 1" for 6, 8, 14 & 24P
6	70007	1" camlock alu coupling, inner threaded 1" for 6, 8, 14 & 24P
6a	90689	1" cam coupler

Pos.	Référence	Désignation
6a	90689	1" cam coupler
6a	90689	1" cam coupler
6b	70014	1" cam coupler gasket
6b	70014	1" cam coupler gasket
6b	70014	1" cam coupler gasket
7	70002	1" inner threaded adapter for 4 to 14P
8	50003	Clear braided PVC hose Ø 10 x 16 by the metre
8	50003	Clear braided PVC hose Ø 10 x 16 by the metre
9	70004	Female quick fit coupling with corrugated shank of 9
9	70004	Female quick fit coupling with corrugated shank of 9
10	70018	Corrugate male quick fit coupling of 9
10	70018	Corrugate male quick fit coupling of 9
11	12218	Spring collar Ø 15
11	12218	Spring collar Ø 15
11	12218	Spring collar Ø 15
11	12218	Spring collar Ø 15
12	91062	Complete air hose for lance 5,25 m 4P
12a	91064	Complete air hose for lance 11,15 m 14P and 24P
12b	13203	Complete air hose for lance 15,85 m

DROPPRO 14P spraying machine - Spraying lance

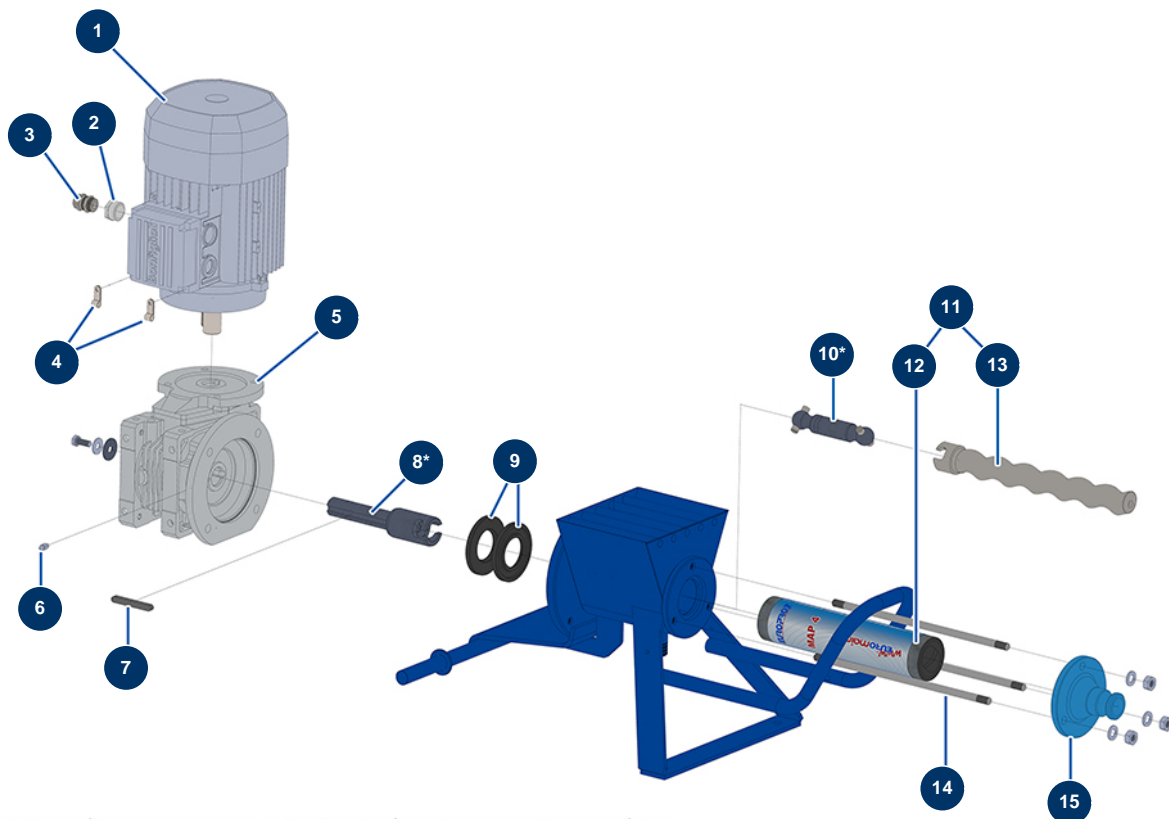


Détails des pièces

Pos.	Référence	Désignation
1	90603	Empty case for lance
2	80221	Spraying lance case wedging foam rubber
3	10052	Grey nozzle Ø 12mm
4	10050	Grey nozzle Ø 10mm
5	10048	Black nozzle Ø 8mm
6	10047	Anthracite nozzle Ø 7mm
7	10046	Yellow nozzle Ø 6mm
8	10045	Red nozzle Ø 5mm
9	10044	Blue nozzle Ø 4mm
10	10043	Green nozzle Ø 3mm
11	90566	Cleaning ball Ø 50
12	12270	8, 14 and 24P ABS spraying lance
13	101013	7mm Allen key

Pos.	Référence	Désignation
14	90605	Tube brush

DROPPRO 14P spraying machine - Transmission (until 02/2020)



** pour les modèles avant septembre 2019, il est impératif de commander ces 2 pièces.
for models before September 2019, it is mandatory to order this 2 parts.*

Détails des pièces

Pos.	Référence	Désignation
1	30044	Electric motor 1,85 kW - T90 - B14 - 1400 rpm - 400V
2	80446	Cable gland reduction M 25-11
3	30040	Nickel plated watertight cable gland of 11 CEM
4	90266	Cable support Ø 7.9
5	90504	Speed reducer 90° - T63 - R15 - B14/T90
6	60012	M6 straight lubricator
7	90749	8 x 7 x 65 parallel key with round end for 6P,8P,14P,7000z,9000z
8*	M10646	Bayonet drive shaft for DROPPRO 14P
9	90726	Spi seal 40 x 80 x 7 for 14P
10*	M10661	DROPPRO 14P connecting rod
11	30444	EUROPRO MAP 4 pump rotor/stator kit
12	MI3F00529300	EUROPRO MAP 4 SX pump stator
13	MI7009107200	EUROPRO MAP 4 pump rotor with slit head

Pos.	Référence	Désignation
14	10035	Fastening tie rod for EUROPRO 14P, MPE 200, AG 140
15	10010	Blue stator flange for EUROPRO 8P and 14P