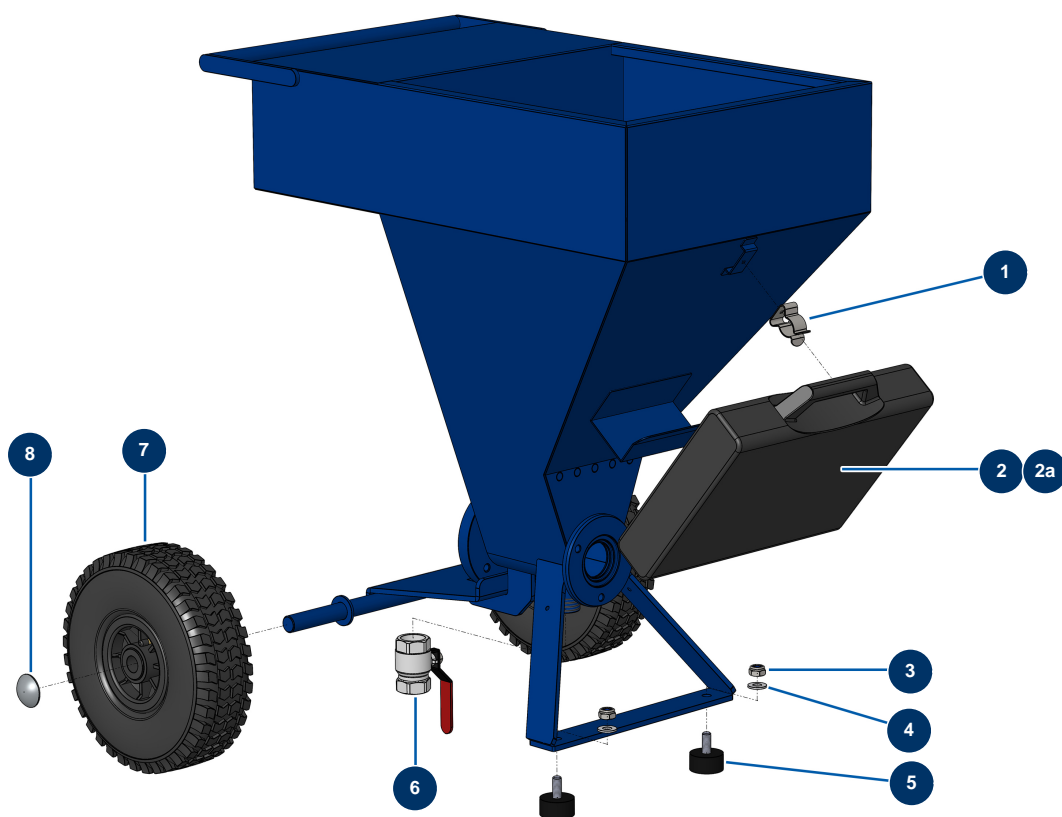


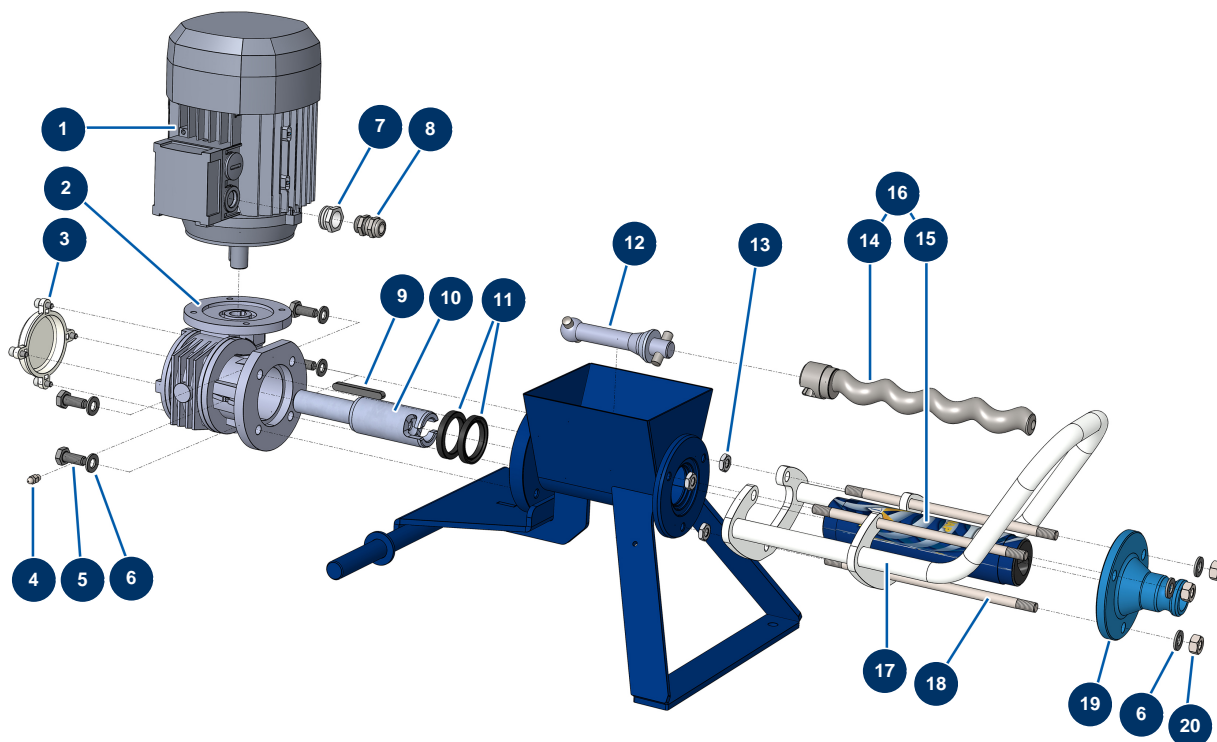
## DROPPRO 8P spraying machine - Chassis



### Détails des pièces

Pos.	Référence	Désignation
1	80582	Case support spring
2	90656	8P & 14P ABS lance complete carry-case
2a	12270	8, 14 and 24P ABS spraying lance
3	13981	M 10 nylstop inox nut
4	80261	ø 10 inox medium washer
5	30145	Ø 40 x 20 M10 stop
6	70031	Drain valve for EUROPRO 4-6-8-14 P, MPE, AG, 7000z, 9000z
7	80001	Complete wheel 260 shaft of 20 for 6,8,14P, MPE 80 and 200, 7000z, 9000z
8	90281	Ø20 chromed clip

## DROPPRO 8P spraying machine - Transmission (from 01/2022)

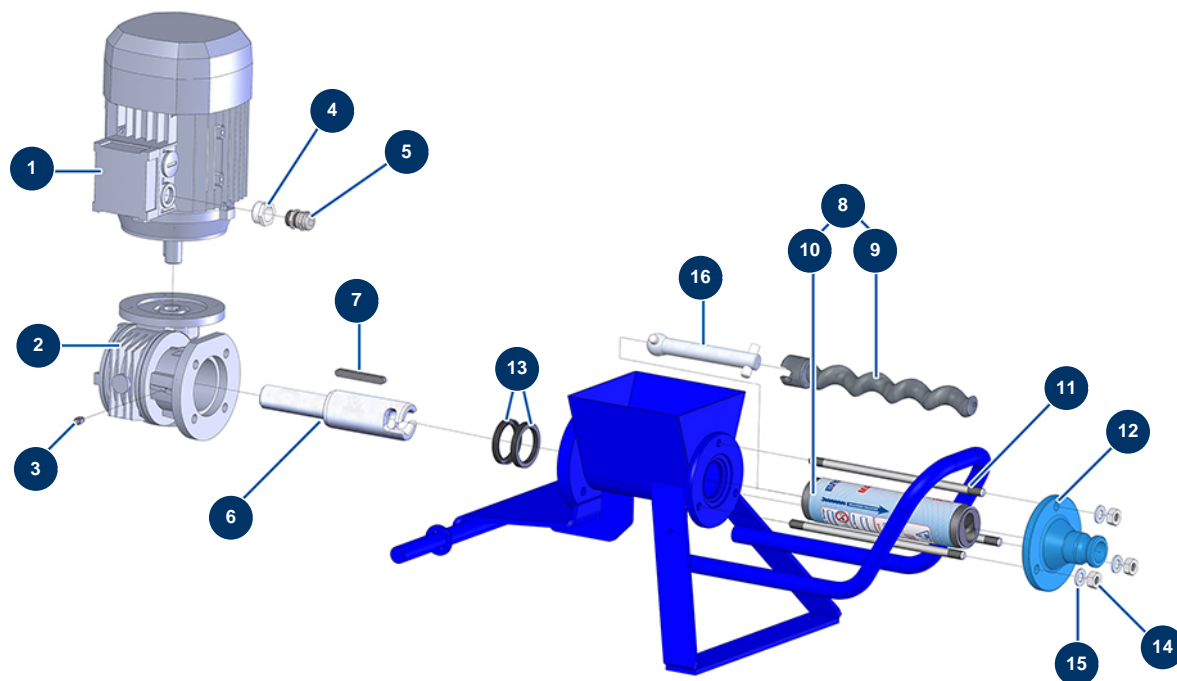


### Détails des pièces

Pos.	Référence	Désignation
1	30043	Electric motor 1,1 kW - T80 - B14 - 1400 rpm - 400V
2	14498	Speed reducer 90° - T50 - R15 - B14/T90
3	10007	6 & 8 P gearing plastic cover
4	60012	M6 straight lubricator
5	30257	THEF 10 x 25 screw
6	30280	ø 10 inox narrow washer
6	30280	ø 10 inox narrow washer
7	80446	Cable gland reduction M 25-11
8	30040	Nickel plated watertight cable gland of 11 CEM
9	90749	8 x 7 x 65 parallel key with round end for 6P,8P,14P,7000z,9000z
10	M10645	Bayonet drive shaft for DROPPRO 8P, MINIJET 80
11	70062	Spi seal 40 x 52 x 7 for 4,6,8P, AG, MPE, 7000z, 9000z
12	M10649	Connecting rod for DROPPRO 8P, MINIJET 80

Pos.	Référence	Désignation
13	10140	M10 flat nut
14	MI7009107100	EUROPRO MAP 2 pump rotor
15	MI3F00529200	EUROPRO MAP 2 pump stator
16	30443	EUROPRO MAP 2 pump rotor/stator kit
17	C22982	DROPPRO & MINIJET pump handle
18	10034	Fixation tie rod for MAP 2/3
19	10010	Blue stator flange for EUROPRO 8P and 14P
20	13978	M10 inox nut

## DROPPRO 8P spraying machine - Transmission (until 12/2021)

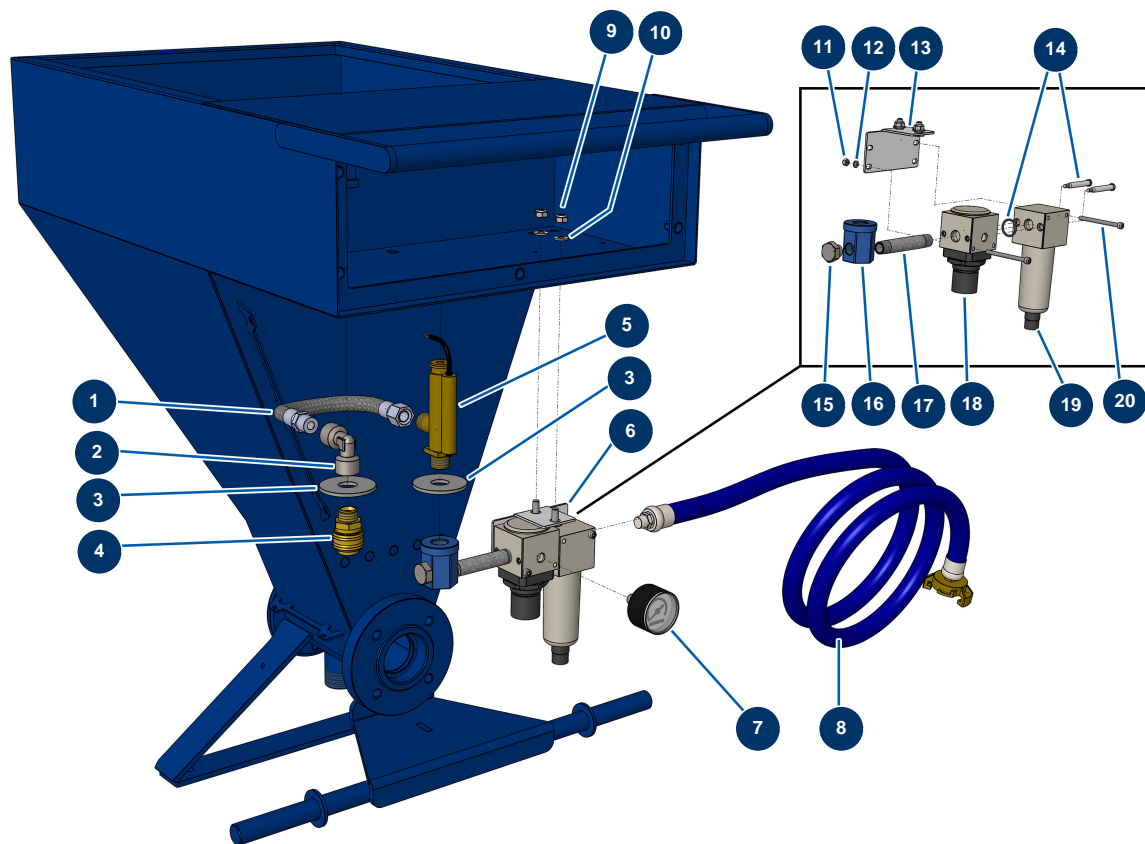


### Détails des pièces

Pos.	Référence	Désignation
1	30043	Electric motor 1,1 kW - T80 - B14 - 1400 rpm - 400V
2	30045	Speed reducer 90° - T50 - R20 - B14/T80 - T50 - FA - R15 - B14/T80
3	60012	M6 straight lubricator
4	80446	Cable gland reduction M 25-11
5	30040	Nickel plated watertight cable gland of 11 CEM
6	M10645	Bayonet drive shaft for DROPPRO 8P, MINIJET 80
7	90749	8 x 7 x 65 parallel key with round end for 6P,8P,14P,7000z,9000z
8	30443	EUROPRO MAP 2 pump rotor/stator kit
9	MI7009107100	EUROPRO MAP 2 pump rotor
10	MI3F00529200	EUROPRO MAP 2 pump stator
11	10034	Fixation tie rod for MAP 2/3
12	10010	Blue stator flange for EUROPRO 8P and 14P
13	70062	Spi seal 40 x 52 x 7 for 4,6,8P, AG, MPE, 7000z, 9000z

Pos.	Référence	Désignation
14	13978	M10 inox nut
15	30280	∅ 10 inox narrow washer
16	M10649	Connecting rod for DROPPRO 8P, MINIJET 80

## DROPPRO 8P spraying machine - Air circuit

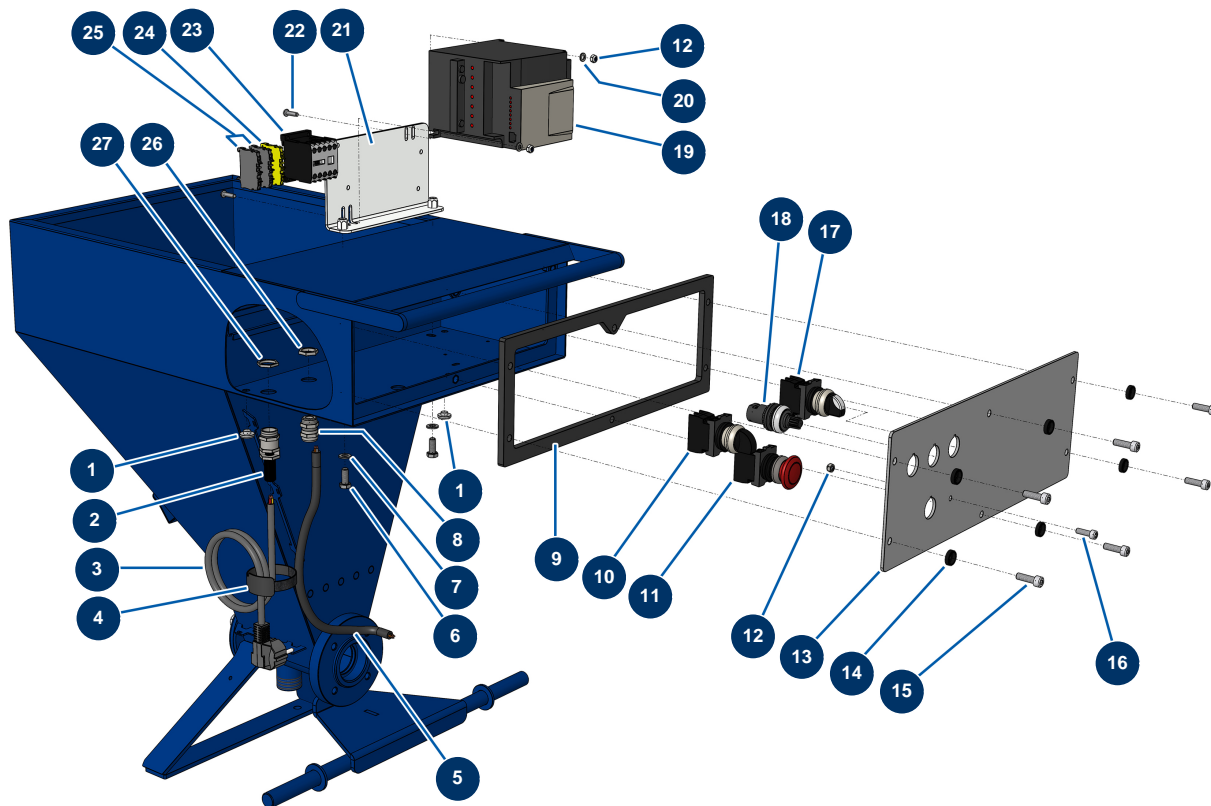


### Détails des pièces

Pos.	Référence	Désignation
1	30138	Flow meter air hose 6 and 8 P
2	70024	Elbow BP 90° 3/8 FemaleD x 3/8 FemaleD
3	10003	ø 16 large washer
3	10003	ø 16 large washer
4	70034	3/8" outer threaded female quick connector
5	30005	Flowmeter for EUROPRO 4-6-8-14 and 24 P
6	14389	1/4" ASCA filter/regulator after-sales service replacement kit
7	80023	Axial manometer 1/8 conical 40 mm 0 to 10 bar
8	90543	6-8-14 and 24 P machine supply air hose
9	14217	M 6 nylstop inox nut
10	80259	Ø 6 medium washer
11	30266	M 4 nylstop nut
12	30267	ø 4 inox narrow washer

Pos.	Référence	Désignation
13	C22419	DROPPRO 8P & 14P air regulation support
14	14385	DropPro 8P & 14P 1/4" filter regulator assembly kit from 01/01/2019
15	30118	1/4" low-pressure male plug
16	10033	6, 8 and 14P nickel-plated brass air inlet coupling
17	90604	Nipple 1/4M-M length 80 mm
18	14383	DropPro 8P & 14P 1/4" air regulator from 01/01/2019
19	14384	Ffilter for DropPro 8 & 14P 1/4" regulator from 01/01/2019
20	14380	4 x 55 cylindrical head screw

## DROPPRO 8P spraying machine - Electrical box

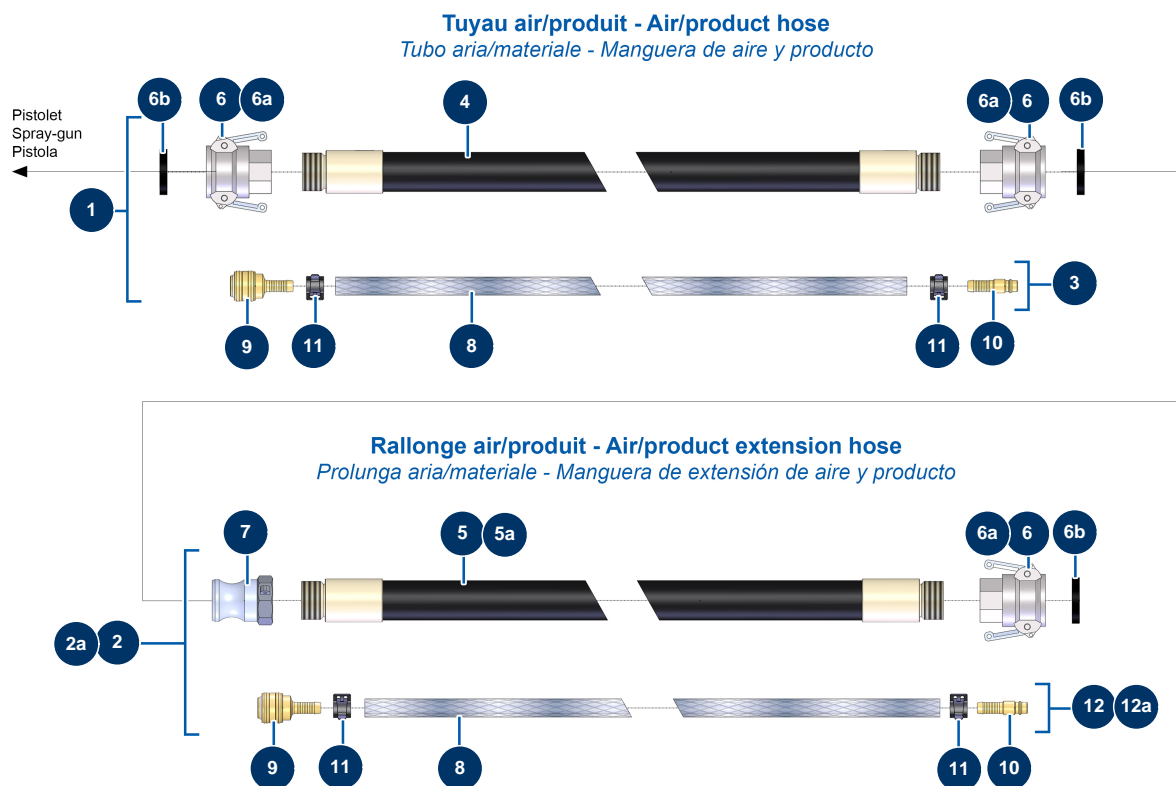


### Détails des pièces

Pos.	Référence	Désignation
1	80397	Water exhaust cork for electrical box
1	80397	Water exhaust cork for electrical box
2	80450	cabale gland for 11mm supply cable
3	90180	Supply cable with moulded plug 3G 1,5 mm <sup>2</sup>
4	12411	Self-gripping collar 20 x 330 mm
5	90606	Shielded cable 4 x 1,5 by the metre
6	30273	THEF 8 x 20 screw
7	30256	ø 8 inox narrow washer
8	30040	Nickel plated watertight cable gland of 11 CEM
9	10049	EUROPRO 8 P electrical box gasket
10	30034	Complete ON button
11	90038	Complete EMERGENCY STOP button Ø 22
12	11880	M 5 nylstop nut

Pos.	Référence	Désignation
12	11880	M 5 nylstop nut
13	10006	8 P electrical junction box holder
14	80573	Hollow washer Ø 6
15	90996	6 x 20 inox cylindrical head screw
16	90160	5 x 16 cylindrical head screw
17	11338	COMPACT-PRO complete REVERSE-AUTO-MANU button
18	80645	Spraying machine complete potentiometer from MARCH 2003
19	80458	Inverter 230 V - 1,5 kW
20	70085	ø 5 narrow washer
21	10002	4 & 8 P electronic control support
22	20290	5 x 20 10.9 cylindrical head screw
23	30011	230 Volt coil switch for sprayer
24	30038	Yellow and green conductive block 6 mm <sup>2</sup>
25	80467	Grey conductor block 4 mm <sup>2</sup>
26	30333	Cable gland locknut of 11 CEM
27	30060	11mm cable gland nut

## DROPPRO 8P spraying machine - Hoses and extensions

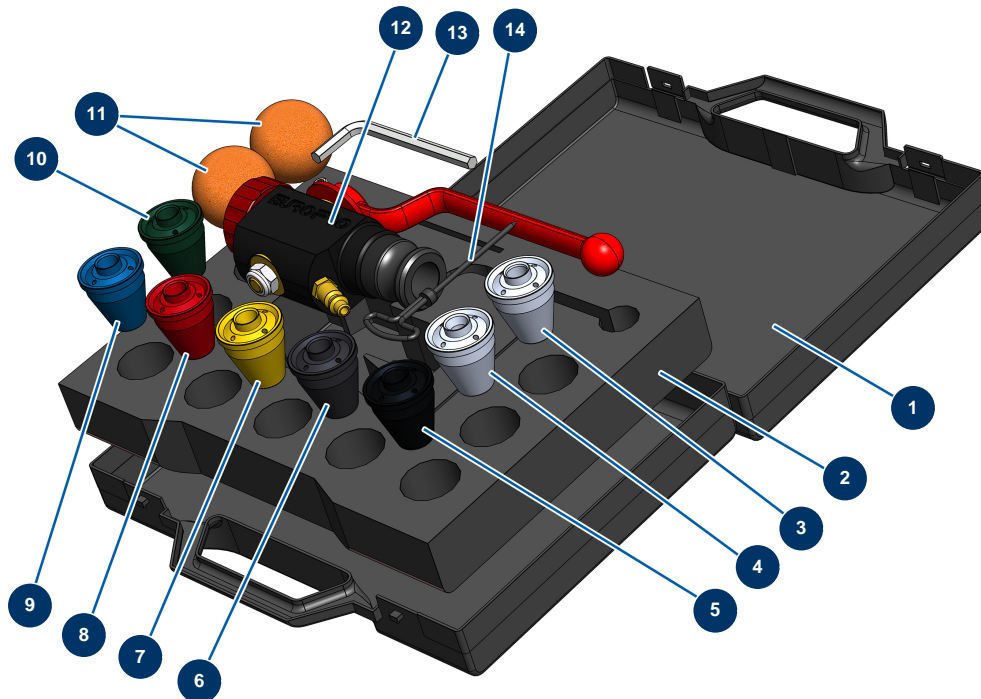


### Détails des pièces

Pos.	Référence	Désignation
1	50025	ø 25 x 8 metres air product hose 8 P
2	50046	Air-product extension Ø25 x 5 m
2a	11633	Air-product extension Ø25 x 10 m
3	91063	Complete air hose for lance 8,85 m 6P and 8P
4	50011	25 x 8 m product hose outer threaded 1" for 8P without couplers
5	50010	25 x 5 m product hose outer threaded 1"
5a	50013	25 x 10 m product hose outer threaded 1"
6	70007	1" camlock alu coupling, inner threaded 1" for 6, 8, 14 & 24P
6	70007	1" camlock alu coupling, inner threaded 1" for 6, 8, 14 & 24P
6	70007	1" camlock alu coupling, inner threaded 1" for 6, 8, 14 & 24P
6a	90689	1" cam coupler
6a	90689	1" cam coupler
6a	90689	1" cam coupler

Pos.	Référence	Désignation
6b	70014	1" cam coupler gasket
6b	70014	1" cam coupler gasket
6b	70014	1" cam coupler gasket
7	70002	1" inner threaded adapter for 4 to 14P
8	50003	Clear braided PVC hose Ø 10 x 16 by the metre
8	50003	Clear braided PVC hose Ø 10 x 16 by the metre
9	70004	Female quick fit coupling with corrugated shank of 9
9	70004	Female quick fit coupling with corrugated shank of 9
10	70018	Corrugate male quick fit coupling of 9
10	70018	Corrugate male quick fit coupling of 9
11	12218	Spring collar Ø 15
11	12218	Spring collar Ø 15
11	12218	Spring collar Ø 15
11	12218	Spring collar Ø 15
12	91062	Complete air hose for lance 5,25 m 4P
12a	91064	Complete air hose for lance 11,15 m 14P and 24P

## DROPPRO 8P spraying machine - Spraying lance



### Détails des pièces

Pos.	Référence	Désignation
1	90603	Empty case for lance
2	80221	Spraying lance case wedging foam rubber
3	10052	Grey nozzle Ø 12mm
4	10050	Grey nozzle Ø 10mm
5	10048	Black nozzle Ø 8mm
6	10047	Anthracite nozzle Ø 7mm
7	10046	Yellow nozzle Ø 6mm
8	10045	Red nozzle Ø 5mm
9	10044	Blue nozzle Ø 4mm
10	10043	Green nozzle Ø 3mm
11	20005	Cleaning ball ø 30
12	12270	8, 14 and 24P ABS spraying lance
13	101013	7mm Allen key

Pos.	Référence	Désignation
14	90605	Tube brush