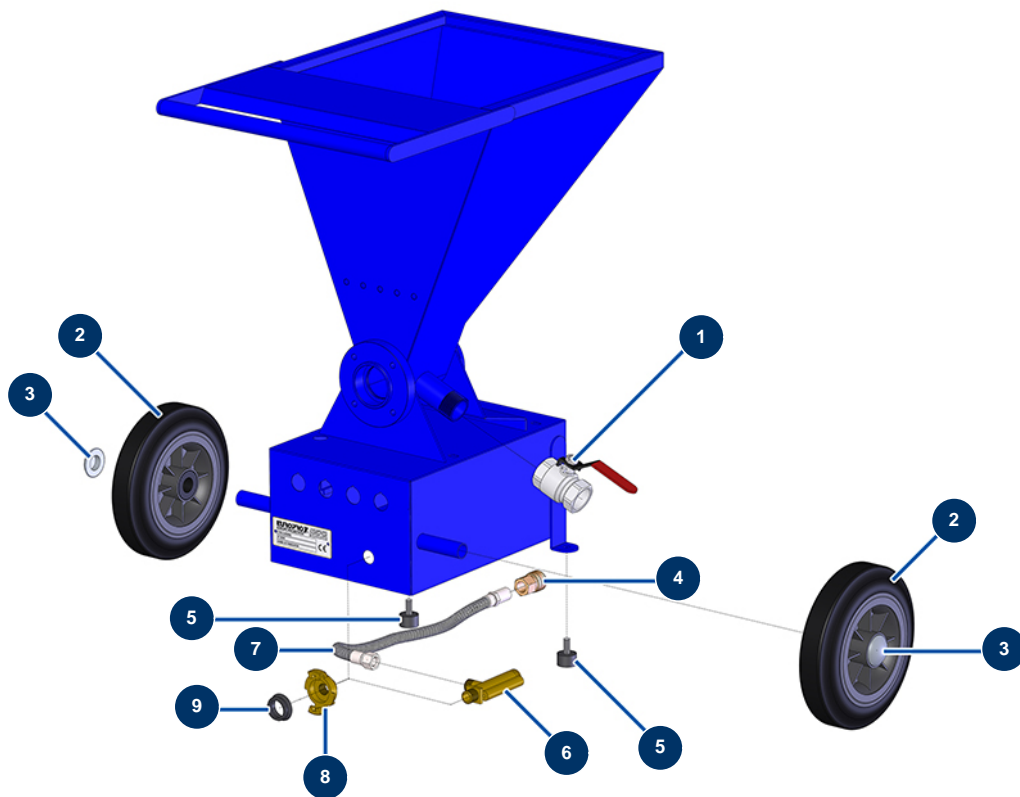


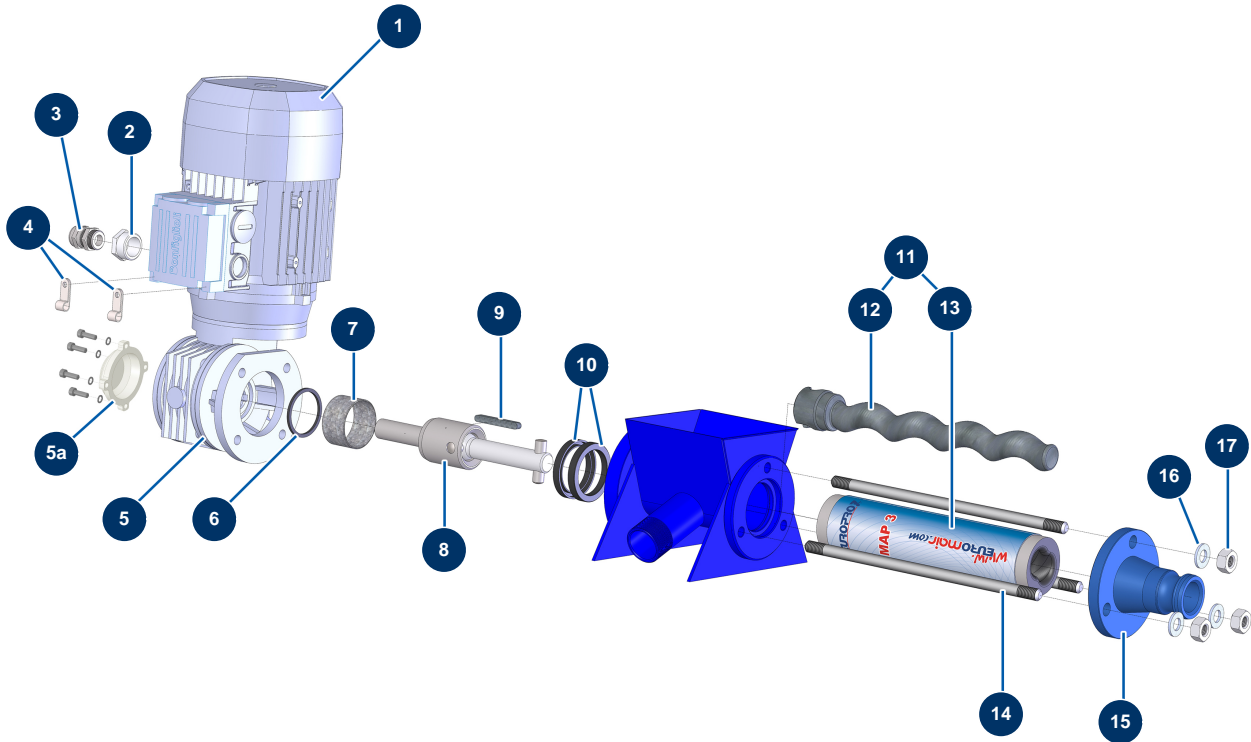
DROPPRO 4P spraying machine - Chassis and air circuit



Détails des pièces

Pos.	Référence	Désignation
1	70031	Drain valve for EUROPRO 4-6-8-14 P, MPE, AG, 7000z, 9000z
2	90720	Complete wheel 200 shaft 20 for 4P and MPE 50
2	90720	Complete wheel 200 shaft 20 for 4P and MPE 50
3	90281	Ø20 chromed clip
3	90281	Ø20 chromed clip
4	70034	3/8" outer threaded female quick connector
5	30146	Ø 25 x 15 M8 stop for EUROPRO 4P
5	30146	Ø 25 x 15 M8 stop for EUROPRO 4P
6	30005	Flowmeter for EUROPRO 4-6-8-14 and 24 P
7	30139	4 P flow meter air hose
8	70054	3/8" inner threaded quick fit coupling
9	MI3A00100502	Domed rubber gasket for Geka coupling

DROPPRO 4P spraying machine - Transmission

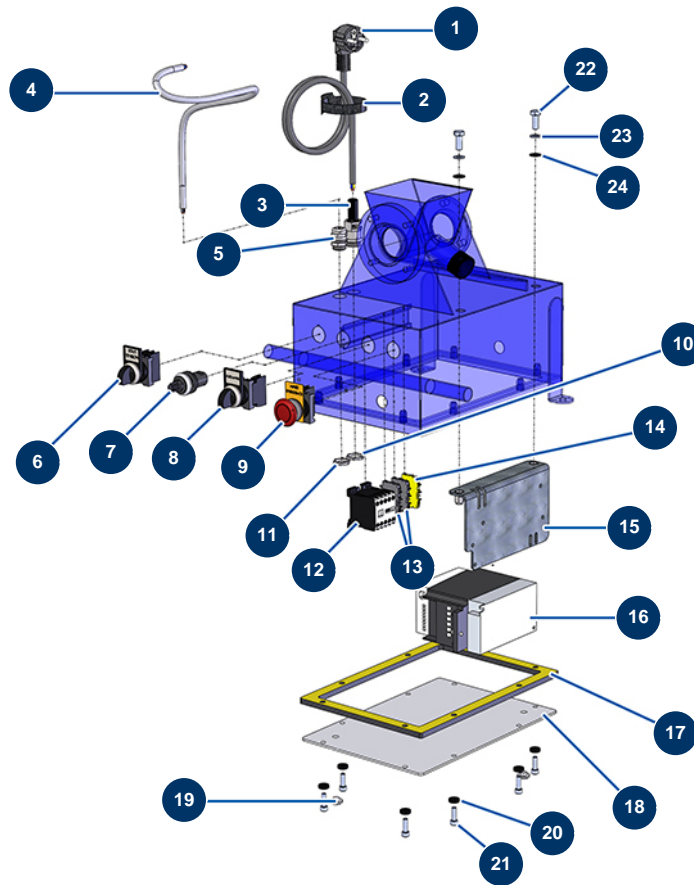


Détails des pièces

Pos.	Référence	Désignation
1	30008	Electric motor 0,55 kW - T71 - B14 -1400 rpm - 400V
2	80446	Cable gland reduction M 25-11
3	30040	Nickel plated watertight cable gland of 11 CEM
4	90266	Cable support Ø 7.9
5	30042	Speed reducer 90° - T40 - R30 - B14/T71
5a	10027	4 P reduction gear plastic cover
6	30351	EUROPRO 4 P grease cage gasket
7	60011	EUROPRO 4 P grease cage
8	10014	Complete drive shaft for DROPPRO 4P
9	90751	6 x 6 x 50 parallel key with round end for 4P
10	70062	Spi seal 40 x 52 x 7 for 4,6,8P, AG, MPE, 7000z, 9000z
11	30479	EUROPRO MAP 3 pump rotor/stator kit
12	MI7009107800	EUROPRO MAP 3 pump rotor with bayonet head

Pos.	Référence	Désignation
13	MI3F00529201	EUROPRO MAP 3 - 60SH pump stator
14	10034	Fixation tie rod for MAP 2/3
15	10015	EUROPRO 4 and 6 P stator clamp blue
16	13978	M10 inox nut
17	30280	∅ 10 inox narrow washer

DROPPRO 4P spraying machine - Electrical box

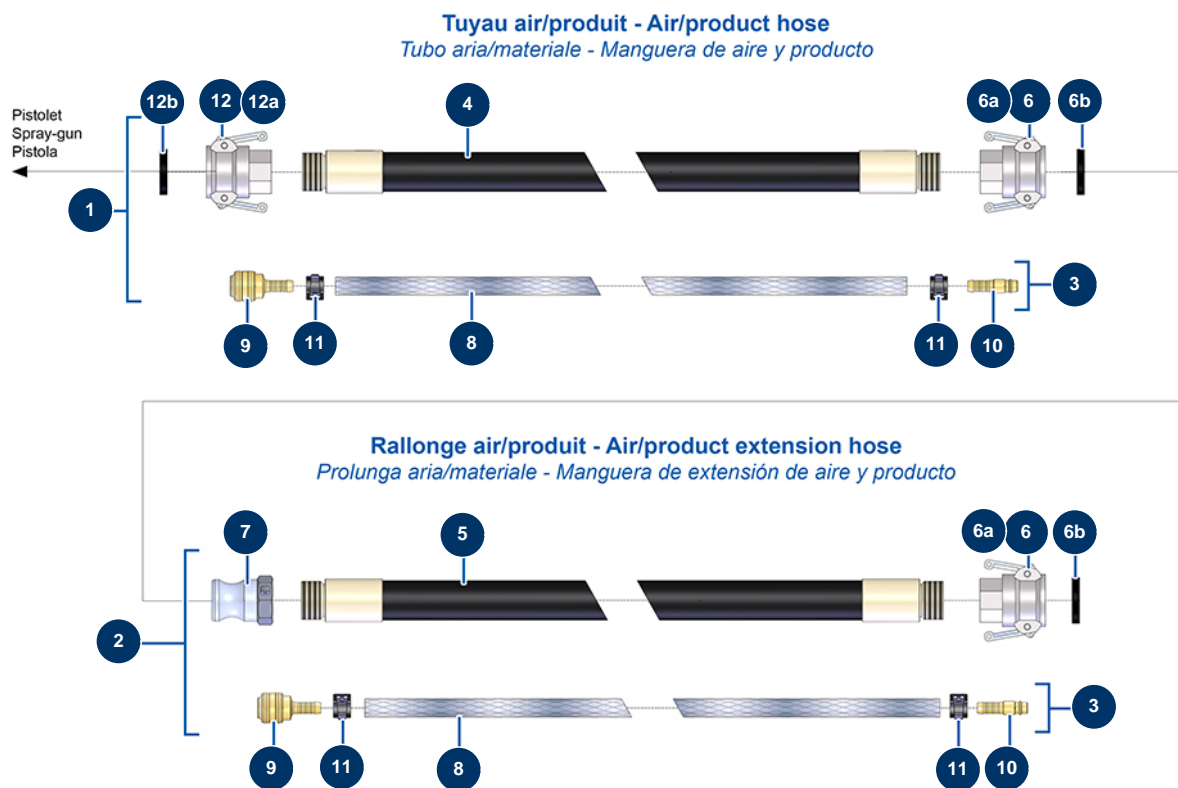


Détails des pièces

Pos.	Référence	Désignation
1	90180	Supply cable with moulded plug 3G 1,5 mm ²
2	12410	Self-gripping collar with loop 12,7 x 228 mm
3	80450	cablе gland for 11mm supply cable
4	90606	Shielded cable 4 x 1,5 by the metre
5	30040	Nickel plated watertight cable gland of 11 CEM
6	30034	Complete ON button
7	80645	Spraying machine complete potentiometer from MARCH 2003
8	30014	Complete MANU-AUTO button
9	90038	Complete EMERGENCY STOP button Ø 22
10	30060	11mm cable gland nut
11	30333	Cable gland locknut of 11 CEM
12	30011	230 Volt coil switch for sprayer
13	80467	Grey conductor block 4 mm ²

Pos.	Référence	Désignation
14	30038	Yellow and green conductive block 6 mm ²
15	10002	4 & 8 P electronic control support
16	12098	Inverter 230 V - 0,55 KW
17	10064	EUROPRO 4 P electrical box gasket
18	10026	4 P electrical junction box holder
19	80397	Water exhaust cork for electrical box
20	80573	Hollow washer Ø 6
21	90996	6 x 20 inox cylindrical head screw
22	30273	THEF 8 x 20 screw
23	80260	ø 8 inox medium washer
24	10067	7 x 16 rubber washer

DROPPRO 4P spraying machine - Hoses and extensions

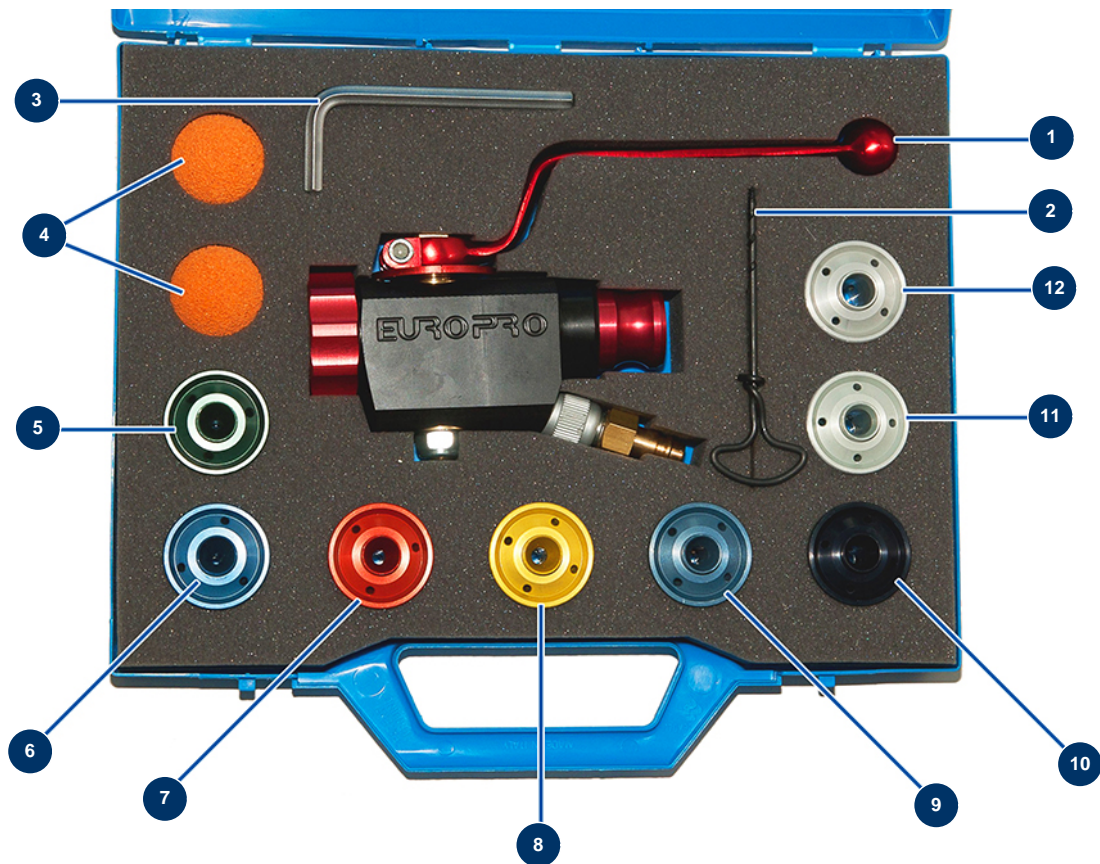


Détails des pièces

Pos.	Référence	Désignation
1	50029	ø 19 x 5 metres air product hose 4 P
2	50046	Air-product extension Ø25 x 5 m
3	91062	Complete air hose for lance 5,25 m 4P
3	91062	Complete air hose for lance 5,25 m 4P
4	50004	19 x 5 m product hose outer threaded 1"x3/4" for 4P without couplers
5	50010	25 x 5 m product hose outer threaded 1"
6	70007	1" camlock alu coupling, inner threaded 1" for 6, 8, 14 & 24P
6	70007	1" camlock alu coupling, inner threaded 1" for 6, 8, 14 & 24P
6a	90689	1" cam coupler
6a	90689	1" cam coupler
6b	70014	1" cam coupler gasket
6b	70014	1" cam coupler gasket
7	70002	1" inner threaded adapter for 4 to 14P

Pos.	Référence	Désignation
8	50003	Clear braided PVC hose Ø 10 x 16 by the metre
8	50003	Clear braided PVC hose Ø 10 x 16 by the metre
9	70004	Female quick fit coupling with corrugated shank of 9
9	70004	Female quick fit coupling with corrugated shank of 9
10	70018	Corrugate male quick fit coupling of 9
10	70018	Corrugate male quick fit coupling of 9
11	12218	Spring collar Ø 15
11	12218	Spring collar Ø 15
11	12218	Spring collar Ø 15
11	12218	Spring collar Ø 15
12	70001	3/4" camlock alu coupling, inner threaded 3/4" for 4 & 6P
12a	90690	3/4" cam coupler
12b	70013	3/4" cam coupler gasket

DROPPRO 4P spraying machine - Spraying lance



Détails des pièces

Pos.	Référence	Désignation
1	12268	ABS 4 P slurry spraying lance
2	90605	Tube brush
3	101013	7mm Allen key
4	20005	Cleaning ball ø 30
5	10043	Green nozzle Ø 3mm
6	10044	Blue nozzle Ø 4mm
7	10045	Red nozzle Ø 5mm
8	10046	Yellow nozzle Ø 6mm
9	10047	Anthracite nozzle Ø 7mm
10	10048	Black nozzle Ø 8mm
11	10050	Grey nozzle Ø 10mm
12	10052	Grey nozzle Ø 12mm