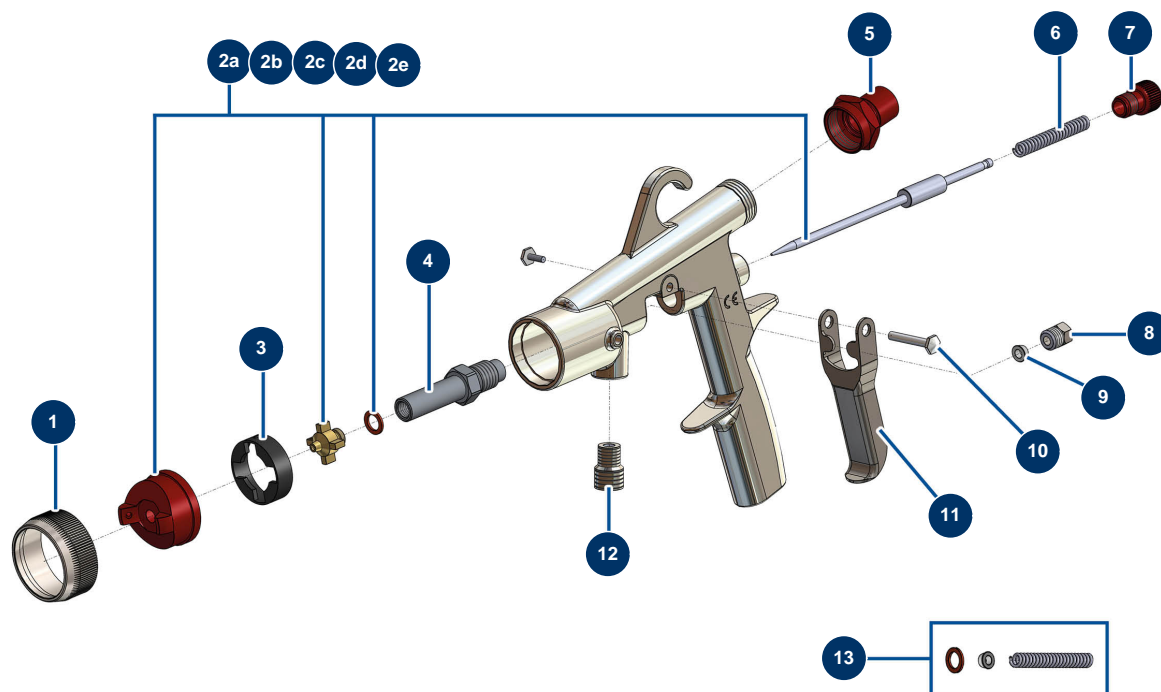


HV240 paint spray-gun for turbine without bowl - General view



Détails des pièces

Pos.	Référence	Désignation
1	AC10786	HV230/240 spray-gun nozzle ring
2a	ACHV050	Ø 0.5 mm atomization kit for HV230 & HV240
2b	ACHV100	Ø 1.0 mm atomization kit for HV230 & HV240
2c	ACHV150	Ø 1.5 mm atomization kit for HV230 & HV240
2d	ACHV250	Ø 2.5 mm atomization kit for HV230 & HV240
2e	ACHV350	Ø 3.5 mm atomization kit for HV230 & HV240
3	1008588	T21/25/152 spray-gun air passage cross
4	AC10788	HV230/240 spray-gun output product tube
5	1020027	Inner threaded chromed male quick-fit coupling 24 x 150
6	AC10792	HV230/240 (x2) spray-gun needle spring
7	AC10842	HV230/240 spray-gun product flow adjustment knob
8	AC10104	HV230/240 spray-gun cable gland nut
9	AC10241	HV230/240 spray-gun gland gasket

Pos.	Référence	Désignation
10	AC10696	AC spray gun complete trigger axis HV230/240, AC20A/25G/35A/40G/55P
11	AC10818	HV230/240 spray-gun trigger
12	AC10270	HV230/240, AC55P spray-gun product inlet coupling
13	AC10827	HV230 spray-gun gasket kit